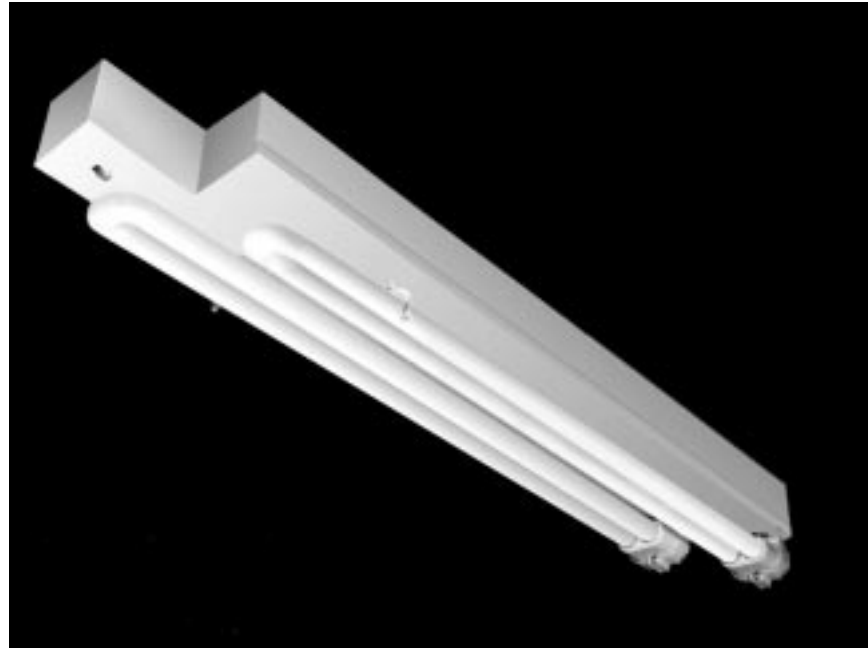


## APPLICATIONS

*A one piece two light compact fluorescent light channel that combines the highly efficient color corrected compact lamp with a housing, that when installed provides a 3" overlap of lamps forming a staggered lighting effect. Dark corners and dark ends are eliminated. Socket shadows and "dead spots" disappear. A tremendous cost saving in labor and energy to electrical contractor and user who here-to-fore had to use single light strips to accomplish the same effect.*

◆ *Use in cornices, alcoves, display areas, coves, soffits, luminous areas, wallwash—where ever continuous lines of unbroken light are required.*



## SPECIFICATIONS

**CONSTRUCTION:** Die formed of 20 gauge cold rolled prime steel, rigidly fabricated, and electrically welded to insure true and perfect alignment.

**MOUNTING:** Installed flush with ceiling surface, coves or stem mounted, singly or in continuous rows. For continuous mounting, end knockouts may be removed and units joined together. Adequate knockouts and holes are provided for mounting and feeds.

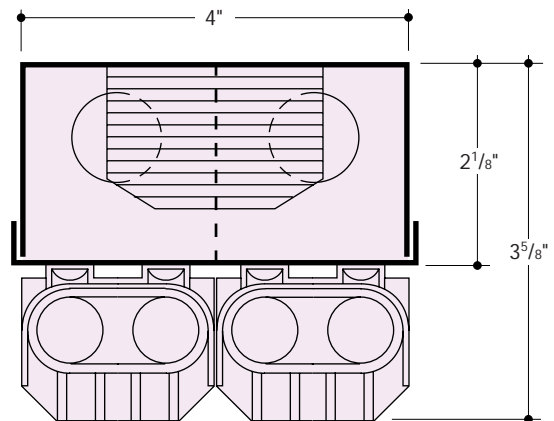
**ELECTRICAL:** Thermally protected Class "P" Energy Saving Rapid / Instant Start HPF 270 MA BIAX (Twin Tube) electronic ballasts for 118V 60 Hz operation standard. Other electronic ballasts, other voltages and frequencies available, consult factory. (See Options listing).

**FINISH:** All steel component parts are completely protected against rust and discoloration after fabrication through an automated conveyerized multi-stage phosphate bonding process. Finished with an electrostatic baked white polyester thermosetting powder coating. This electrostatic computer controlled integrated system assures consistent high reflectance efficiency and maximum durability.

**CERTIFICATION:** The Series 2420BX is U.L. and C.U.L. listed and bears the label of the I.B.E.W./AFL-CIO Local #3.

BIAX™ is a registered trademark of G.E. Lighting.  
LEGION® is a registered trademark of LEGION LIGHTING CO., INC.

◆ Due to the very nature of coves and enclosed areas, the heat ambience temperature must be considered when designing and installing in confined spaces, so that the spaces are adequately ventilated to provide heat dissipation and air circulation to prevent ballast cycling, failure, or reduced ballast and lamp life.



0800

## ORDERING DATA

CAT. NO.	LENGTH	LAMPS	SOCKET SPACING	WT.
2420-2BX39	21"	2-*F39TT/RS	18"	4
◆ 2420-2BX40	27"	◆ 2-*F40TT/RS	24"	5
2420-4BX39	39"	4-*F39TT/RS	18"	11
◆ 2420-4BX40	51"	◆ 4-*F40TT/RS	24"	13
◆ 2420-6BX40	75"	◆ 6-*F40TT/RS	24"	16
◆ 2420-8BX40	99"	◆ 8-*F40TT/RS	24"	22

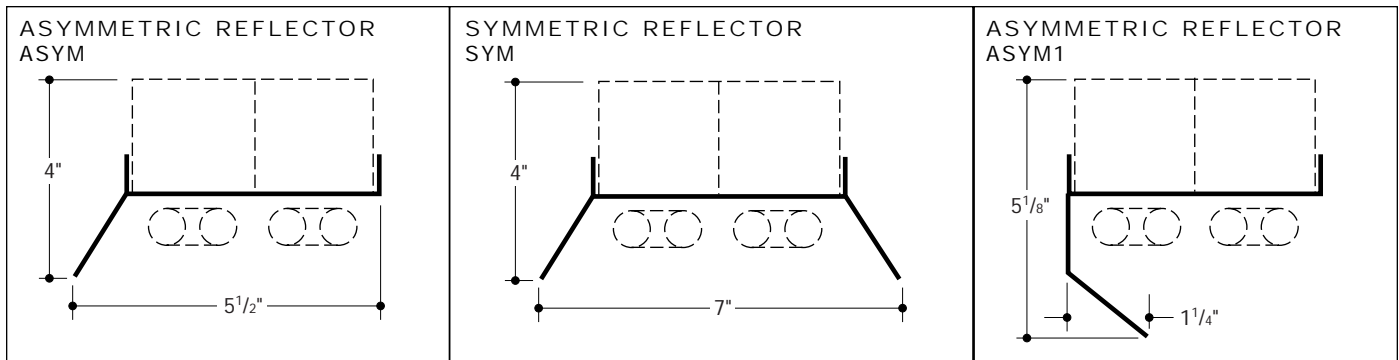
\* F39TT/RS and F40TT/RS is the ANSI designation of various lamp manufacturers, i.e.: G.E. Lighting "BIAX", Phillips "PL", Osram "DULUX L", Sylvania TWIN TUBE.  
 ◆ For F50TT/RS change catalog no. Example: 2420-2BX50 etc., and CONSULT FACTORY.

## OPTIONS

Options/Consult factory  
 DIM – Dimming Ballast  
 EM – Emergency Battery Pack  
 EBDX/EBX – Electronic BIAx Ballast  
 Suffix "XTA" after catalog no. for XTRALUME® reflector standard with 85% reflectance, for 95% reflectance please specify your requirements.  
 Suffix "SYM" after catalog no. for post powder coated white SYMMETRIC reflector.  
 Suffix "ASYM" after catalog no. for post powder coated white ASYMMETRIC reflector.  
 Suffix "ASYM1" after catalog no. for post powder coated white ASYMMETRIC reflector.

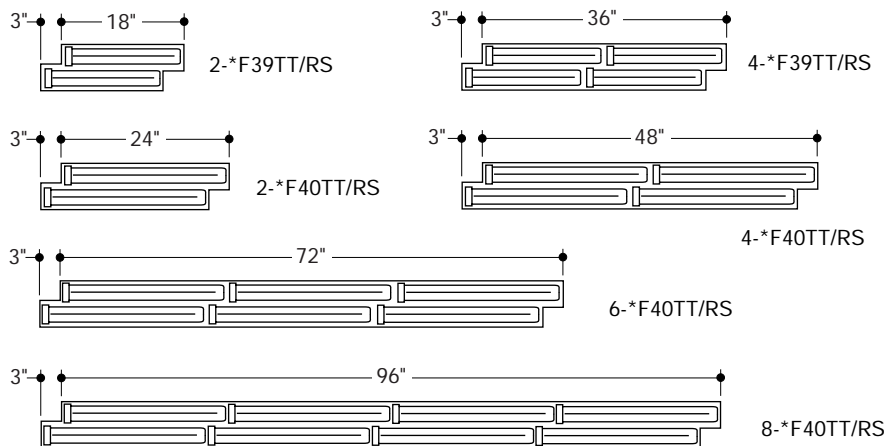
Reflectors available in 41% open perforated metal, specify reflector style i.e.: ASYM-PERF

## REFLECTOR OPTIONS

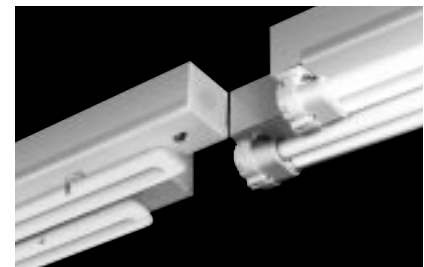


Reflector configurations shown can be modified to specification. Consult factory for minimum quantity order.

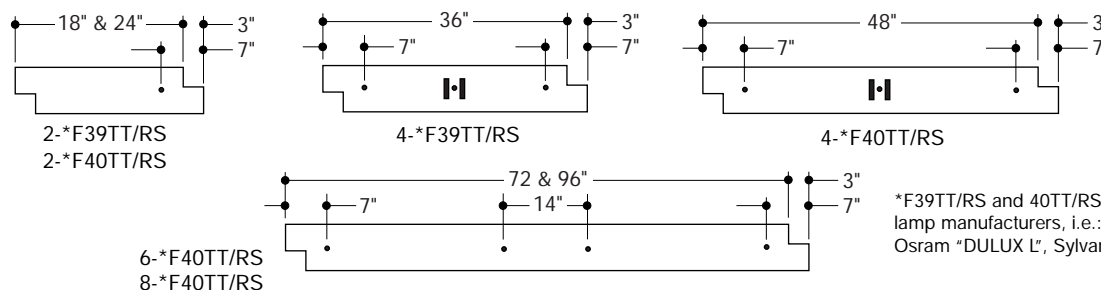
## LAMP ARRANGEMENTS



## JOINING DETAIL



## BACK PLANS



• 7/8" dia. Knockout  
 ■ 2 1/2" x 3/4" K.O.

\*F39TT/RS and 40TT/RS is the ANSI designation of various lamp manufacturers, i.e.: G.E. Lighting "BIAx", Phillips "PL", Osram "DULUX L", Sylvania TWIN TUBE.

FOR PHOTOMETRIC DATA CONSULT FACTORY  
 Information supplied primarily for illustrative purposes, subject to change.  
 Consult factory for verification and minimum quantity orders.