

APPLICATIONS

The MOD-U-BEAM® Direct/Indirect Wall Mounted offers the most effective total lighting combined in one compact package. Blending simplicity, economy and visual comfort. High levels of glare free wide illumination is projected up and down. This makes it ideal for use in Schools, Libraries, Art Galleries, Bank Lobbies, Conference Rooms, Hallways, Atriums, Health Centers and Corporate Offices.



SPECIFICATIONS

CONSTRUCTION: Die formed of code gauge steel, rigidly fabricated, and electrically welded to insure true and perfect alignment.

SOCKET PLATE/REFLECTOR: Die formed of code gauge steel, socket plate mounted securely to fixture housing. Reflector formed to optically correct contour to provide maximum efficiency. XTA-XTRALUME® energy efficient reflector available, (see OPTIONS listing).

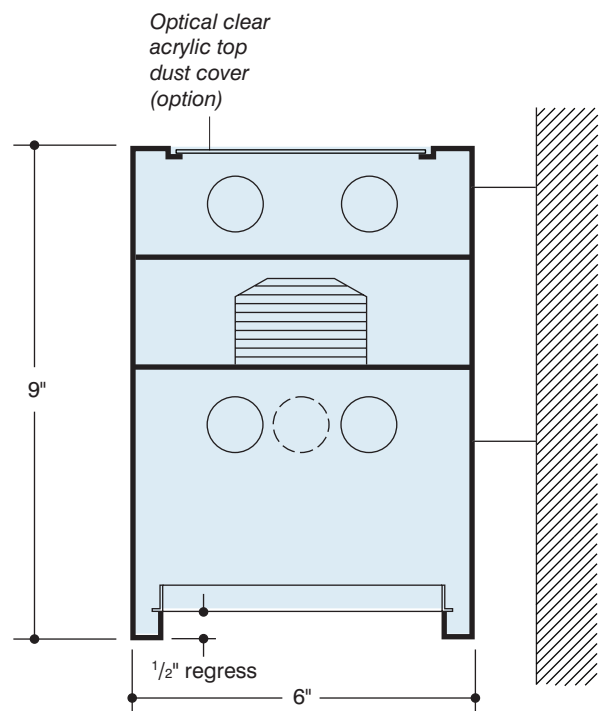
DIFFUSER: Tip-Tilt diffuser for removal, relamping and servicing. Refer to Shielding Media for types available. Regressed 1/2".

ELECTRICAL: 1 and 2 lamp T5 electronic program start 450MA for 14W, 28W and 460MA to 300MA for 24W and 54W T5HO, or 1, 2 and 3 lamp Octic T8 265MA electronic instant start ballasts, or Rapid Start HPF 270MA Biax lamps. High power factor, Class A sound rated <10% THD (less than 10% Total Harmonic Distortion). U.L., CSA, FCC listed Type 1 for multi-voltage 120/277 50/60Hz operation. Other voltages and frequencies available, CONSULT FACTORY.

MOUNTING: Installed on wall by means of Heavy Duty 4 1/2" x 4 1/2" x 1" Mounting Brackets. Two are provided on 2', 3' and 4' units. Three brackets are provided for 6' and 8' units. Units can be mounted singly or in continuous rows. For continuous mounting, knockouts are removed in end cap and units joined together.

FINISH: All steel component parts are completely protected against rust and discoloration after fabrication through an automated conveyerized multi-stage phosphate bonding process. Finished with an electrostatic baked white polyester thermosetting powder coating. This electronic computer controlled integrated system assures consistent 88%+ reflectance efficiency and maximum durability. (Other painted finishes available to specification at additional cost, consult factory and supply color chip).

CERTIFICATION: The Mod-U-Beam® Series WDID609 is U.L. and C.U.L. listed and bears the label of the I.B.E.W./AFL-CIO, Local #3.



MOD-U-BEAM®, XTRALUME® and LEGION® are registered trademarks of LEGION LIGHTING CO., INC.

ORDERING DATA

Catalog No.	Lamp Configuration	No. and Type Lamps	Wt.	Length
WDID609-1UP214	● 1UP, 1 DOWN	2-F14-T5	20	24"
WDID609-1UP224HO		2-F24HO-T5		
WDID609-1UP217 EBO		2-F017-OCT-T8		
WDID609-1UP314	●● 1UP, 2 DOWN	3-F14-T5	23	24"
WDID609-1UP324HO		3-F24HO-T5		
WDID609-1UP317 EBO		3-F017-OCT-T8		
WDID609-2UP314	●● 2UP, 1 DOWN	3-F14-T5	27	24"
WDID609-2UP324HO		3-F24HO-T5		
WDID609-2UP317 EBO		3-F017-OCT-T8		
WDID609-2UP414	●● 2UP, 2 DOWN	4-F14-T5	30	24"
WDID609-2UP424HO		4-F24HO-T5		
WDID609-2UP417 EBO		4-F017-OCT-T8		
WDID609-1UP221	● 1UP, 1 DOWN	2-F21-T5	30	36"
WDID609-1UP239HO		2-F39HO-T5		
WDID609-1UP225 EBO		2-F025-OCT-T8		
WDID609-1UP321	●● 1UP, 2 DOWN	3-F21-T5	33	36"
WDID609-1UP339HO		3-F39HO-T5		
WDID609-1UP325 EBO		3-F025-OCT-T8		
WDID609-2UP321	●● 2UP, 1 DOWN	3-F21-T5	33	36"
WDID609-2UP339HO		3-F39HO-T5		
WDID609-2UP325 EBO		3-F025-OCT-T8		
WDID609-2UP421	●● 2UP, 2 DOWN	4-F21-T5	35	36"
WDID609-2UP439HO		4-F39HO-T5		
WDID609-2UP425 EBO		4-F025-OCT-T8		
WDID609-1UP228	● 1UP, 1 DOWN	2-F28-T5	35	48"
WDID609-1UP254HO		2-F54HO-T5		
WDID609-1UP232 EBO		2-F032-OCT-T8		
WDID609-1UP328	●● 1UP, 2 DOWN	3-F28-T5	38	48"
WDID609-1UP354HO		3-F54HO-T5		
WDID609-1UP332 EBO		3-F032-OCT-T8		
WDID609-2UP328	●● 2UP, 1 DOWN	3-F28-T5	38	48"
WDID609-2UP354HO		3-F54HO-T5		
WDID609-2UP332 EBO		3-F032-OCT-T8		
WDID609-2UP428	●● 2UP, 2 DOWN	4-F28-T5	38	48"
WDID609-2UP454HO		4-F54HO-T5		
WDID609-2UP432 EBO		4-F032-OCT-T8		
WDID609-1UP221-6T	● 1UP, 1 DOWN	4-F21-T5	57	72"
WDID609-1UP239HO-6T		4-F39HO-T5		
WDID609-1UP225-6T EBO		4-F025-OCT-T8		
WDID609-1UP321-6T	●● 1UP, 2 DOWN	6-F21-T5	60	72"
WDID609-1UP339HO-6T		6-F39HO-T5		
WDID609-1UP325-6T EBO		6-F025-OCT-T8		
WDID609-2UP321-6T	●● 2UP, 1 DOWN	6-F21-T5	63	72"
WDID609-2UP339HO-6T		6-F39HO-T5		
WDID609-2UP325-6T EBO		6-F025-OCT-T8		
WDID609-2UP421-6T	●● 2UP, 2 DOWN	8-F21-T5	67	72"
WDID609-2UP439HO-6T		8-F39HO-T5		
WDID609-2UP425-6T EBO		8-F025-OCT-T8		
WDID609-1UP228-8T	● 1UP, 1 DOWN	4-F28-T5	70	96"
WDID609-1UP254HO-8T		4-F54HO-T5		
WDID609-1UP232-8T EBO		4-F032-OCT-T8		
WDID609-1UP328-8T	●● 1UP, 2 DOWN	6-F28-T5	73	96"
WDID609-1UP354HO-8T		6-F54HO-T5		
WDID609-1UP332-8T EBO		6-F032-OCT-T8		
WDID609-2UP328-8T	●● 2UP, 1 DOWN	6-F28-T5	73	96"
WDID609-2UP354HO-8T		6-F54HO-T5		
WDID609-2UP332-8T EBO		6-F032-OCT-T8		
WDID609-2UP428-8T	●● 2UP, 2 DOWN	8-F28-T5	73	96"
WDID609-2UP454HO-8T		8-F54HO-T5		
WDID609-2UP432-8T EBO		8-F032-OCT-T8		

OPTIONS

Suffix "LT" after catalog no. for cold weather ballast.
 Suffix "EM" after cat. no. for emerg. battery pack, and see price list for types.
 Suffix "DL" after catalog no. for damp location.
 Suffix "CAP" after catalog no. for clear acrylic plastic top dust cover.
 Suffix "XTA" after cat. no. for XTRALUME® reflector standard with 85% reflectance, for 95% reflectance please specify your requirements.

DIMMING BALLASTS

Suffix "EBDO" after catalog no. for T8 dimming ballast.
 Suffix "EBDP" after catalog no. for T5 dimming ballast.
 Suffix "EBDX" after catalog no. for BIAx Twin-Tube dimming ballast.
 Suffix "EBDOA" after cat. no. for electronic dimming ballast ADVANCE MARK X.
 Suffix "H3D" after catalog no. for LUTRON HI-LUME 3D dimming ballast.
 Suffix "ECO-5" after catalog no. for LUTRON ECOSYSTEM.
 Suffix "EH" after catalog no. for ECOSYSTEM H Series.

ELECTRONIC BALLASTS

"EBO"- Electronic T8 Octron ballast.
 "EBX"- Electronic (BIAx) Twin-Tube ballast.
 Electronic T5/T5HO ballast

OTHER DIMMING AND PROGRAM START BALLASTS ARE AVAILABLE, CONSULT FACTORY.

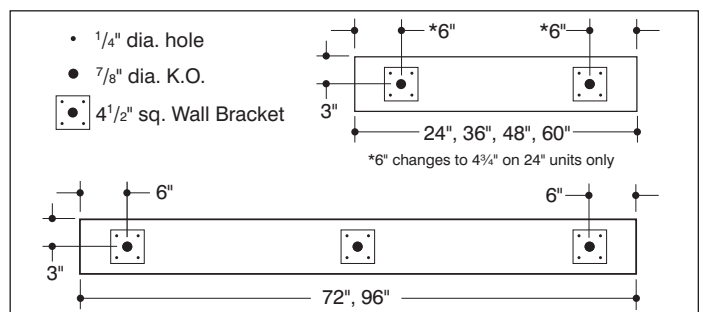
Legion is a Lutron® Silver Partner

Lutron® is a registered trademark of Lutron Electronics

SHIELDING MEDIA

Type (LB) 3/4" x 3/4" 45° cutoff - lateral blade aluminum louver - white.
 Type (PAB) 2" x 1 1/4" - 35° cutoff - parabolic semi-spec. silver lateral blade aluminum louver.
 Type (P95W) frosted acrylic.
 Type (P95C) clear acrylic with 95% transmission.
 Type (AL) 1/2" cube aluminum louver - white.
 Type (PL) 1/2" cube styrene louver - white.
 Type (PLA) 1/2" cube acrylic louver - white.
 Type (BB) 1" x 1" 45° cutoff - bold baffle - lateral blade louver - white.
 Type (AF) 3/4" cube angleflex - specular silver louver.
 Type (PAF) 3/8" cube Paraflex specular silver styrene louver.
 Type (PAFA) 5/8" cube Paraflex specular silver acrylic louver.
 Type (PW) 1/2" cube Parawedge specular silver styrene louver.
 Type (PWA) 1/2" cube Parawedge specular silver acrylic louver.
 Type (PAFIVA) 3/4" x 3/4" x 1/2" deep Paraflex specular silver acrylic louver.
 Type (PL3A) 3/4" x 3/4" x 1/2" deep high efficiency specular silver acrylic louver.
 Type (PL5A) 3/4" x 3/4" x 3/8" deep high efficiency specular silver acrylic louver.
 Type (RFA) acrylic plastic refractor, Pattern 12.
 Type (K19A) KSH K19 acrylic lens.
 Type (FA) flat white acrylic.
 Type (GRA) glass fiber - reinforced white acrylic.

MOUNTING LOCATIONS



Information supplied primarily for illustrative purposes, subject to change. Consult factory for verification and minimum quantity orders.

PHOTOMETRICS — CONSULT FACTORY

MATCHING 5' UNITS AVAILABLE, CONSULT FACTORY FOR AVAILABILITY AND MINIMUM QUANTITY ORDER.

EXTENSION BOXES: For Corner Boxes, Extensions, Fillers and Angles CONSULT FACTORY.

Other exterior finishes available (white standard) consult factory.

NOTE: T12, SLIMLINE AND BIAx LAMPS AVAILABLE, CONSULT FACTORY.

OCTRON™ is a registered trademark of SYLVANIA
 BIAx™ is a registered trademark of General Electric Co.