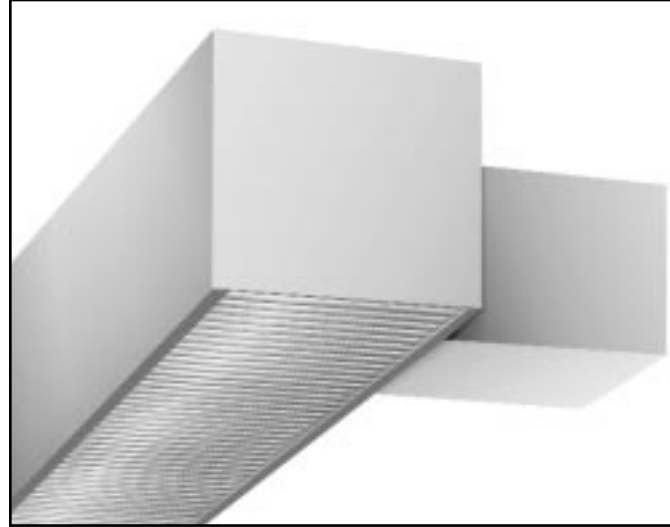


## APPLICATIONS

The MOD-U-BEAM® CHALKBOARD Series WCB606 with offset lamp and asymmetric lens delivers light to vertical surfaces where it is needed. High efficiency with brightness control makes for a combination hard to beat.

MOD-U-BEAM® CHALKBOARD, the specifier's choice for SCHOOLS, CONFERENCE CENTERS, HOSPITALS, CONFERENCE ROOMS, wherever a vertical task demands.



## SPECIFICATIONS

**CONSTRUCTION:** Die formed of 20 gauge cold rolled prime steel, rigidly fabricated, and electrically welded to insure true and perfect alignment.

**DIFFUSER:** Tip-Tilt diffuser for removal, relamping and servicing.

**SOCKET PLATES:** Die formed of code gauge steel and mounted securely to fixture housing and readily removable for socket maintenance.

**REFLECTOR:** Die formed of code gauge steel and mounted securely to fixture housing. CAD/CAM designed to optically correct contour to provide precise light distribution with maximum efficiency, removable to access wiring. XTA-XTRALUME® energy efficient reflector available (see OPTIONS).

**DIFFUSER:** Holophane no. 6044 asymmetric injection molded acrylic lens, provides asymmetric distribution towards the wall.

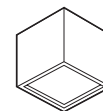
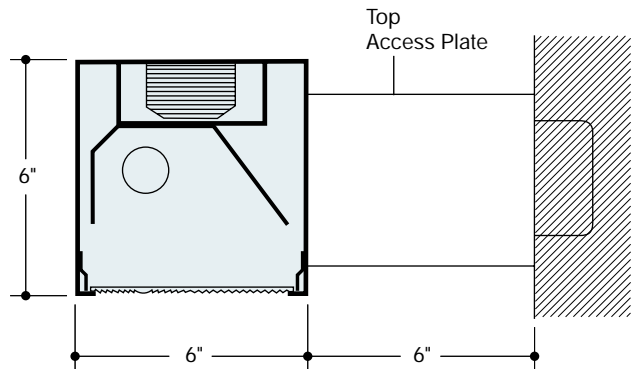
**ELECTRICAL:** Thermally protected Class "P" Energy Saving Rapid/Instant Start HPF 270MA Biax (Twin Tube), 265MA-T8 electronic ballasts, 430MA Rapid Start HPF magnetic ballasts for 118V 60 Hz operation standard. Other electronic ballasts, other voltages and frequencies available, consult factory. (See OPTIONS).

**FINISH:** All steel component parts are completely protected against rust and discoloration after fabrication through an automated conveyerized multi-stage phosphate bonding process. Finished with an electrostatic baked white polyester thermosetting powder coating. This electronic computer controlled integrated system assures consistent 88%+ reflectance efficiency and maximum durability. Other colors available, see color chart and CONSULT FACTORY.

**MOUNTING:** Installed on wall by means of Heavy Duty 4 1/2" x 4 1/2" x 6" Mounting Brackets. Two are provided on 2', 3', 4' and 5' units. Three brackets are provided for 6' and 8' units. Units can be mounted singly or in continuous rows. For continuous mounting, knockouts are removed in end cap and units joined together.

**CERTIFICATION:** The Mod-U-Beam® Series WCB606 luminaire is U.L. and C.U.L. listed and bears the label of the I.B.E.W./AFL-CIO, Local #3.

MOD-U-BEAM®, XTRALUME® and LEGION® are registered trademarks of LEGION LIGHTING CO., INC.



**MATCHING  
CORNER BOX**  
6" x 6" x 6"  
WCB606-CB

ORDERING DATA

Catalog No.	No. and Type Lamps	Width	Length	Weight
WCB606-117-H044 EBO	1-F017-OCT-T8	6"	24"	15
WCB606-125-H044 EBO	1-F025-OCT-T8	6"	36"	19
WCB606-132-H044 EBO	1-F032-OCT-T8	6"	48"	23
WCB606-160-H044 EBO	1-F040-OCT-T8	6"	60"	32
WCB606-125-6T-H044 EBO	2-F025-OCT-T8	6"	72"	38
WCB606-132-8T-H044 EBO	2-F032-OCT-T8	6"	96"	42

UNITS FOR BIAX LAMPS – CONSULT FACTORY.

EXTENSION BOXES: For Corner Box, Extensions, Fillers and Angles, CONSULT FACTORY.

OPTIONS

Suffix "DIM" after catalog no. for dimming ballast.  
 Suffix "LT" after catalog no. for cold weather ballast.  
 Suffix "EM" after cat. no. for emerg. battery pack, see price list for types.  
 Suffix "DL" after catalog no. for damp location.  
 Suffix "FILT" after catalog no. for radio interference filter.  
 Suffix "FB" after catalog no. for fuse and fuseholder.  
 Suffix "XTA" after catalog no. for XTRALUME® reflector std. with 85% reflectance, for 95% reflectance please specify your requirements.

**ENERGY SAVING BALLASTS** Where applicable (consult factory).  
 Suffix "ESB" after catalog number, then / and one of the following:

**ELECTRONIC**

"EBX"-Electronic (BIAX) Twin Tube Ballast  
 "EBDX"-Electronic (BIAX) Twin Tube Dimming Ballast  
 "EBDP"-Electronic T5 Dimming Ballast

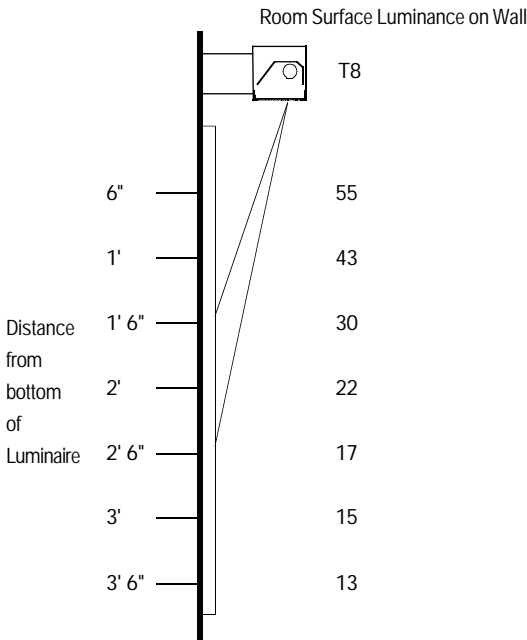
PHOTOMETRIC DATA

**VERTICAL FOOTCANDLES:** Values calculated using Lumen-Micro 7.5 at center of 12-foot row mounted 7' above the floor.

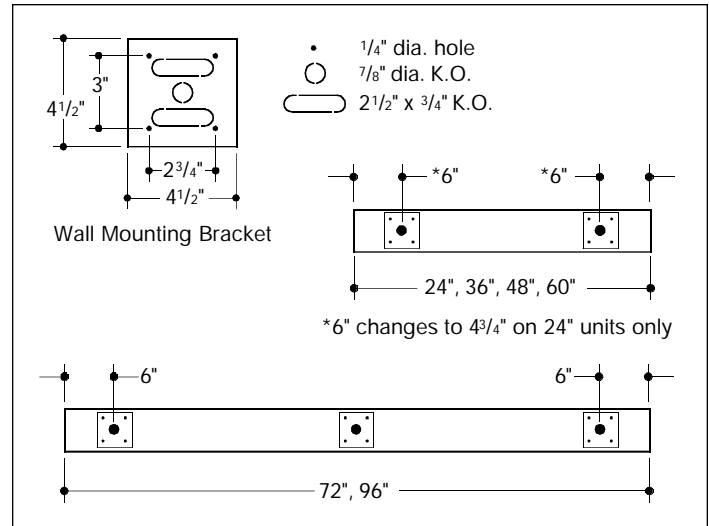
**ROOM SIZE:** 8' x 12' x 9' high.

**REFLECTANCES:** 80/70/20, 30% Chalkboard.

**TOTAL LIGHT LOSS FACTOR:** .72



BACK PLANS



Information supplied primarily for illustrative purposes, subject to change.  
 Consult factory for verification and minimum quantity orders. Photometrics and/or performance summaries for your particular layout available, consult factory.