

APPLICATIONS

- Conference Rooms*
- Bank Lobbies*
- Libraries*
- Schools*
- Atriums*
- Hallways*
- Health Centers*
- Corporate Offices*
- Art Galleries*



SPECIFICATIONS

CONSTRUCTION: Die formed of 20 gauge cold rolled prime steel, rigidly fabricated, and electrically welded to insure true and perfect alignment.

DIFFUSER: Tip-Tilt diffuser for removal, relamping and servicing. Refer to Shielding Media for types available. Regressed 1/2".

SOCKET PLATES: Die formed of code gauge steel and mounted securely to fixture housing and readily removable for socket maintenance. (Adjustable for 7 1/2" or 12 1/2" beam offset - wall wash lens units only).

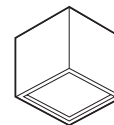
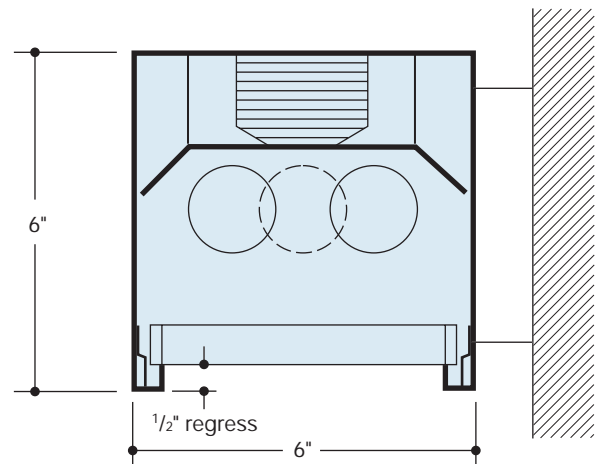
REFLECTOR: Die formed of code gauge steel and securely mounted to fixture housing. CAD/CAM designed to optically correct contour to provide precise light distribution with maximum efficiency, removable to access wiring. XTA-XTRALUME® energy efficient reflector available (see OPTIONS).

ELECTRICAL: Thermally protected class "P" Energy Saving Instant Start HPF 265MA-T8 electronic ballasts standard for 118V 60 Hz operation. Other ballasts, voltages and frequencies available, consult factory.

FINISH: All steel component parts are completely protected against rust and discoloration after fabrication through an automated conveyORIZED multistage phosphate bonding process. Finished with an electrostatic baked white polyester thermosetting powder coating. This electronic computer controlled integrated system assures consistent 88%+ reflectance efficiency and maximum durability. Other colors available, see color chart and CONSULT FACTORY.

MOUNTING: Installed on wall by means of Heavy Duty Mounting Brackets, 4 1/2" x 4 1/2" x 1". Two are provided on 2', 3', 4' and 5' units. Three brackets are provided for 6' and 8' units. Units can be mounted singly or in continuous rows. For continuous mounting, knockouts are removed in end cap and units joined together.

CERTIFICATION: The Mod-U-Beam® Series W607 luminaire is U.L. and C.U.L. listed and bears the label of the I.B.E.W./AFL-CIO, Local #3.



**MATCHING
CORNER BOX**
6" x 6" x 6"
W607-CB

MOD-U-BEAM®, XTRALUME® and LEGION® are registered trademarks of LEGION LIGHTING CO., INC.

ORDERING DATA

Catalog No.	No. and Type Lamps	Width	Length
W607-117 EBO	1-FO17-OCT-T8	6"	24"
W607-217 EBO	2-FO17-OCT-T8		
W607-125 EBO	1-FO25-OCT-T8	6"	36"
W607-225 EBO	2-FO25-OCT-T8		
W607-132 EBO	1-FO32-OCT-T8	6"	48"
W607-232 EBO	2-FO32-OCT-T8		
W607-160 EBO	1-FO40-OCT-T8	6"	60"
W607-260 EBO	2-FO40-OCT-T8		
W607-125-6T EBO	2-FO25-OCT-T8	6"	72"
W607-225-6T EBO	4-FO25-OCT-T8		
W607-132-8T EBO	2-FO32-OCT-T8	6"	96"
W607-232-8T EBO	4-FO32-OCT-T8		
W607-196SL EBO	1-FO96-OCT-T8		
W607-296SL EBO	2-FO96-OCT-T8		
W607-196-16TSL EBO	2-FO96-OCT-T8	6"	*192"
W607-CB, Corner Box	NONE	6"	6"

UNITS FOR BIAx LAMPS - CONSULT FACTORY

EXTENSION BOXES: For Corner Box, Extensions, Fillers and Angles
CONSULT FACTORY.

* Housing supplied in 2 equal sections, coupled together in field by installing contractor.

OPTIONS

- Suffix "DIM" after catalog no. for dimming ballast.
- Suffix "LT" after catalog no. for cold weather ballast.
- Suffix "EM" after cat. no. for emerg. battery pack, see price list for types.
- Suffix "DL" after catalog no. for damp location.
- Suffix "XTA" after catalog no. for XTRALUME® silver reflector standard with 85% reflectance, for 95% reflectance please specify your requirements.
- Consult factory for availability and minimum quantity order.

ENERGY SAVING BALLASTS Where applicable (consult factory).
Suffix "ESB" after catalog number, then / and one of the following:

MAGNETIC

"OCT"-Octron T8 Ballast

ELECTRONIC

"EB"-Electronic T12 Ballast

"EBO"-Electronic T8 Octron Ballast

"EBDO"-Electronic T8 Dimming Ballast

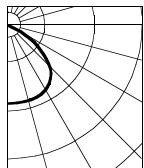
SHIELDING MEDIA

- Type (LB) 3/4" x 3/4" 45° cutoff - lateral blade louver - white.
- Type (PAB) 2" x 1 1/4" - 35° cutoff - parabolic semi-spec. silver lateral blade louver.
- Type (AL) 1/2" cube aluminum louver - white.
- Type (PL) 1/2" cube styrene louver - white.
- Type (PLA) 1/2" cube acrylic louver - white.
- Type (BB) 1" x 1" 45° cutoff - bold baffle - lateral blade louver.
- Type (AF) 3/4" cube angleflex - specular silver louver.
- Type (PAF) 5/8" cube Paraflex specular silver louver - styrene.
- Type (PAFA) 5/8" cube Paraflex specular silver louver - acrylic.
- Type (PW) 1/2" cube Parawedge specular silver louver - styrene.
- Type (PWA) 1/2" cube Parawedge specular silver louver - acrylic.
- Type (PAFIVA) 3/4" x 3/4" x 1/2" deep Paraflex specular silver louver-acrylic.
- Type (PL3A) 3/4" x 3/4" x 1/2" deep high efficiency spec. silver louver acrylic.
- Type (PL5A) 3/4" x 3/4" x 3/8" deep high efficiency spec. silver louver acrylic.
- Type (RFA) acrylic plastic refractor.
- Type (K19A) KSH K19 acrylic lens.
- Type (FA) flat white acrylic.
- Type (GRA) glass fiber - reinforced acrylic.
- *Type (H044) Holophane 6044 acrylic wall wash lens.
- *Type (ASY) Plaskolite acrylic wall wash lens.
- *Type (K3E) KSH asymmetric wall wash lens.

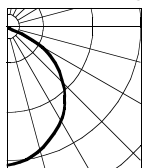
*Wall wash adjustable socket plate supplied in 1-lamp units only.
Not available in SL and HO sizes.

PHOTOMETRICS

CANDLEPOWER DISTRIBUTION



1 LAMP



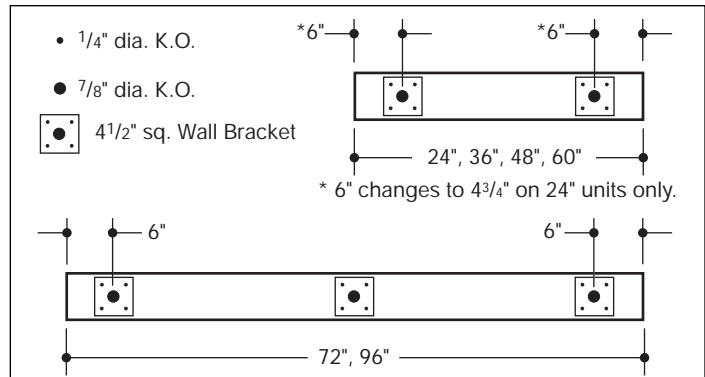
2 LAMPS

COEFFICIENTS OF UTILIZATION

Chart is for 1 lamp fixture with baffle. For 2 lamps multiply values by .95 (Using 40 watt lamps).

Floor	20%									
	80%			50%			30%			
Ceiling	70%	50%	30%	10%	50%	30%	10%	50%	30%	10%
RCR	ZONAL CAVITY METHOD									
1	.62	.60	.59	.57	.57	.56	.54	.55	.54	.53
2	.58	.54	.50	.48	.51	.48	.46	.49	.47	.45
3	.53	.48	.45	.42	.46	.43	.41	.45	.42	.40
4	.49	.44	.40	.37	.42	.39	.36	.41	.38	.36
5	.46	.40	.35	.32	.38	.34	.32	.37	.34	.30
6	.43	.36	.32	.28	.35	.30	.28	.34	.30	.27
7	.40	.33	.28	.25	.32	.27	.25	.30	.27	.24
8	.37	.29	.25	.22	.28	.25	.22	.26	.24	.22
9	.34	.27	.22	.20	.26	.22	.19	.25	.22	.19
10	.32	.24	.20	.18	.24	.20	.18	.23	.20	.18

BACK PLANS



Information supplied primarily for illustrative purposes, subject to change. Consult factory for verification and minimum quantity orders.