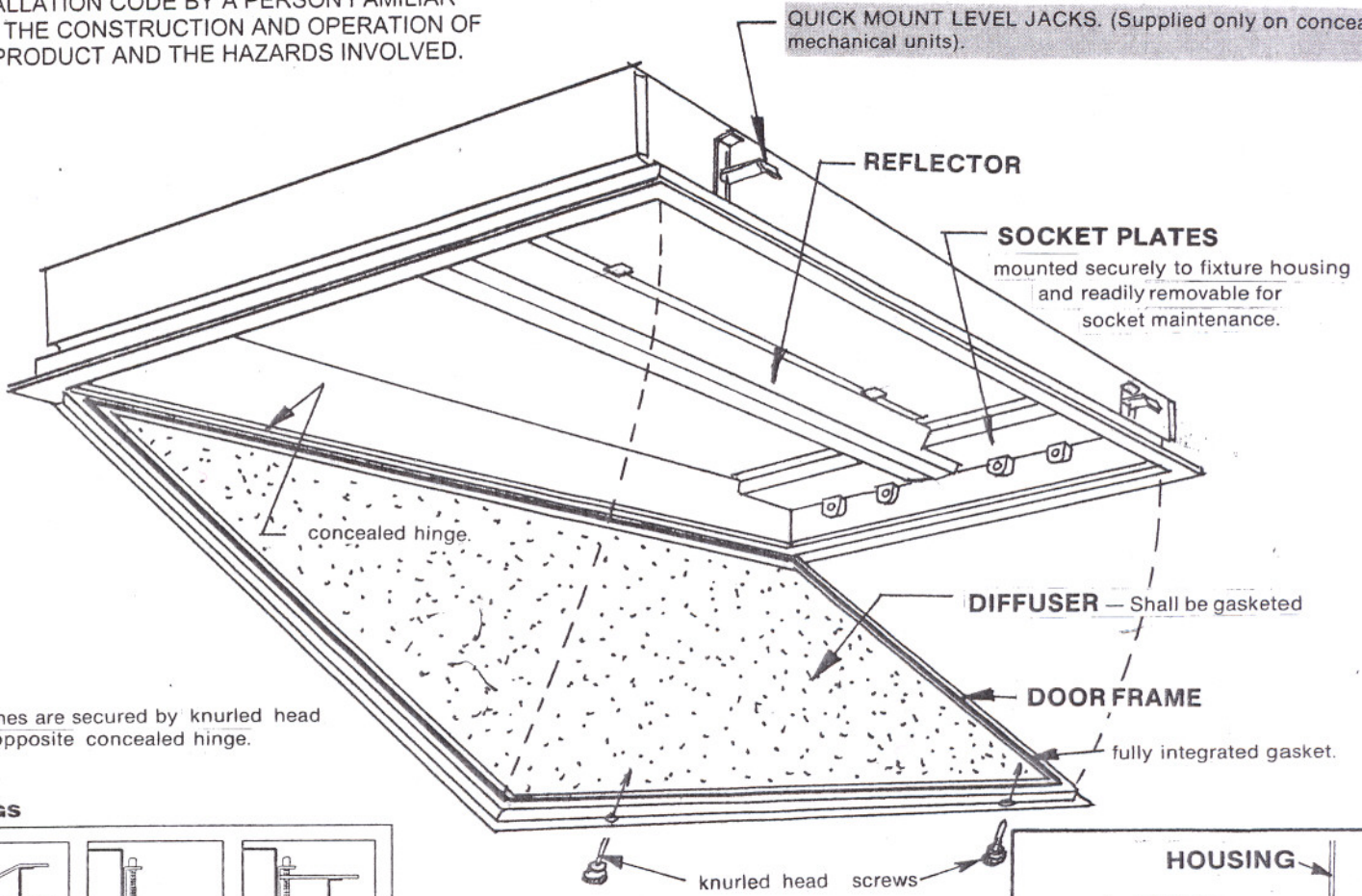


INSTRUCTION SHEET

SECURLUME™

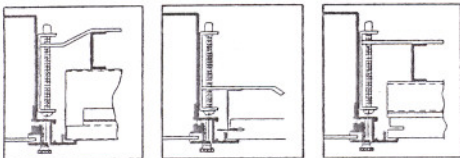
TM - Trademark of Legion Lighting Co., Inc.

WARNING: THIS PRODUCT MUST BE INSTALLED IN ACCORDANCE WITH THE APPLICABLE INSTALLATION CODE BY A PERSON FAMILIAR WITH THE CONSTRUCTION AND OPERATION OF THE PRODUCT AND THE HAZARDS INVOLVED.



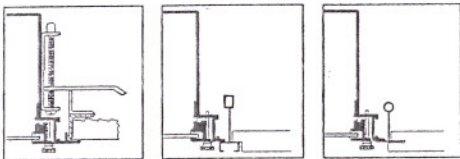
Door frames are secured by knurled head screws opposite concealed hinge.

CEILING



** Simplex Metal Pan Type "F" Flanged
* Concealed "Z" Bar Type "F" Flanged
** Armstrong ATS Type "F" Flanged

* "Z" BARS MUST FACE OUTWARD FROM TROFFER.
** SNAP BAR MUST RUN PERPENDICULAR TO FIXTURE SIDE-MOUNT ON BLACK IRON.



Wet Plaster Type "F" Flanged
Fine Line Type "J" Lay-In
Exposed "T" Bar/ Concealed "T" Bar Type "J" Lay-In

- + Type (F) Wet plaster ceiling. (Requires plaster frame, specify separately) suffix PF.
- + Type (F) Concealed "Z" spline ceiling, Z splines must face outward from troffer.
- + Type (F) Metal Pan Simplex Ceiling - snap bar must run perpendicular to side of troffer - mount on black iron.
- + Type (F) Armstrong ATS - snap bar must run perpendicular to side of troffer - Mount on black iron.
- ++ Type (J) Exposed inverted "T", ceiling.
- ++ Type (J) Concealed inverted "T", ceiling.
- ++ Type (J) Exposed inverted "T", Tegular ceiling.
- ++ Type (J) Exposed inverted "T", Fineline ceiling. (Requires Fineline clips) Suffix FLC.

- ++ Flanged troffers provided with Quick Mount leveling jacks.
- ++ The corners of the ceiling opening should be well supported to withstand the weight of the troffer.

TO INSTALL DOOR:

Refer to FIGURE 1, door must be held at 90° to TRIM and hooked onto the lip of the TRIM as shown in FIGURE 1.

Swing door into closed position being sure to keep concealed hinge hooked onto TRIM as the door is being moved up into the closed position. Then secure closed with the knurled screws.

ALSO REFER TO REVERSE SIDE OF THIS PAGE.

MOUNTING: Designed to integrate into most standard ceilings. Quick Mount Leveling Jacks are supplied which are designed to mount on the ceiling supporting system on concealed mechanical Flanged Trim units, metal pan, sheet rock, or wet plaster ceilings. For grid type ceilings, unit rests on the flanges of the exposed spline or tee. Fine Line Clips are supplied on units used in Donn Fine type ceilings. The corners of the fixture opening should be well supported to withstand the weight of the troffer. See ceilings and specify type. Knockouts provided on back and ends for feeding - continuous runs advise factory.

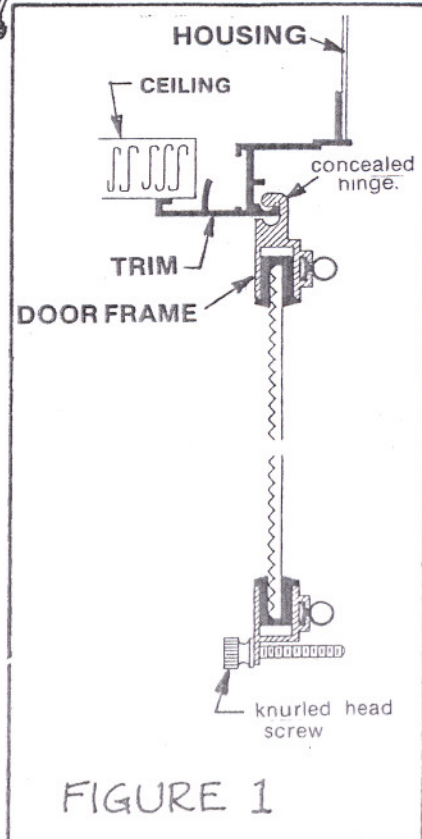


FIGURE 1

OVER →

IS1018

DOOR CLOSING PROCEDURE

