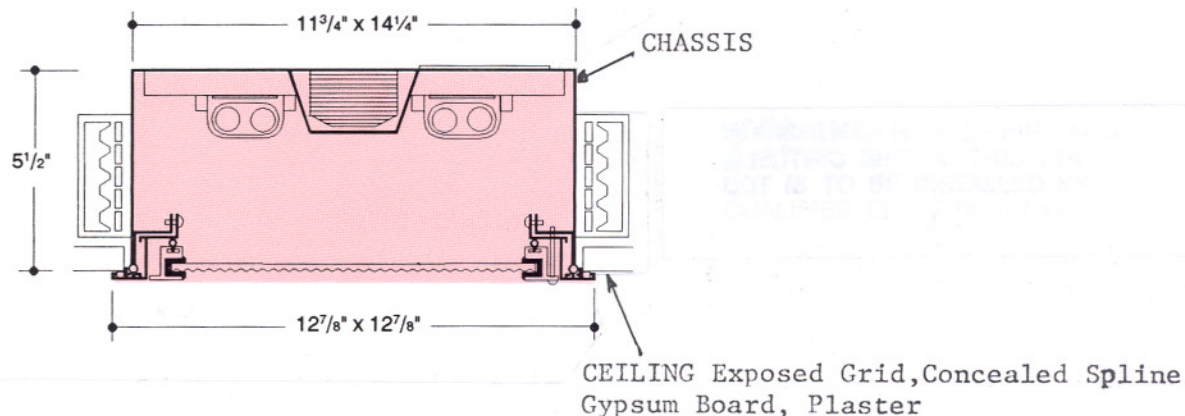


INSTALLATION OF SEURLUME / "CCV" COMPACT CUBE
1 X 1 FLUORESCENT FIXTURE

READ AND UNDERSTAND THESE INSTRUCTIONS BEFORE INSTALLING FIXTURE

This fixture is intended for installation in accordance with the National Electrical Code and local regulations. To assure full compliance with local codes and regulations; check with your local electrical inspector before installation. To prevent electrical shock, turn off electricity at fuse box before proceeding. This fixture is suitable for **Wet/Damp Locations**

RETAIN THESE INSTRUCTIONS FOR MAINTENANCE REFERENCE.



A. INSTALL FIXTURE USING ADJUSTABLE MOUNTING BRACKET

Install CHASSIS before CEILING is finished.

- a. With MOUNTING BAR (order seperately) 18"-Cat. No. MB18
27" Cat. No. MB27, using rectangular slots as shown

WARNING: THIS PRODUCT MUST BE INSTALLED IN ACCORDANCE WITH THE APPLICABLE INSTALLATION CODE BY A PERSON FAMILIAR WITH THE CONSTRUCTION AND OPERATION OF THE PRODUCT AND THE HAZARDS INVOLVED.

- b. With 3/4" CHANNEL (by others)

- c. With 1 1/2" CHANNEL (by others)

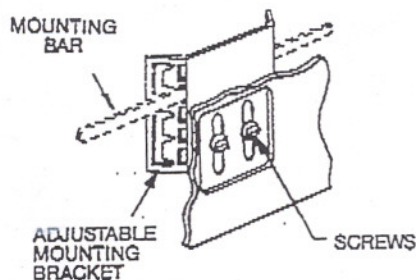


FIG. 2

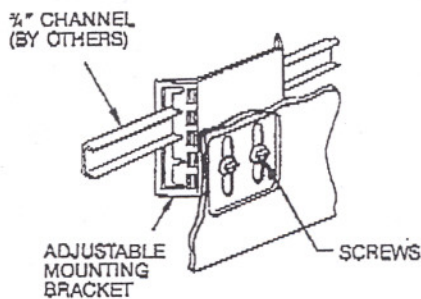


FIG. 3

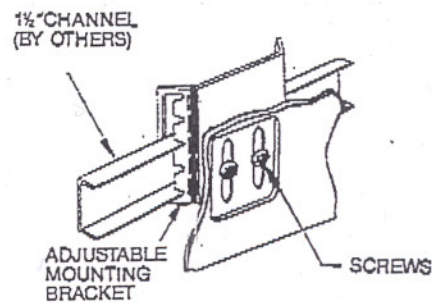


FIG. 4

B. ADJUST CHASSIS

For installation in both dry ceilings and plaster, CHASSIS must be set so that the bottom edge is flush with the finished ceiling, as shown on Fig. 5.

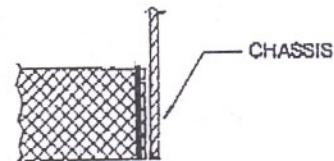


FIG. 5

- NOTE: 1. Final vertical adjustment can be made by means of MOUNTING BRACKET SCREWS (Fig.2) on side of CHASSIS.
2. To insure proper installation, it is important that the CHASSIS always be secured to structural ceilings members .

C. WIRING

WARNING: TO AVOID A POTENTIAL ELECTRICAL SHOCK, BE SURE CIRCUIT IS SWITCHED OFF BEFORE PROCEEDING.

1. Remove access plate and attach flexible conduit containing supply leads and ground wire (Fig. 6)
2. Make wiring connections. Observe wiring polarity, white to white, black to black and green (or bare lead) to ground screw provided on access plate.
3. Tuck wiring into CHASSIS.
4. Insert tab on access plate into one end of opening and fasten other end with fastening screw.

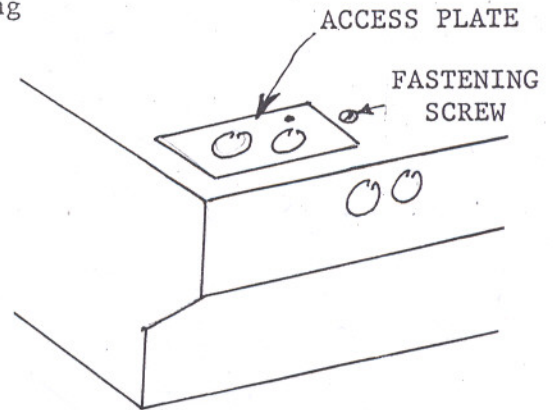


FIG. 6

D. INSTALLATION OF TRIM AND DOOR ASSEMBLY (FIG. 7 & 8)

1. With door in hinged position, insert assembly into chassis. Line up holes in trim frame with holes in trim & door retaining rails. Insert screws "A" into holes and screw in tightly.
2. Lamp fixture and hinge door into closed position and secure with 2 screws supplied.

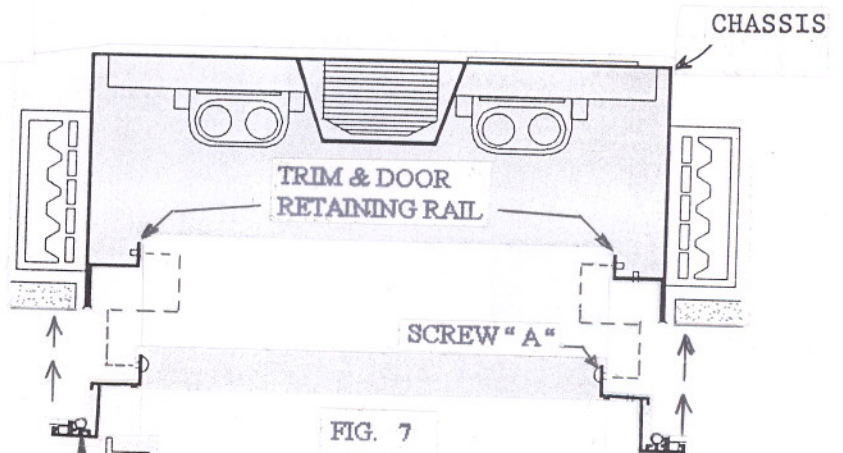


FIG. 7

TRIM & DOOR ASSY.

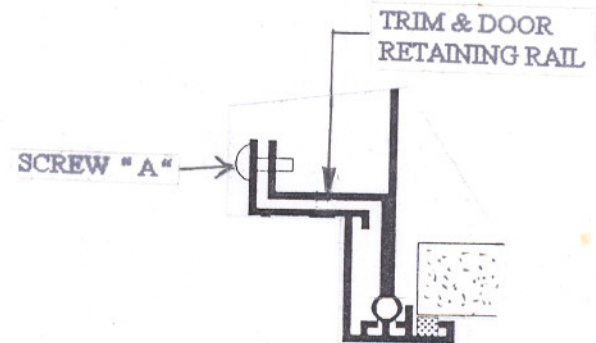


FIG. 8

TO CLEAN:

1. Wipe with a clean, dry, cloth or,
2. Wipe with a clean cloth dampened with a solution of mild detergent (3 oz. per gallon of water). Then wipe dry.