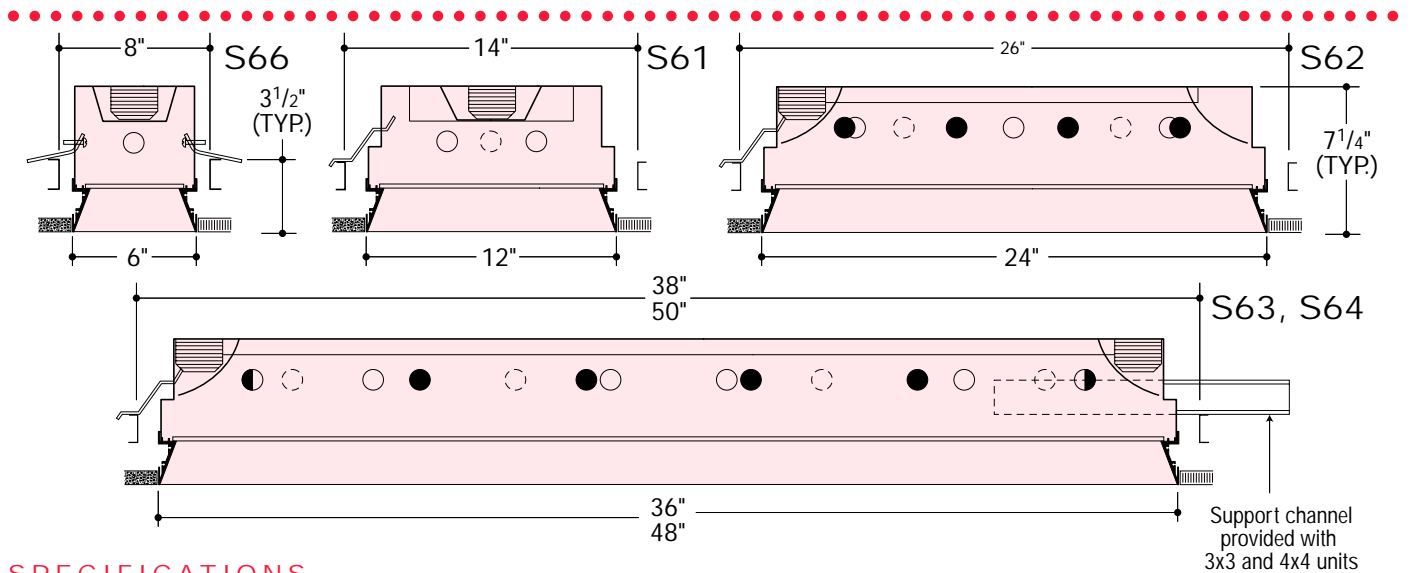
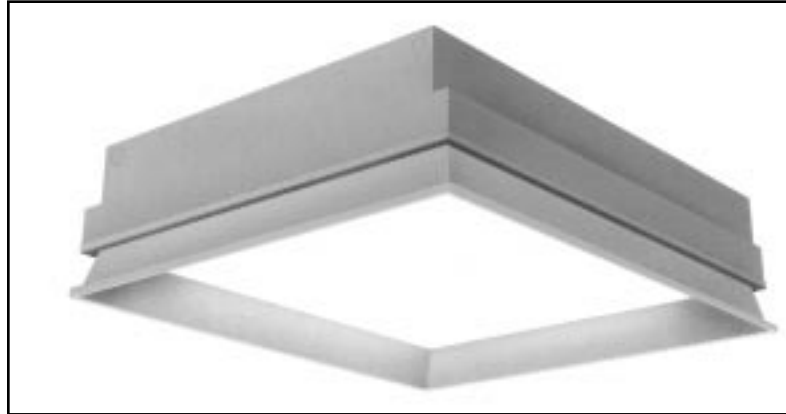


APPLICATIONS

The SKYLUME® S regressed flangeless troffer is like opening the ceiling to the sky. The precision engineered deep regress extruded aluminum trim forms a picture frame effect yet providing shadowless soft glare-free illumination. A unique flexible system allowing for mounting end-to-end, side-by-side in various patterns and clusters. The ideal troffer for use in Lobbies, Conference Rooms, Executive Areas, and Banks that are looking for that upscale look.



SPECIFICATIONS

CONSTRUCTION: Die formed of 20 ga. cold rolled prime steel, rigidly fabricated, and electrically welded to insure true and perfect alignment. Socket plate securely mounted and readily removable for socket maintenance.

REFLECTOR: CAD formed to optically correct contour to provide maximum efficiency, removable to access wiring without the use of tools.

TRIM: Flangeless regressed trim of heavy gauge extruded aluminum continuously interlocked and mechanically fastened to the housing. The extruded aluminum trim is flush with the ceiling line at a 70° angle and is regressed 2".

SHIELDING: Flat smooth matte white glass-fiber-reinforced acrylic panel of proper thickness rests on the upper most portion of the 2" regressed trim and tip-tilts in and out. For other diffusers CONSULT FACTORY.

ELECTRICAL: Thermally protected Class "P" Energy Saving Rapid/Instant Start HPF 270MA BIAx (Twin Tube), 265MA-T8 electronic ballasts, for 118V 60 Hz operation standard. Other electronic ballasts, other voltages and frequencies available, consult factory. (See OPTIONS listing).

MOUNTING: Installed flush with ceiling line and is supported by the Ceiling supporting purlin by adjustable LEVEL-JACKS. Additional support channels are provided with 3'x3' and 4'x4' units. The fixture

becomes an integral part of the ceiling. A removable access plate is provided for access to the plenum. **The fixture must be installed before the ceiling is closed.** Clip on splines are provided to be slipped on leg of trim frame extrusion to anchor lath, or fit into kerf to support adjacent tiles. Can be made for continuous runs, end-to-end, side-by-side, or as clusters, adjacent units are supported on a common structural channel (by others) by staggered LEVEL-JACKS allowing trims to butt.

FINISH: All steel component parts are completely protected against rust and discoloration after fabrication through an automated conveyerized multi-stage phosphate bonding process. Finished with an electrostatic baked white polyester thermosetting powder coating. This electronic computer controlled integrated system assures consistent high reflectance efficiency and maximum durability.

CERTIFICATION: The SKYLUME® S Series is U.L. and C.U.L. listed and bears the label of the I.B.E.W./AFL-CIO, Local #3.

SKYLUME® and LEGION® are registered trademarks of LEGION LIGHTING CO., INC.

ORDERING DATA

Catalog No.	No. and Type Lamps	Ceiling	Wt.
S66-132-GRA EBO	1-FO32-OCT-T8	6" x 48"	27
S61-232-GRA EBO	2-FO32-OCT-T8	12" x 48"	35
S61-332-GRA EBO	3-FO32-OCT-T8	12" x 48"	39
S62-217-GRA EBO	2-FO17-OCT-T8	24" x 24"	34
S62-317-GRA EBO	3-FO17-OCT-T8	24" x 24"	38
S62-417-GRA EBO	4-FO17-OCT-T8	24" x 24"	38
S62-617-GRA EBO	6-FO17-OCT-T8	24" x 24"	42
S62-2U32-GRA EBO	■ 2-FBO32-OCT-T8	24" x 24"	39
S62-3U31-GRA EBO	+ 3-FBO31-OCT-T8	24" x 24"	39
S62-2BX40-GRA EBX	● 2-F40TT/RS	24" x 24"	39
S62-3BX40-GRA EBX**	● 3-F40TT/RS	24" x 24"	42
S62-232-GRA EBO	2-FO32-OCT-T8	24" x 48"	55
S62-332-GRA EBO	3-FO32-OCT-T8	24" x 48"	58
S62-432-GRA EBO	4-FO32-OCT-T8	24" x 48"	55
S62-632-GRA EBO	6-FO32-OCT-T8	24" x 48"	55
S63-425-GRA EBO	4-FO25-OCT-T8	36" x 36"	80
S63-625-GRA EBO	6-FO25-OCT-T8	36" x 36"	84
S63-825-GRA EBO	8-FO25-OCT-T8	36" x 36"	88
S64-432-GRA EBO	4-FO32-OCT-T8	48" x 48"	110
S64-632-GRA EBO	6-FO32-OCT-T8	48" x 48"	114
S64-832-GRA EBO	8-FO32-OCT-T8	48" x 48"	118

ALL UNITS ARE AVAILABLE FOR T5 LAMPS - CONSULT FACTORY WITH WATTAGE REQUIREMENTS.

- ** Consult factory for interior lamp configuration.
- Lamp spacing made for 6" center T8 U-lamps. For OCTIC T8 1 5/8" center, change lamp no. to 2U31.
- + Lamp spacing made for 1 5/8" center Octron U-lamps only.
- F40TT/RS is the ANSI designation of various lamp manufacturers, i.e. G.E. Lighting "BIAX", Phillips "PL", Osram "DULUX L", Sylvania "TWIN TUBE". For F50TT/RS change catalog number. Example: S62-2BX50-GRA etc, and CONSULT FACTORY.

OCTRON™ is a registered trademark of SYLVANIA

OPTIONS

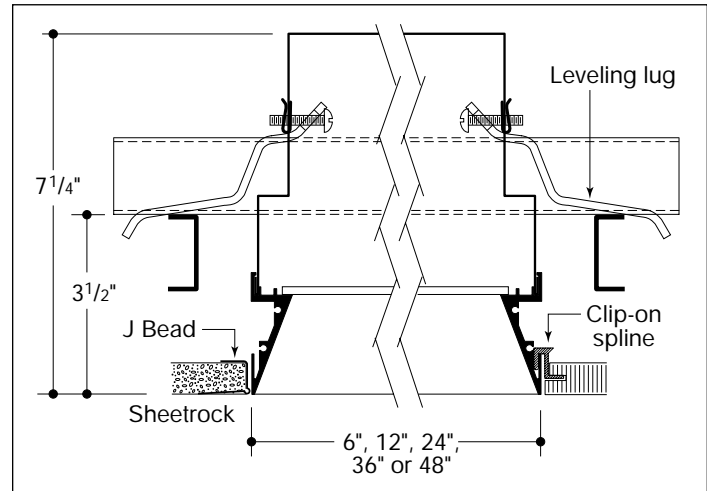
Suffix "LT" after catalog no. for cold weather ballast.
 Suffix "DL" after catalog no. for damp location.
 Suffix "EM" after catalog no. for emergency battery pack, see price list for options.

ENERGY SAVING BALLASTS Where applicable (consult factory).
 Suffix "ESB" after catalog number, then / and one of the following:

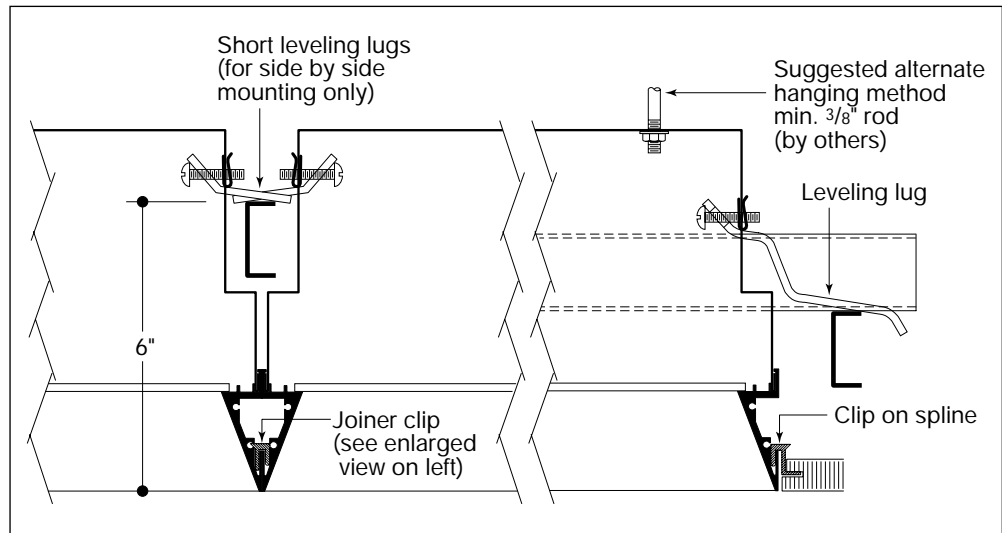
ELECTRONIC

- "EBO"-Electronic T8 Octron Ballast
- "EBDO"-Electronic T8 Dimming Ballast
- "EBX"-Electronic (BIAX) Twin Tube Ballast
- "EBDX"-Electronic (BIAX) Twin Tube Dimming Ballast

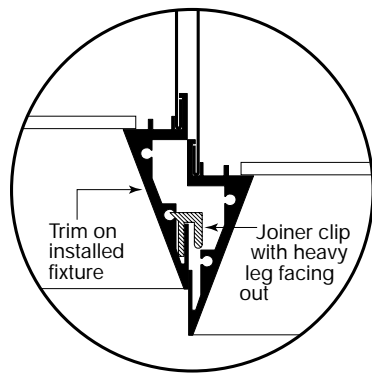
MOUNTING DETAIL - INDIVIDUAL



MOUNTING DETAIL - PATTERNS



NOTE:
 FIXTURE MUST BE INSTALLED PRIOR TO CLOSING IN OF THE CEILING.



Detail showing Joiner clip for locking trim for side by side & end to end installation

For Photometric Data see Section B - pages 45A and 45B

Information supplied primarily for illustrative purposes, subject to change.
 Consult factory for verification and minimum quantity orders.