

## APPLICATIONS

- Conference Rooms
- Bank Lobbies
- Libraries
- Schools
- Atriums
- Hallways
- Health Centers
- Corporate Offices
- Art Galleries
- Suspended Fixture with Uplight component



## SPECIFICATIONS

**CONSTRUCTION:** Die formed of code gauge steel, rigidly fabricated, and electrically welded to insure true and perfect alignment.

**DIFFUSER:** Tip-Tilt diffuser for removal, relamping and servicing. Refer to Shielding Media for types available. Regressed 1/2".

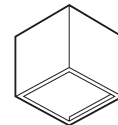
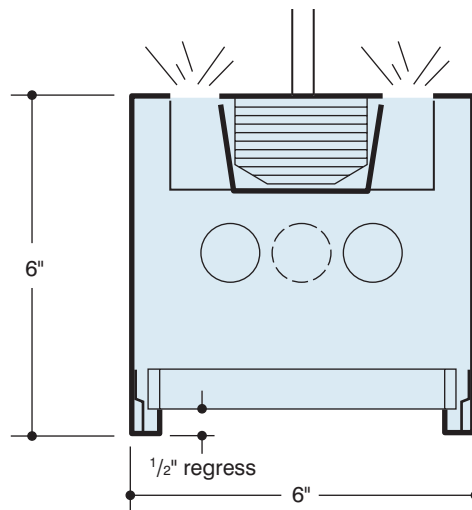
**SOCKET PLATES/REFLECTOR:** Die formed of code gauge steel, socket plates mounted securely to fixture housing and readily removable for maintenance. Reflector formed to optically correct contour design provides maximum efficiency and minimum surface brightness.

**ELECTRICAL:** 1 and 2 lamp T5 electronic program start 450MA for 14W, 28W and 460MA to 300MA for 24W and 54W T5HO, or 1, 2 and 3 lamp Octic T8 265MA electronic instant start ballasts, or Rapid Start HPF 270MA Biax lamps. High power factor, Class A sound rated <10% THD (less than 10% Total Harmonic Distortion). U.L., CSA, FCC listed Type 1 for multi-voltage 120/277 50/60Hz operation. Other voltages and frequencies available, CONSULT FACTORY.

**FINISH:** All steel component parts are completely protected against rust and discoloration after fabrication through an automated conveyerized multi-stage phosphate bonding process. Finished with an electrostatic baked white polyester thermosetting powder coating. This electronic computer controlled integrated system assures consistent 88%+ reflectance efficiency and maximum durability. Other colors available, see color chart and CONSULT FACTORY.

**MOUNTING:** Installed cable or stem mounted, singly or in continuous rows. For continuous mounting, knockouts are removed in end cap and units joined together.

**CERTIFICATION:** The Mod-U-Beam® Series PUL607 luminaire is U.L. and C.U.L. listed and bears the label of the I.B.E.W./AFL-CIO, Local #3.



**MATCHING  
CORNER BOX**  
6" x 6" x 6"  
PUL607-CB



MOD-U-BEAM® and LEGION® are registered trademarks of LEGION LIGHTING CO., INC.

**ORDERING DATA**

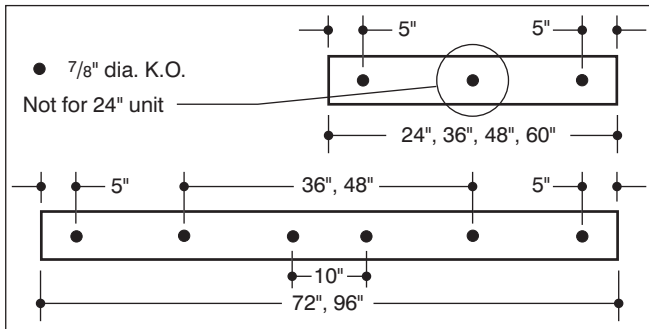
Catalog No.	No. and Type Lamps	Width	Length
PUL607-117 EBO	1-FO17-OCT-T8	6"	24"
PUL607-114	1-F14-T5		
PUL607-124HO	1-F24HO-T5		
PUL607-217 EBO	2-FO17-OCT-T8		
PUL607-214	2-F14-T5	6"	36"
PUL607-224HO	2-F24HO-T5		
PUL607-125 EBO	1-FO25-OCT-T8		
PUL607-121	1-F21-T5		
PUL607-139HO	1-F39HO-T5	6"	48"
PUL607-225 EBO	2-FO25-OCT-T8		
PUL607-221	2-F21-T5		
PUL607-239HO	2-F39HO-T5		
PUL607-132 EBO	1-FO32-OCT-T8	6"	60"
PUL607-128	1-F28-T5		
PUL607-154HO	1-F54HO-T5		
PUL607-232 EBO	2-FO32-OCT-T8		
PUL607-228	2-F28-T5	6"	72"
PUL607-254HO	2-F54HO-T5		
PUL607-160 EBO	1-FO40-OCT-T8		
PUL607-135	1-F35-T5		
PUL607-180HO	1-F80HO-T5	6"	96"
PUL607-260 EBO	2-FO40-OCT-T8		
PUL607-235	2-F35-T5		
PUL607-280HO	2-F80HO-T5		
PUL607-125-6T EBO	2-FO25-OCT-T8	6"	96"
PUL607-121-6T	2-F21-T5		
PUL607-139HO-6T	2-F39HO-T5		
PUL607-225-6T EBO	4-FO25-OCT-T8		
PUL607-221-6T	4-F21-T5	6"	96"
PUL607-239HO-6T	4-F39HO-T5		
PUL607-132-8T EBO	2-FO32-OCT-T8		
PUL607-128-8T	2-F28-T5		
PUL607-154HO-8T	2-F54HO-T5	6"	96"
PUL607-232-8T EBO	4-FO32-OCT-T8		
PUL607-228-8T	4-F28-T5		
PUL607-254HO-8T	4-F54HO-T5		
PUL607-196SL EBO	1-FO96-OCT-T8	6"	*192"
PUL607-296SL EBO	2-FO96-OCT-T8	6"	*192"
PUL607-196-16TSL EBO	2-FO96-OCT-T8	6"	*192"
PUL607-CB, Corner Box, (T5/T8)	NONE	6"	6"

UNITS FOR BIAX LAMPS - CONSULT FACTORY  
 For 1 lamp units, lamps mounted diagonally - CONSULT FACTORY.  
 EXTENSION BOXES: For Corner Box, Extensions, Fillers and Angles  
 CONSULT FACTORY.  
 \* Housing supplied in 2 equal sections, coupled together in field by  
 installing contractor.

NOTE: T12, Biax and other Slimline lamps available - CONSULT FACTORY.

OCTRON™ is a registered trademark of SYLVANIA  
 BIAX™ is a registered trademark of General Electric Co.

**BACK PLANS**



Information supplied primarily for illustrative purposes, subject to change. Consult factory for verification and minimum quantity orders.

**OPTIONS**

Suffix "DIM" after catalog no. for dimming ballast.  
 Suffix "LT" after catalog no. for cold weather ballast.  
 Suffix "EM" after cat. no. for emerg. battery pack, see price list for types.  
 Suffix "DL" after catalog no. for damp location.

**DIMMING BALLASTS**

Suffix "EBDO" after catalog no. for T8 dimming ballast.  
 Suffix "EBDP" after catalog no. for T5 dimming ballast.  
 Suffix "EBDX" after catalog no. for BIAX Twin-Tube dimming ballast.  
 Suffix "EBDOA" after catalog no. for electronic dimming ballast  
 ADVANCE MARK X.  
 Suffix "H3D" after catalog no. for LUTRON HI-LUME 3D dimming ballast.  
 Suffix "ECO-5" after catalog no. for LUTRON ECOSYSTEM.  
 Suffix "EH" after catalog no. for ECOSYSTEM H Series.

**ELECTRONIC BALLASTS**

"EBO"- Electronic T8 Octron ballast.  
 "EBX"- Electronic (BIAX) Twin-Tube ballast.  
 Electronic T5/T5HO ballast

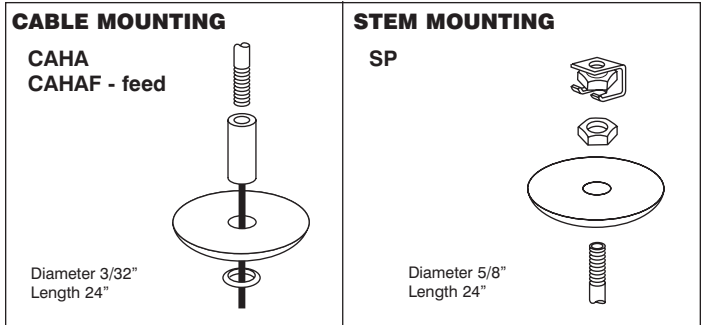
OTHER DIMMING AND PROGRAM START BALLASTS ARE AVAILABLE,  
 CONSULT FACTORY.

**Legion is a Lutron® Silver Partner**

Lutron® is a registered trademark of Lutron Electronics

**SHIELDING MEDIA**

Type (LB) 3/4" x 3/4" - 45° cutoff - lateral blade louver - white.  
 Type (PAB) 2" x 1 1/4" - 35° cutoff - parabolic semi-specular silver lateral blade louver.  
 Type (P95W) frosted acrylic.  
 Type (P95C) clear acrylic with 95% transmission.  
 Type (AL) 1/2" cube aluminum louver - white.  
 Type (PL) 1/2" cube styrene louver - white.  
 Type (PLA) 1/2" cube acrylic louver - white.  
 Type (BB) 1" x 1" 45° cutoff - bold baffle - lateral blade louver.  
 Type (AF) 3/4" cube angleflex - specular silver louver.  
 Type (PAF) 5/8" cube Paraflex specular silver louver - styrene.  
 Type (PAFA) 5/8" cube Paraflex specular silver louver - acrylic.  
 Type (PW) 1/2" cube Parawedge specular silver louver - styrene.  
 Type (PWA) 1/2" cube Parawedge specular silver louver - acrylic.  
 Type (PAFIVA) 3/4" x 3/4" x 1/2" deep Paraflex specular silver louver-acrylic.  
 Type (PL3A) 3/4" x 3/4" x 1/2" deep high efficiency spec. silver louver acrylic.  
 Type (PL5A) 3/4" x 3/4" x 3/8" deep high efficiency spec. silver louver acrylic.  
 Type (RFA) acrylic plastic refractor, Pattern 12.  
 Type (K19A) KSH K19 acrylic lens.  
 Type (FA) flat white acrylic.  
 Type (GRA) glass fiber - reinforced acrylic.



.....  
**PHOTOMETRICS** — CONSULT FACTORY

