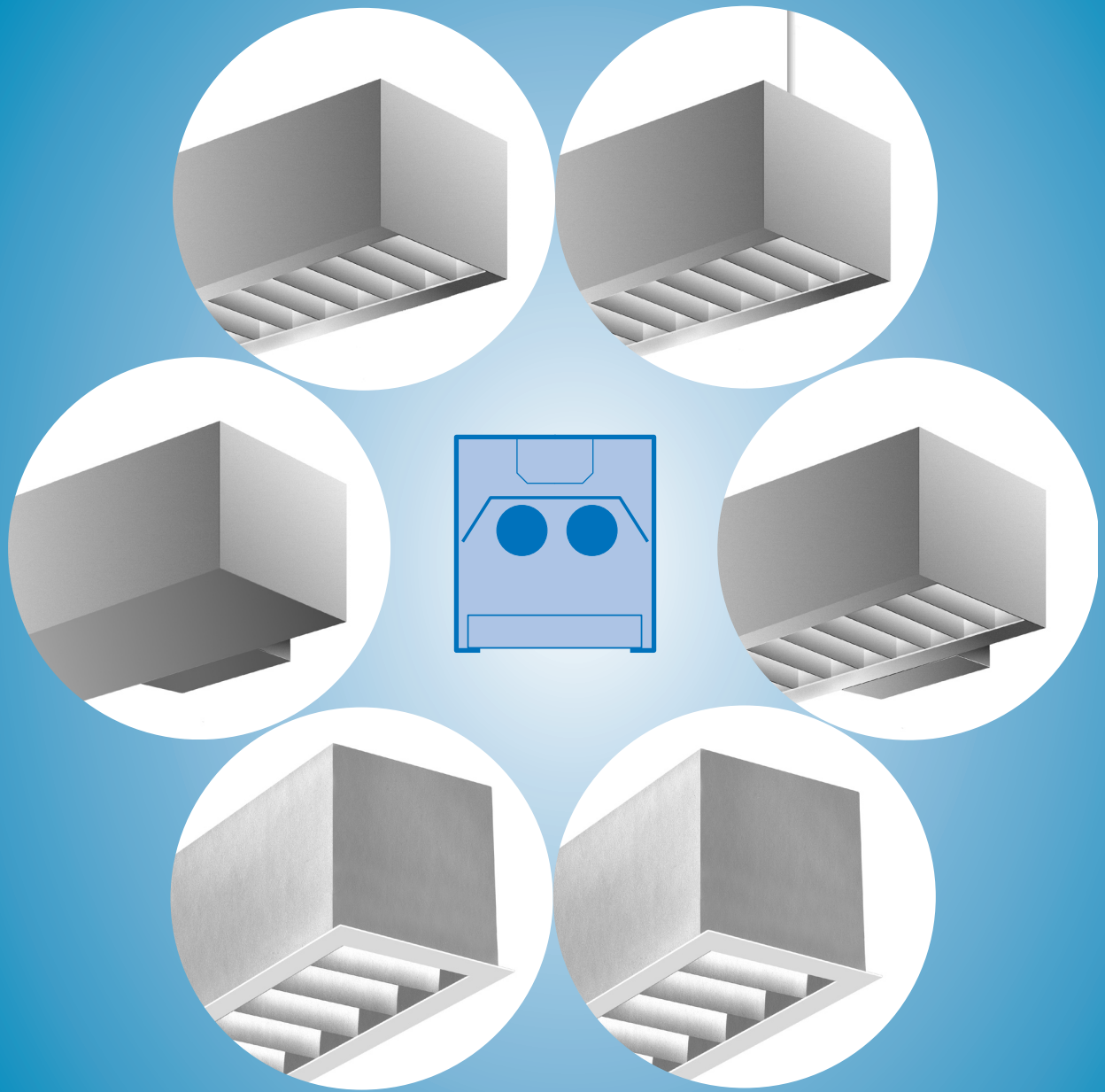


# Series 444

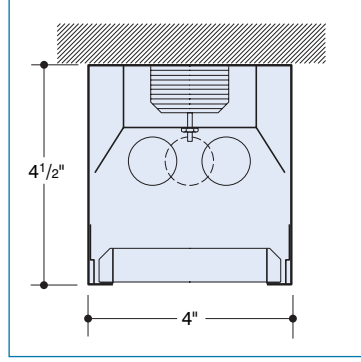
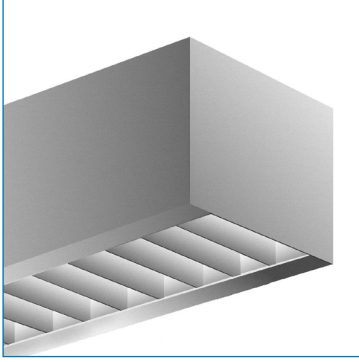


Mini-Mod-U-Beam<sup>®</sup>

**LEGION<sup>®</sup>**  
LIGHTING CO., INC.

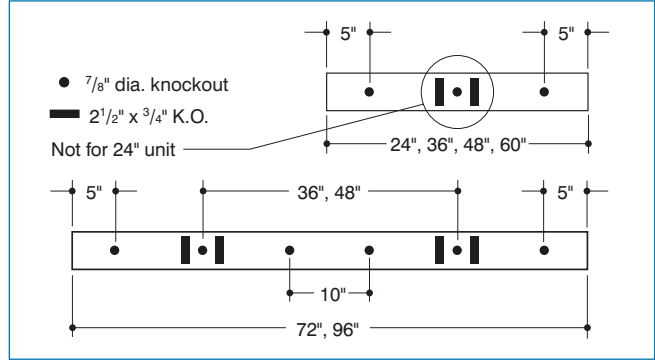
# Surface Mounted

## Series 444 Direct Lighting



1 or 2 T8 Lamps

## Back Plans

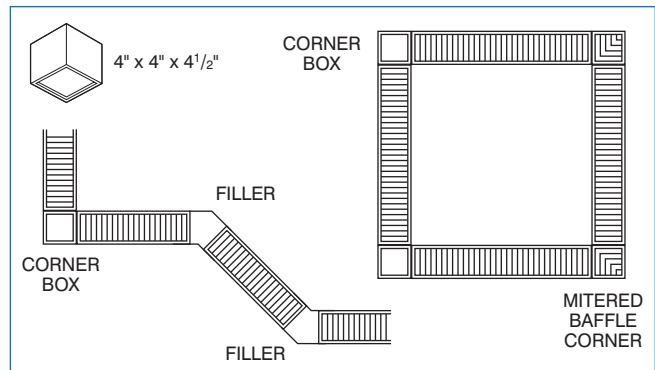


### ORDERING DATA

Catalog No.	No. and Type Lamps	Width	Length
444-117 EBO	1-FO17-OCT-T8	4"	24"
444-217 EBO	2-FO17-OCT-T8		24"
444-125 EBO	1-FO25-OCT-T8	4"	36"
444-225 EBO	2-FO25-OCT-T8		36"
444-132 EBO	1-FO32-OCT-T8	4"	48"
444-232 EBO	2-FO32-OCT-T8		48"
444-160 EBO	1-FO40-OCT-T8	4"	60"
444-260 EBO	2-FO40-OCT-T8		60"
444-125-6T EBO	2-FO25-OCT-T8	4"	72"
444-225-6T EBO	4-FO25-OCT-T8		72"
444-132-8T EBO	2-FO32-OCT-T8	4"	96"
444-232-8T EBO	4-FO32-OCT-T8		96"
444-CB, Corner Box	NONE	4"	4"

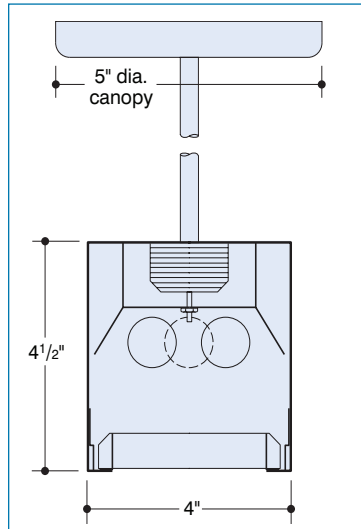
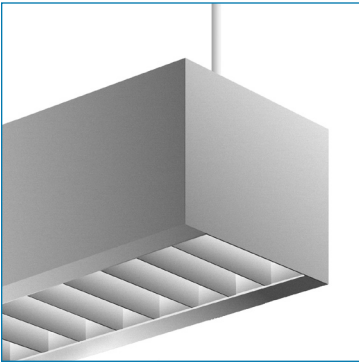
ALL UNITS AVAILABLE FOR T5 & T5HO LAMPS.  
REFER TO CONVERSION CHART ON BACK PAGE

## 444CB Corner Box



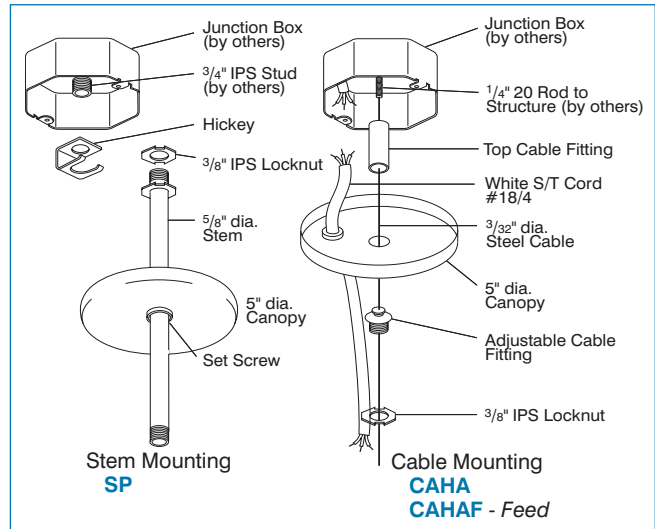
# Pendant Mounted

## Series 444 Pendant Direct Lighting



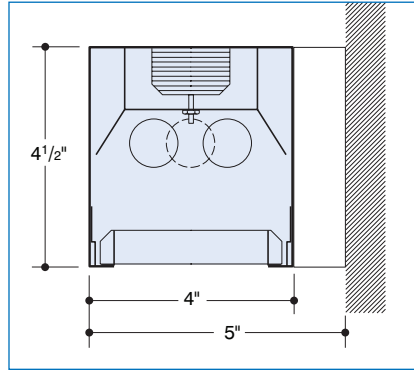
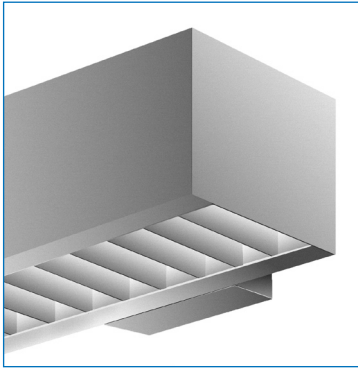
1 or 2 T8 Lamps

## Pendant Options



# Wall Mounted

## Series W444 Down Direct Wall Lighting



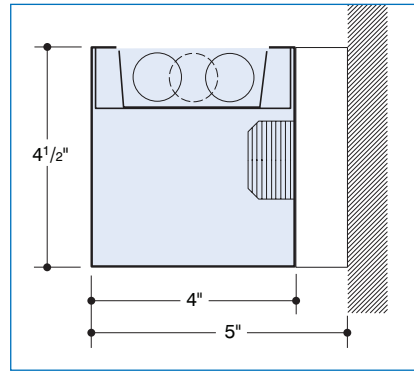
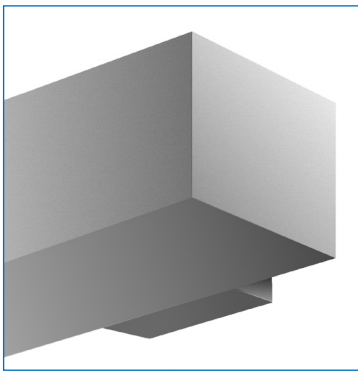
1 or 2 T8 Lamps

### ORDERING DATA

Catalog No.	No. and Type Lamps	Width	Length
W444-117 EBO	1-FO17-OCT-T8	4"	24"
W444-217 EBO	2-FO17-OCT-T8	4"	24"
W444-125 EBO	1-FO25-OCT-T8	4"	36"
W444-225 EBO	2-FO25-OCT-T8	4"	36"
W444-132 EBO	1-FO32-OCT-T8	4"	48"
W444-232 EBO	2-FO32-OCT-T8	4"	48"
W444-160 EBO	1-FO40-OCT-T8	4"	60"
W444-260 EBO	2-FO40-OCT-T8	4"	60"
W444-125-6T EBO	2-FO25-OCT-T8	4"	72"
W444-225-6T EBO	4-FO25-OCT-T8	4"	72"
W444-132-8T EBO	2-FO32-OCT-T8	4"	96"
W444-232-8T EBO	4-FO32-OCT-T8	4"	96"
W444-CB, Corner Box	NONE	4"	4"

**ALL UNITS AVAILABLE FOR T5 & T5HO LAMPS. REFER TO CONVERSION CHART ON BACK PAGE**

## Series WID444 Up Indirect Wall Lighting



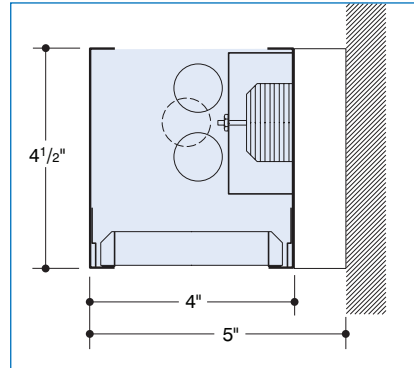
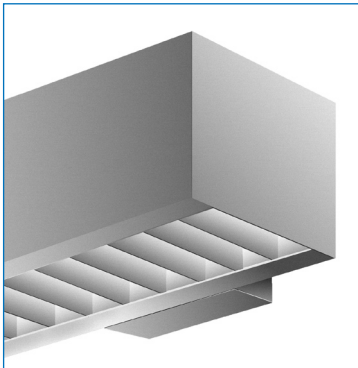
1 or 2 T8 Lamps

### ORDERING DATA

Catalog No.	No. and Type Lamps	Width	Length
WID444-117 EBO	1-FO17-OCT-T8	4"	24"
WID444-217 EBO	2-FO17-OCT-T8	4"	24"
WID444-125 EBO	1-FO25-OCT-T8	4"	36"
WID444-225 EBO	2-FO25-OCT-T8	4"	36"
WID444-132 EBO	1-FO32-OCT-T8	4"	48"
WID444-232 EBO	2-FO32-OCT-T8	4"	48"
WID444-160 EBO	1-FO40-OCT-T8	4"	60"
WID444-260 EBO	2-FO40-OCT-T8	4"	60"
WID444-125-6T EBO	2-FO25-OCT-T8	4"	72"
WID444-225-6T EBO	4-FO25-OCT-T8	4"	72"
WID444-132-8T EBO	2-FO32-OCT-T8	4"	96"
WID444-232-8T EBO	4-FO32-OCT-T8	4"	96"
WID444-CB, Corner Box	NONE	4"	4"

**ALL UNITS AVAILABLE FOR T5 & T5HO LAMPS. REFER TO CONVERSION CHART ON BACK PAGE**

## Series WUD444 Up and Down Wall Lighting



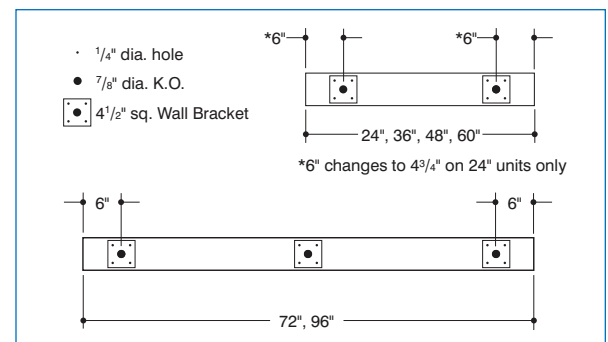
1 or 2 T8 Lamps

### ORDERING DATA

Catalog No.	No. and Type Lamps	Width	Length
WUD444-117 EBO	1-FO17-OCT-T8	4"	24"
WUD444-217 EBO	2-FO17-OCT-T8	4"	24"
WUD444-125 EBO	1-FO25-OCT-T8	4"	36"
WUD444-225 EBO	2-FO25-OCT-T8	4"	36"
WUD444-132 EBO	1-FO32-OCT-T8	4"	48"
WUD444-232 EBO	2-FO32-OCT-T8	4"	48"
WUD444-160 EBO	1-FO40-OCT-T8	4"	60"
WUD444-260 EBO	2-FO40-OCT-T8	4"	60"
WUD444-125-6T EBO	2-FO25-OCT-T8	4"	72"
WUD444-225-6T EBO	4-FO25-OCT-T8	4"	72"
WUD444-132-8T EBO	2-FO32-OCT-T8	4"	96"
WUD444-232-8T EBO	4-FO32-OCT-T8	4"	96"
WUD444-CB, Corner Box	NONE	4"	4"

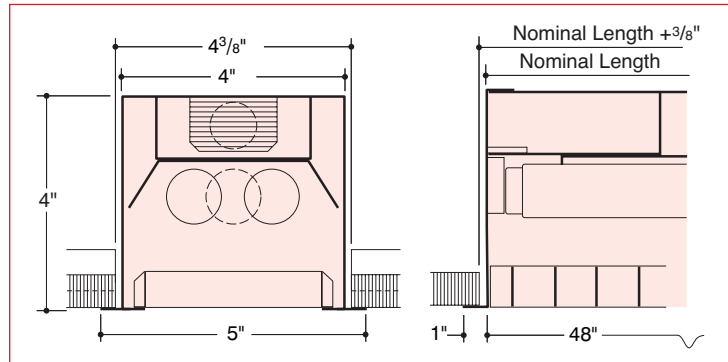
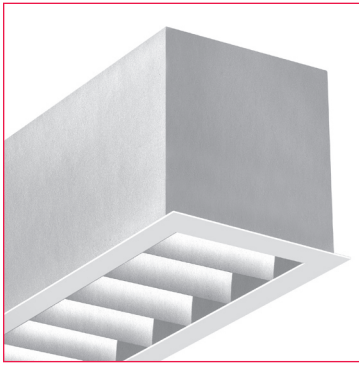
**ALL UNITS AVAILABLE FOR T5 & T5HO LAMPS. REFER TO CONVERSION CHART ON BACK PAGE**

### Back Plans



# Recessed Mounted

## Series **FR444** Recessed Mounted, Flanged



1 or 2 T8 Lamps

### ORDERING DATA

Catalog No.	No. and Type Lamps	Width	Length
FR444-117 EBO	1-FO17-OCT-T8	4"	24"
FR444-217 EBO	2-FO17-OCT-T8		
FR444-125 EBO	1-FO25-OCT-T8	4"	36"
FR444-225 EBO	2-FO25-OCT-T8		
FR444-132 EBO	1-FO32-OCT-T8	4"	48"
FR444-232 EBO	2-FO32-OCT-T8		
FR444-160 EBO	1-FO40-OCT-T8	4"	60"
FR444-260 EBO	2-FO40-OCT-T8		
FR444-125-6T EBO	2-FO25-OCT-T8	4"	72"
FR444-225-6T EBO	4-FO25-OCT-T8		
FR444-132-8T EBO	2-FO32-OCT-T8	4"	96"
FR444-232-8T EBO	4-FO32-OCT-T8		
FR444-CB, Corner Box	NONE	4"	4"

**ALL UNITS AVAILABLE FOR T5 & T5HO LAMPS. REFER TO CONVERSION CHART ON BACK PAGE**

### CEILINGS - Specify Type:

**3 Housing types for Individual or Continuous row mounting:**

IND	MID	END
INDIVIDUAL	MIDDLE OF ROW	END OF ROW

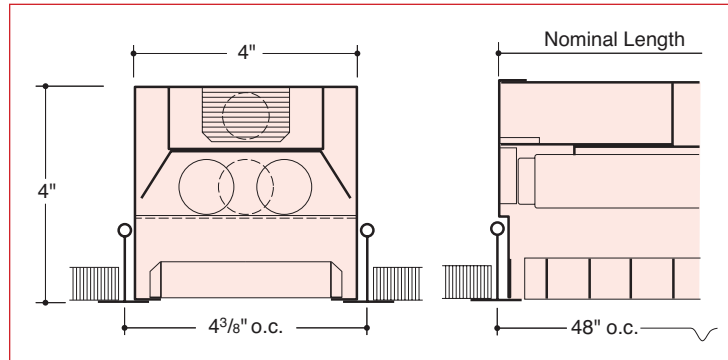
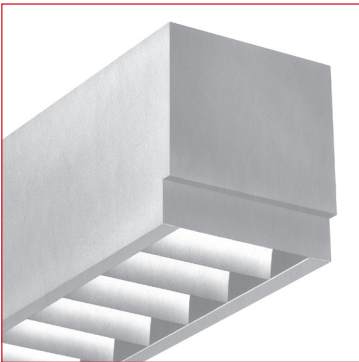
**NOTE:** All FR444 recessed grid units must be indicated with the following suffixes. Individual units — IND. Middle units — MID. End of row — END.

**Continuous rows:** Advise row lengths when specifying or ordering. Uninterrupted appearance of cross baffles and lenses are standard in continuous rows.

IND	MID	END
INDIVIDUAL	MIDDLE OF ROW	END OF ROW

**PLAN VIEWS**

## Series **JR444** Recessed Mounted, Lay-in



1 or 2 T8 Lamps

### ORDERING DATA

Catalog No.	No. and Type Lamps	Width	Length
JR444-117 EBO	1-FO17-OCT-T8	4"	24"
JR444-217 EBO	2-FO17-OCT-T8		
JR444-125 EBO	1-FO25-OCT-T8	4"	36"
JR444-225 EBO	2-FO25-OCT-T8		
JR444-132 EBO	1-FO32-OCT-T8	4"	48"
JR444-232 EBO	2-FO32-OCT-T8		
JR444-160 EBO	1-FO40-OCT-T8	4"	60"
JR444-260 EBO	2-FO40-OCT-T8		
JR444-125-6T EBO	2-FO25-OCT-T8	4"	72"
JR444-225-6T EBO	4-FO25-OCT-T8		
JR444-132-8T EBO	2-FO32-OCT-T8	4"	96"
JR444-232-8T EBO	4-FO32-OCT-T8		
JR444-CB, Corner Box	NONE	4"	4"

**ALL UNITS AVAILABLE FOR T5 & T5HO LAMPS. REFER TO CONVERSION CHART ON BACK PAGE**

### CEILINGS - Specify Type:

**3 Housing types for Individual or Continuous row mounting:**

IND	MID	END
INDIVIDUAL	MIDDLE OF ROW	END OF ROW
NO CROSS TEE BETWEEN FIXTURES		

**NOTE:** All JR444 recessed grid units must be indicated with the following suffixes. Individual units — IND. Middle units — MID. End of row — END.

**Continuous rows:** Advise row lengths when specifying or ordering. Advise if cross tees are being used at ends or in-between fixtures

MID	END
MIDDLE OF ROW	END OF ROW
WITH CROSS TEE BETWEEN FIXTURES	

# MINI-MOD-U-BEAM®

The MINI-MOD-U-BEAM® Series offers a small unobtrusive silhouette. This small silhouette along with T8 OCTIC lamps or T5/T5HO lamps provides the specifier with a compact high lumen output, high efficiency, energy saving unit. Available in a vast assortment of lengths, diffusers and lamping configurations, with impressive color rendering availability. Quality components, welded construction, post powder coated finish, assuring a long trouble free life.

*CONSTRUCTION: Die formed of 20 gauge cold rolled prime steel, rigidly fabricated, and electrically welded to insure true and perfect alignment.*

*DIFFUSER: Tip-Tilt diffuser for removal, relamping and servicing. Refer to Shielding Media for types available.*

*SOCKET PLATES: Die formed of code gauge steel and mounted securely to fixture housing and readily removable for socket maintenance.*

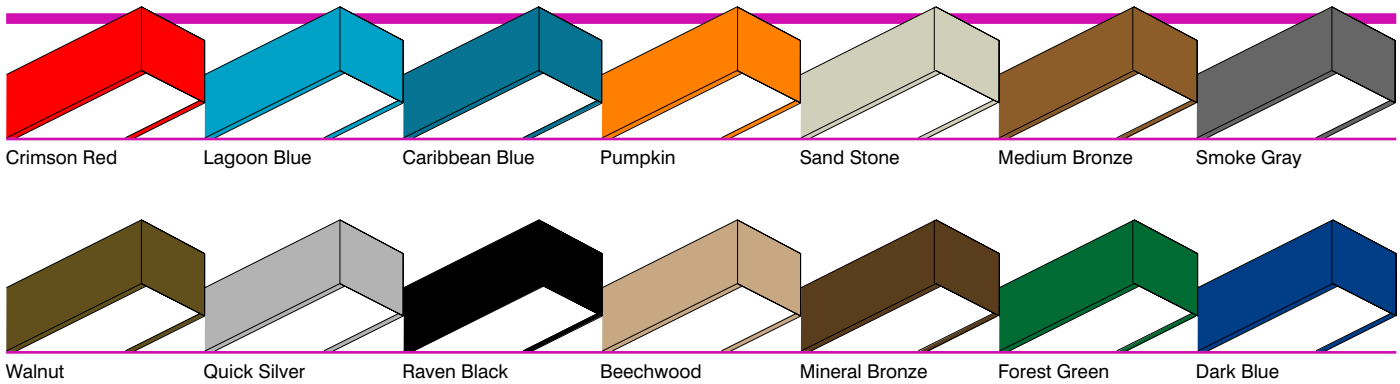
*REFLECTOR: Die formed of code gauge steel and securely mounted to fixture housing. CAD/CAM designed to optically correct contour to provide precise light distribution with maximum efficiency, removable to access wiring. XTA-XTRALUME® energy efficient reflector available (see Options).*

*ELECTRICAL: Electronic Instant Start HPF 265MA-T8, HPF 300MA to 460MA-T5 ballasts for multi-voltage 120/277 Volt 60Hz operation standard. Other voltages and frequencies available, (consult factory).*

*FINISH: All steel component parts are completely protected against rust and discoloration after fabrication through an automated conveyorized multi-stage phosphate bonding process. Finished with an electrostatic baked white polyester thermosetting powder coating. This electronic computer controlled integrated system assures consistent 88%+ reflectance efficiency and maximum durability. Other colors available, see color chart and CONSULT FACTORY.*

*CERTIFICATION: The Mini-Mod-U-Beam® Series 444 luminaire is U.L. and C.U.L. listed and bears the label of the I.B.E.W./AFL-CIO, Local #3.*

# Finishes



All steel component parts are completely protected against rust and discoloration after fabrication through an automated conveyorized multi-stage phosphate bonding process and are finished with an electrostatic baked white polyester thermosetting powder coating. This electrostatic computer controlled integrated system assures consistent 88%+ reflectance efficiency and maximum durability.

Optional powder coated finishes as shown above as well as matching colors are available. Consult factory for minimum quantity order and price. Some variations between these and actual colors may occur due to the limitations of the 4-color printing process.

## LAMP CONVERSION TABLE

All Mod-U-Beam 444 Series fixtures are available for T5 lamps.

To specify, use this conversion chart to replace T8 lamps with T5 lamps.

\*T5 - Only 2-lamp T5 units are staggered within the lengths shown.

Mod-U-Beam Fixture with T8 Catalog No.	Mod-U-Beam Fixture with T5 Catalog No.	No. and Type Lamps	Width	Length
444, W444, WID444, WUD444, FR444, JR444-117 EBO	-114	1-F14-T5	4"	*24"
	-124 HO	1-F24HO-T5		
	-214	2-F14-T5		
444, W444, WID444, WUD444, FR444, JR444-217 EBO	-224 HO	2-F24HO-T5	4"	*36"
	-121	1-F21-T5		
	-139 HO	1-F39HO-T5		
444, W444, WID444, WUD444, FR444, JR444-125 EBO	-221	2-F21-T5	4"	*48"
	-239 HO	2-F39HO-T5		
	-128	1-F28-T5		
444, W444, WID444, WUD444, FR444, JR444-132 EBO	-154 HO	1-F54HO-T5	4"	*60"
	-228	2-F28-T5		
	-254 HO	2-F54HO-T5		
444, W444, WID444, WUD444, FR444, JR444-232 EBO	-135	1-F35-T5	4"	*72"
	-180 HO	1-F80HO-T5		
	-235	2-F35-T5		
444, W444, WID444, WUD444, FR444, JR444-160 EBO	-280 HO	2-F80HO-T5	4"	*96"
	-221	2-F21-T5		
	-239 HO	2-F39HO-T5		
444, W444, WID444, WUD444, FR444, JR444-260 EBO	-221	4-F21-T5	4"	*96"
	-239 HO	4-F39HO-T5		
	-228	2-F28-T5		
444, W444, WID444, WUD444, FR444, JR444-125-6T EBO	-239 HO	2-F39HO-T5	4"	*96"
	-221	4-F21-T5		
	-239 HO	4-F39HO-T5		
444, W444, WID444, WUD444, FR444, JR444-225-6T EBO	-228	2-F28-T5	4"	*96"
	-254 HO	2-F54HO-T5		
	-228	4-F28-T5		
444, W444, WID444, WUD444, FR444, JR444-132-8T EBO	-254 HO	2-F54HO-T5	4"	*96"
	-228	4-F28-T5		
	-254 HO	4-F54HO-T5		
444, W444, WID444, WUD444, FR444, JR444-232-8T EBO	-228	4-F28-T5	4"	*96"
	-254 HO	4-F54HO-T5		
	-254 HO	4-F54HO-T5		

## OPTIONS

Suffix "DIM" after catalog no. for dimming ballast.

Suffix "LT" after catalog no. for cold weather ballast.

Suffix "EM" after catalog no. for emergency battery pack and see price list for types.

Suffix "DL" after catalog no. for damp location.

Suffix "XTA" after catalog no. for XTRALUME® reflector standard with 85% reflectance, for 95% reflectance please specify your requirements.

## SHIELDING MEDIA

Type (LB)  $\frac{3}{4}$ "x $\frac{3}{4}$ " - 45° cutoff - lateral blade louver - white.

Type (LBP)  $\frac{3}{4}$ "x $\frac{3}{4}$ " - 45° cutoff - perforated lateral blade louver - white.

Type (AL)  $\frac{1}{2}$ " cube aluminum louver - white.

Type (PLA)  $\frac{1}{2}$ " cube acrylic louver - white.

Type (PAFA)  $\frac{5}{8}$ " cube Paraflex specular silver louver - acrylic.

Type (PWA)  $\frac{1}{2}$ " cube Parawedge spec. silver louver - acrylic.

Type (PAFIVA)  $\frac{3}{4}$ "x $\frac{3}{4}$ "x $\frac{1}{2}$ " deep Paraflex specular silver louver - acrylic.

Type (PL3A)  $\frac{3}{4}$ "x $\frac{3}{4}$ "x $\frac{1}{2}$ " deep high efficiency spec. silver louver - acrylic.

Type (PL5A)  $\frac{3}{4}$ "x $\frac{3}{4}$ "x $\frac{1}{2}$ " deep high efficiency spec. silver louver - acrylic.

Type (RFA) acrylic plastic refractor.

Type (K19A) KSH K19 acrylic lens.

Type (FA) flat white acrylic.

Type (GRA) glass fiber - reinforced acrylic.

MOD-U-BEAM®, XTRALUME® and LEGION® are registered trademarks of LEGION LIGHTING CO., INC.



221 Glenmore Ave., Brooklyn, NY 11207

Tel: 718/498-1770 • Fax: 718/498-0128

Toll Free Fax: 800/4-LEGION

E-mail: sales@legionlighting.com • Website: www.legionlighting.com