

COMFORT-LUME® “PF” HIGH TRANSMISSION

2x2, 2x4 ACPF
Perforated Shield

Series **J7222**
J7224

APPLICATIONS

ELEGANT DESIGN: The J7222 PF and J7224 PF provide the look and feel of a deep luminaire – subtle soft indirect elements, creating interest and depth across the ceiling plane – in a package that consumes minimal space and material.

EFFICIENT SOLUTIONS: The contoured panels of the diffuser are high transmission acrylic that provide a low-brightness glow, with the majority of the light controlled through the center optical element.



SPECIFICATIONS

CONSTRUCTION: Die formed of 20 gauge steel, rigidly fabricated, and electrically welded to insure true and perfect alignment.

REFLECTOR: Multi-radii high reflectance white reflector, distributes the light through both optical elements. Other reflectors available, see OPTIONS.

ELECTRICAL: 1 and 2 lamp T5 electronic program start 450MA for 14W, 28W and 300MA to 460MA for 24W and 54W T5HO, or 1 and 2 lamp Optic T8 265MA electronic instant start ballasts, or Rapid Start HPF 270MA Biax lamps. High Power Factor, Class A sound rated <10% THD (less than 10% Total Harmonic Distortion). U.L., CSA, FCC listed Type 1 for multi-voltage 120/277 50/60Hz operation. Other voltages and frequencies available, CONSULT FACTORY.

LAMPS: (by others) See ORDERING DATA.

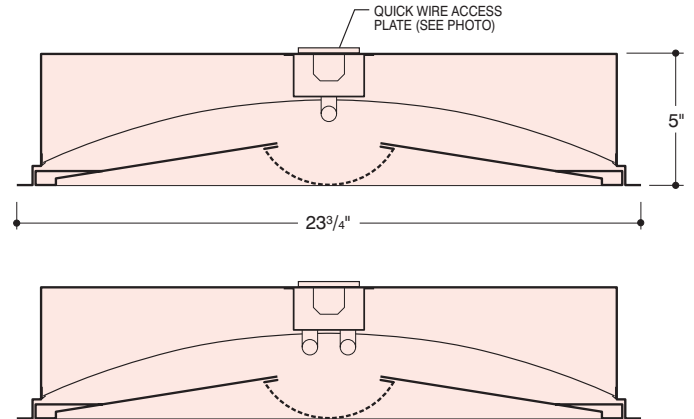
DIRECT-INDIRECT COMPONENT: Integrates a traditional perforated metal basket with an acrylic overlay. The sloping acrylic side panels and unique lamp placement maintains the look and feel of a deep unit, subtle soft indirect elements, interest and depth across the ceiling plane.

DIFFUSER SURROUND: (2) sloping high transmission acrylic diffuser panels manage contrast and generate soft, even, higher angle luminance.

MOUNTING: For grid type ceilings, 15/16" & 9/16" x 1 1/2" T-Bars rest on the flanges of the exposed Tee. Fine-Line Clips are supplied. The corners of the ceiling opening grid should be well supported (by others) to withstand the weight of the fixture.

FINISH: All steel component parts are completely protected against rust and discoloration after fabrication through an automated conveyorized multi-stage phosphate bonding process. Finished with an electrostatic baked white polyester thermosetting powder coating. This electronic computer controlled integrated system assures consistent reflectance efficiency and maximum durability.

CERTIFICATION: The Series J7222/J7224 are U.L., and C.U.L. listed and bear the label of the I.B.E.W./AFL-CIO, Local #3. Optionally U.L. listed for Damp Location “DL”.



NOM. SIZE	GRID
2 x 2	23 ³ / ₄ " x 23 ³ / ₄ "
2 x 4	23 ³ / ₄ " x 47 ³ / ₄ "

COMFORT-LUME®, XTRALUME® and LEGION® are registered trademarks of LEGION LIGHTING CO., INC.



11/10

Section B - Page 115



221 Glenmore Ave., Brooklyn, NY 11207 • Tel: 718/498-1770 • Fax: 718/498-0128
E-mail: sales@legionlighting.com • Website: www.legionlighting.com • Toll Free Fax: 800/4-LEGION

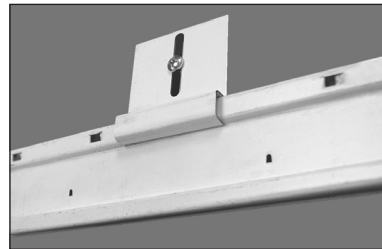
ORDERING DATA

Nom. Size	No. and Type Lamps	Specify Ceiling	Wt.	Catalog No.	
2 x 2	T5 1-F14-T5 2-F14-T5 1-F24HO-T5 2-F24HO-T5	J	29	J7222-114-ACPF	
				J7222-214-ACPF	
				J7222-124HO-ACPF	
				J7222-224HO-ACPF	
	T8 1-FO17-OCT-T8 2-FO17-OCT-T8			J7222-117-ACPF	
				J7222-217-ACPF	
				BIAX ▲ 1-F40TT/RS ▲ 2-F40TT/RS ▲ 1-F50TT/RS ▲ 2-F50TT/RS ▲ 1-F55TT/RS ▲ 2-F55TT/RS	J7224-128-ACPF
					J7224-228-ACPF
	J7224-154HO-ACPF				
	J7224-254HO-ACPF				
	J7224-132-ACPF				
	J7224-232-ACPF				
2 x 4	T5 1-F28-T5 2-F28-T5 1-F54HO-T5 2-F54HO-T5	J	54	J7224-128-ACPF	
				J7224-228-ACPF	
				J7224-154HO-ACPF	
				J7224-254HO-ACPF	
	T8 1-FO32-OCT-T8 2-FO32-OCT-T8			J7224-132-ACPF	
				J7224-232-ACPF	
				BIAX ▲ 2-F40TT/RS ▲ 4-F40TT/RS ▲ 2-F50TT/RS ▲ 4-F50TT/RS ▲ 2-F55TT/RS ▲ 4-F55TT/RS	J7224-2BX40-ACPF
					J7224-4BX40-ACPF
	J7224-2BX50-ACPF				
	J7224-4BX50-ACPF				
	J7224-2BX55-ACPF				
	J7224-4BX55-ACPF				

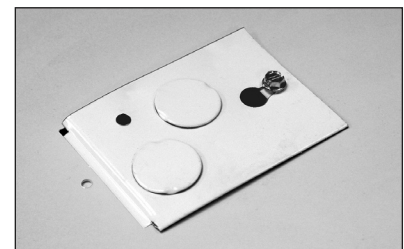
▲ F40TT/RS, F50TT/RS and F55TT/RS are the ANSI designation of various lamp manufacturers, i.e. G.E. Lighting "BIAX", Phillips "PL", Osram "Dulux L", Sylvania TWIN TUBE.

**3 LAMP OPTIONS AVAILABLE,
MULTI CIRCUIT AVAILABLE**

OCTRON™ is a registered trademark of SYLVANIA



FINE LINE CLIP



QUICK WIRE ACCESS PLATE ON TOP OF FIXTURE

OPTIONS

Suffix "LT" after catalog no. for cold weather ballast.
Suffix "EM" after catalog no. for emergency battery pack, see price list for types.
Suffix "DL" after catalog no. for damp location.
Suffix "DIM" after catalog no. for dimming ballast.

OPTIONAL REFLECTORS

Suffix "XTA" after cat. no. for XTRALUME® reflector standard with 85% reflectance, for 95% reflectance specify your requirements and consult factory.
Suffix "XTALD" after cat. no. for linear ribbed matted diffuser, and consult factory.
Suffix "WO" after cat. no. for white optics, and consult factory.

FLANGE KITS

Suffix "FK2x2" after catalog no. for 2x2 fixture, cut ceiling opening 24½"x24½".
Suffix "FK2x4" after catalog no. for 2x4 fixture, cut ceiling opening 24½"x48½".

DIMMING BALLASTS

Suffix "EBDO" to catalog no. for T8 Dimming Ballast.
Suffix "EBDP" to catalog no. for T5 Dimming Ballast.
Suffix "EBDX" to catalog no. for BIAX Twin-Tube Dimming Ballast.
Suffix "EBDOA" to catalog no. for electronic dimming ballast.
ADVANCE MARK X.

Suffix "ECO-10" to catalog no. for electronic dimming ballast LUTRON ECO-10.

Suffix "HIL" to catalog no. for LUTRON HI-LUME dimming ballast.
Suffix "H3D" to catalog no. for LUTRON HI-LUME 3D dimming ballast.
Suffix "ECO-5" to catalog no. for LUTRON ECO SYSTEM.

Legion is a Lutron® Silver Partner

Lutron® is a registered trademark of Lutron Electronics

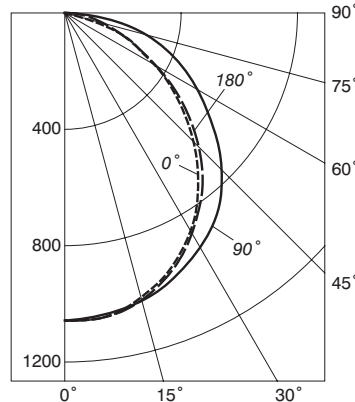
OTHER DIMMING BALLASTS AVAILABLE, CONSULT FACTORY.
PROGRAM START AVAILABLE.

PHOTOMETRIC DATA

Cat. No. J7224-232-ACPF
Direct/Indirect Luminaire
with Acrylic HT Panels
Lamps: (2) F32-T8
rated 2500 Lumens each

ZONAL LUMEN SUMMARY			
Zone	Lumens	% Lamp	% Fixture
0-30	833.0	16.7	27.5
0-40	1365.0	27.3	45.0
0-60	2387.0	47.7	78.8
0-90	3029.0	60.6	100.0
90-180	0.0	0.0	0.0
0-180	3029.0	60.6	100.0

CANDLEPOWER DISTRIBUTION



COEFFICIENTS OF UTILIZATION - ZONAL CAVITY METHOD

		FLOOR CAVITY REFLECTANCE - 20%										
		80%			70%			50%				
RC	RW	70%	50%	30%	10%	70%	50%	30%	10%	50%	30%	10%
0	0	72	72	72	72	70	70	70	70	67	67	67
1	1	66	63	60	58	64	62	59	57	59	57	55
2	2	60	55	51	47	58	54	50	47	51	48	45
3	3	55	48	43	39	53	47	43	39	45	41	38
4	4	50	43	37	33	49	42	37	33	40	36	32
5	5	46	38	33	29	45	37	32	28	36	32	28
6	6	42	34	29	25	41	34	29	25	33	28	25
7	7	39	31	26	22	38	31	26	22	30	25	22
8	8	37	28	23	20	36	28	23	20	27	23	19
9	9	34	26	21	18	33	26	21	18	25	21	18
10	10	32	24	19	16	31	24	19	16	23	19	16

Information supplied primarily for illustrative purposes, subject to change.
Consult factory for verification and minimum quantity orders. Photometrics and/or performance summaries for your particular layout available, consult factory.

