

COMFORT-LUME® “HT” HIGH TRANSMISSION

1x4 ACHT Series **J7114**

APPLICATIONS

ELEGANT DESIGN: The J7114 provides the look and feel of a deep luminaire – subtle soft indirect elements, creating interest and depth across the ceiling plane – in a package that consumes minimal space and material.

EFFICIENT SOLUTIONS: The contoured panels of the diffuser are high transmission acrylic that provide a low-brightness glow, with the majority of the light controlled through the center optical element.



SPECIFICATIONS

CONSTRUCTION: Die formed of 20 gauge steel, rigidly fabricated, and electrically welded to insure true and perfect alignment.

REFLECTOR: Multi-radii high reflectance white reflector, distributes the light through both optical elements. Other reflectors available, see OPTIONS.

ELECTRICAL: 1 and 2 lamp T5 electronic program start 450MA for 14W, 28W and 300MA to 460MA for 24W and 54W T5HO, or 1 and 2 lamp Octic T8 265MA electronic instant start ballasts, or Rapid Start HPF 270MA Biax lamps. High Power Factor, Class A sound rated <10% THD (less than 10% Total Harmonic Distortion). U.L., CSA, FCC listed Type 1 for multi-voltage 120/277 50/60Hz operation. Other voltages and frequencies available, CONSULT FACTORY.

LAMPS: (by others) See ORDERING DATA.

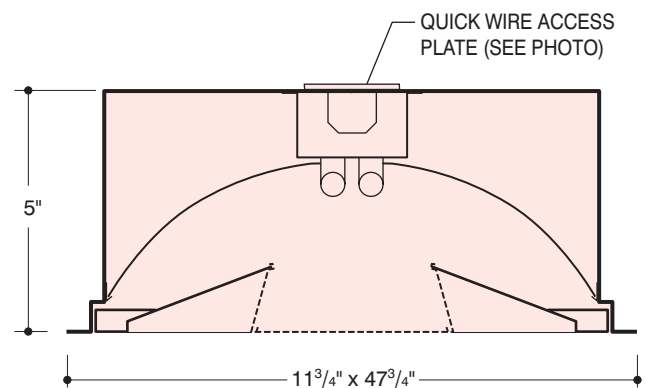
DIRECT OPTICAL COMPONENT: High reflectance optical engine delivers main beam focus through the revolutionary Dur-iFlex™ HT diffusing panel. With 93% transmission and 89% haze, the result is extraordinary control and efficiency.

DIFFUSER SURROUND: (2) sloping high transmission acrylic diffuser panels manage contrast and generate soft, even, higher angle luminance.

MOUNTING: For grid type ceilings, 15/16" & 9/16" x 1 1/2" T-Bars rest on the flanges of the exposed Tee. Fine-Line Clips are supplied. The corners of the ceiling opening grid should be well supported (by others) to withstand the weight of the fixture.

FINISH: All steel component parts are completely protected against rust and discoloration after fabrication through an automated conveyorized multi-stage phosphate bonding process. Finished with an electrostatic baked white polyester thermosetting powder coating. This electronic computer controlled integrated system assures consistent reflectance efficiency and maximum durability.

CERTIFICATION: The Series J7114 is U.L., and C.U.L. listed and bears the label of the I.B.E.W./AFL-CIO, Local #3. Optionally U.L. listed for Damp Location “DL”.



COMFORT-LUME®, XTRALUME® and LEGION® are registered trademarks of LEGION LIGHTING CO., INC.



3/11

Section B -Page 111a.1



221 Glenmore Ave., Brooklyn, NY 11207 • Tel: 718/498-1770 • Fax: 718/498-0128
E-mail: sales@legionlighting.com • Website: www.legionlighting.com • Toll Free Fax: 800/4-LEGION

ORDERING DATA

Nom. Size	No. and Type Lamps	Specify Ceiling	Wt.	Catalog No.	
1x4	T5	2-F28-T5	J	29	J7114-228-ACHT
		2-F54HO-T5			J7114-254HO-ACHT
	BIAX	2-FO32-OCT-T8			J7114-232-ACHT
		▲ 2-F40TT/RS			J7114-2BX40-ACHT
		▲ 2-F50TT/RS			J7114-2BX50-ACHT
		▲ 2-F55TT/RS			J7114-2BX55-ACHT

▲ F40TT/RS, F50TT/RS and F55TT/RS are the ANSI designation of various lamp manufacturers, i.e. G.E. Lighting “BIAX”, Phillips “PL”, Osram “Dulux L”, Sylvania TWIN TUBE.

OCTRON™ is a registered trademark of SYLVANIA

OPTIONS

Suffix “LT” after catalog no. for cold weather ballast.
 Suffix “EM” after catalog no. for emergency battery pack, see price list for types.
 Suffix “DL” after catalog no. for damp location.
 Suffix “DIM” after catalog no. for dimming ballast.

OPTIONAL REFLECTORS

Suffix “XTA” after cat. no. for XTRALUME® reflector standard with 85% reflectance, for 95% reflectance specify your requirements and consult factory.
 Suffix “XTALD” after cat. no. for linear ribbed matted diffuser, and consult factory.
 Suffix “WO” after cat. no. for white optics, and consult factory.

FLANGE KIT

Suffix “FK1x4” after catalog no. for 1x4 fixture, cut ceiling opening 12½"x48½".

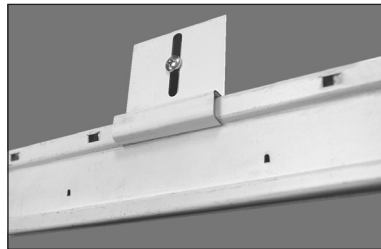
DIMMING BALLASTS

Suffix “EBDO” to catalog no. for T8 Dimming Ballast.
 Suffix “EBDP” to catalog no. for T5 Dimming Ballast.
 Suffix “EBDX” to catalog no. for BIAX Twin-Tube Dimming Ballast.
 Suffix “EBDOA” to catalog no. for electronic dimming ballast.
ADVANCE MARK X.
 Suffix “ECO-10” to catalog no. for electronic dimming ballast LUTRON ECO-10.
 Suffix “HIL” to catalog no. for LUTRON HI-LUME dimming ballast.
 Suffix “H3D” to catalog no. for LUTRON HI-LUME 3D dimming ballast.
 Suffix “ECO-5” to catalog no. for LUTRON ECO SYSTEM.

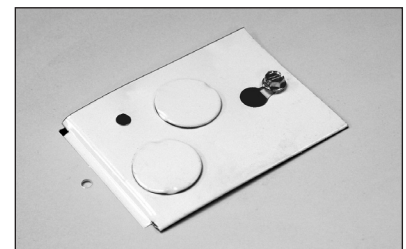
Legion is a Lutron® Silver Partner

Lutron® is a registered trademark of Lutron Electronics

OTHER DIMMING BALLASTS AVAILABLE, CONSULT FACTORY.
 PROGRAM START AVAILABLE.



FINE LINE CLIP



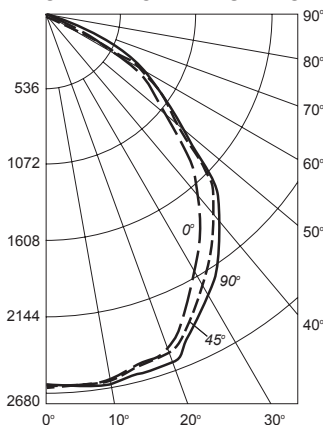
QUICK WIRE ACCESS PLATE ON TOP OF FIXTURE

PHOTOMETRIC DATA

Cat. No. J7114-232-ACHT
 Direct/Indirect Luminaire
 with Acrylic HT Panels
 Lamps: (2) F32-T8
 rated 2900 Lumens each

ZONAL LUMEN SUMMARY			
Zone	Lumens	% Bare Lamp	% Luminaire
0-30	2105	21.1	32.5
0-40	3392	33.9	52.3
0-60	5573	55.7	85.9
0-90	6485	64.8	100.0
0-180	6485	64.8	100.0

CANDLEPOWER DISTRIBUTION



COEFFICIENTS OF UTILIZATION

Floor	20%							
	80%			70%		50%		
Ceiling	70%	50%	30%	70%	50%	10%	50%	10%
0	.77	.77	.77	.75	.75	.75	.72	.72
1	.72	.69	.67	.70	.68	.64	.65	.62
2	.66	.62	.58	.65	.61	.54	.58	.53
3	.61	.55	.51	.60	.54	.47	.53	.46
4	.57	.50	.45	.55	.49	.41	.47	.40
5	.52	.44	.39	.51	.44	.35	.42	.35
6	.48	.40	.35	.47	.39	.31	.38	.30
7	.44	.36	.31	.43	.36	.27	.35	.27
8	.41	.32	.27	.40	.32	.24	.31	.23
9	.38	.29	.24	.37	.29	.20	.28	.20
10	.35	.27	.21	.34	.26	.18	.26	.18

Information supplied primarily for illustrative purposes, subject to change.
 Consult factory for verification and minimum quantity orders. Photometrics and/or performance summaries for your particular layout available, consult factory.

