

APPLICATIONS

The PARALUME® OP series troffers with Legion's energy efficient ultra high light output reflector, directs light out of the fixture direct to the task situation and provides low visual brightness.



SPECIFICATIONS

HOUSING: Die formed of 20 ga. cold rolled steel, rigidly fabricated, and electrically welded to insure true and perfect alignment.

SOCKET PLATE: Die formed of code gauge cold rolled steel, securely mounted and readily removable for socket maintenance.

REFLECTORS: Made of code gauge cold rolled steel and optically precision die formed, which directs light out of the fixture and focuses it directly onto the task, then finished with an electrostatic baked white polyester thermosetting powder coating with a consistent 88%+ reflectance efficiency and maximum durability increasing the light output. Achieving higher quality lighting and low visual brightness where you need it.

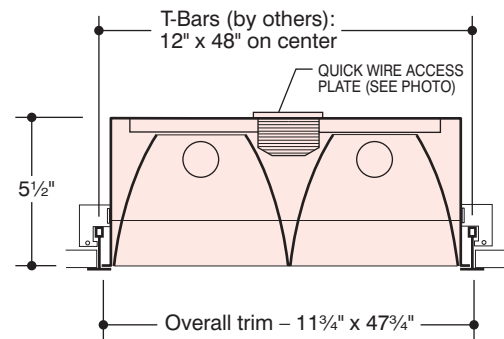
ELECTRICAL: 1 and 2 lamp T5 electronic program start 450MA for 14W, 28W and 300MA to 460MA for 24W and 54W T5HO, or 1 and 2 lamp Octic T8 265MA electronic instant start ballasts. High Power Factor, Class A sound rated <10% THD (less than 10% Total Harmonic Distortion). U.L., CSA, FCC listed Type 1 for multi-voltage 120/277 50/60Hz operation. Other voltages and frequencies available, CONSULT FACTORY.

LAMPS: (by others) See ORDERING DATA.

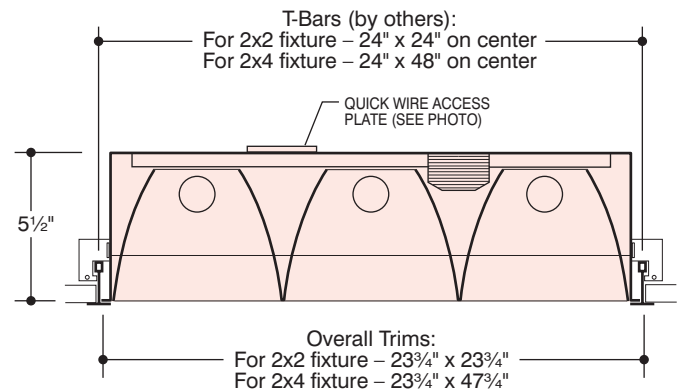
MOUNTING: For grid type ceilings, 15/16" & 9/16" x 1 1/2" T-Bars rest on the flanges of the exposed Tee. Integral Pull-Out Clips are supplied. The corners of the ceiling opening grid should be well supported (by others) to withstand the weight of the fixture.

FINISH: All steel components parts are completely protected against rust and discoloration after fabrication through an automated conveyorized multi-stage phosphate bonding process. Finished with an electrostatic baked white polyester thermosetting powder coating. This electronic computer controlled integrated system assures consistent 88%+ reflectance efficiency and maximum durability.

CERTIFICATION: U.L. and C.U.L. listed and bears the I.B.E.W./AFL-CIO label, Local #3.



1'x4' fixture



2'x2' & 2'x4' fixtures

ORDERING DATA

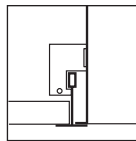
Nominal Size	No. and Type Lamp	Weight	Catalog No.
1 x 4	2-F28-T5	28	J571-228-OP
	2-F54HO-T5		J571-254HO-OP
	2-FO32-OCT-T8		J571-232-OP
2 x 2	3-F14-T5	25	J571-314-OP
	3-F24HO-T5		J572-324HO-OP
	3-FO17-OCT-T8		J572-317-OP
2 x 4	3-F28-T5	38	J572-328-OP
	3-F54HO-T5		J572-354HO-OP
	3-FO32-OCT-T8		J572-332-OP

OCTRON™ is a registered trademark of SYLVANIA

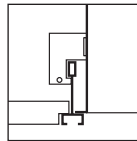
CEILINGS

- ++ Type (J) Exposed inverted "T" ceiling.
- ++ Type (J) Concealed inverted "T" ceiling.
- ++ Type (J) Exposed inverted "T", Tegular ceiling.
- ++ Type (J) Exposed inverted "T", Finline ceiling.

++ (J) Exposed troffer supplied with pull-out clips. The corners of the ceiling opening should be well supported to withstand the weight of the troffer.



EXPOSED "T" BAR
Type "J" Lay-In



FINE LINE
Type "J" Lay-In

OPTIONS

- Suffix "DIM" after catalog no. for dimming ballast.
- Suffix "LT" after catalog no. for cold weather ballast.
- Suffix "EM" after cat. no. for emerg. battery pack, see price list for types.
- Suffix "DL" after catalog no. for damp location.
- Suffix "XTA" after catalog no. for XTRALUME® specular reflector
XTA85 85% reflectance, or XTA95 95% reflectance, please specify your requirements.
- Suffix "XTALD" after catalog no. and consult factory.
For a HI-TECH visual appearance, a linear ribbed matte diffuse XTRALUME® reflector (see detail below) is optionally available in lieu of the standard white reflector.

FLANGE KITS

- Suffix "FK1x4" after catalog no. for 1x4 fixture,
cut ceiling opening 12½"x48½".
- Suffix "FK2x2" after catalog no. for 2x2 fixture,
cut ceiling opening 24½"x24½".
- Suffix "FK2x4" after catalog no. for 2x4 fixture,
cut ceiling opening 24½"x48½".

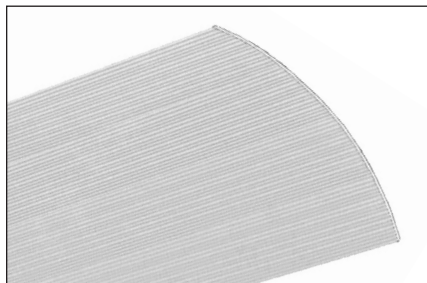
ELECTRONIC BALLASTS

- Suffix "EBDOA" to catalog no. for electronic dimming ballast
ADVANCE MARK X.
- Suffix "ECO-10" to catalog no. for electronic dimming ballast
LUTRON ECO-10.
- Suffix "HIL" to catalog no. for LUTRON HI-LUME dimming ballast.

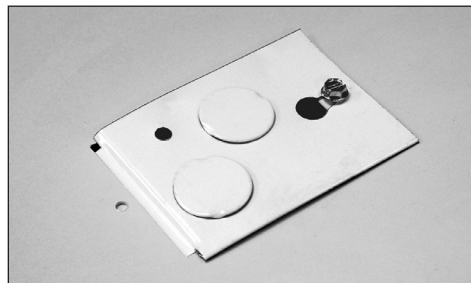
Legion is a Lutron® Silver Partner

Lutron® is a registered trademark of Lutron Electronics.

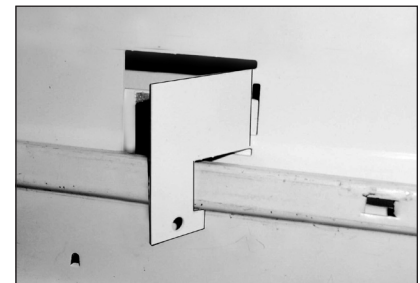
OTHER DIMMING BALLASTS AVAILABLE, CONSULT FACTORY.



For a HI-TECH visual appearance, a linear ribbed matte diffuse XTRALUME® reflector is optionally available in lieu of the standard white reflector, add suffix "XTALD" to catalog number.



QUICK WIRE ACCESS PLATE ON TOP OF FIXTURE



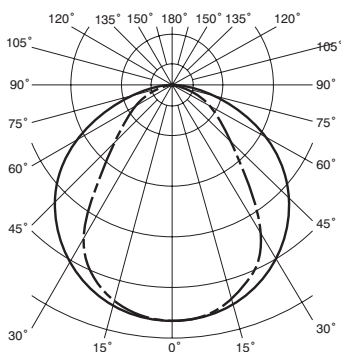
DETAIL SHOWING PULL-OUT CLIP

Legion is a Lutron® Silver Partner

PHOTOMETRICS

Cat. No. J571-232-OP

Lamps: (2) F32T8/TL841/ALTO
rated 2850 lumens each



		Coefficients of Utilization – Zonal Cavity Method										
		20%										
Floor												
Ceiling												
Walls		70%	50%	30%	10%	70%	50%	30%	10%	50%	30%	10%
0		.88	.88	.88	.88	.86	.86	.86	.86	.82	.82	.82
1		.81	.78	.75	.73	.79	.77	.74	.72	.73	.71	.69
2		.75	.69	.65	.61	.73	.68	.64	.60	.65	.62	.59
3		.69	.61	.56	.52	.67	.60	.55	.51	.58	.54	.50
4		.63	.55	.49	.44	.62	.54	.48	.44	.52	.47	.44
5		.58	.50	.43	.39	.57	.49	.43	.39	.47	.42	.38
6		.54	.45	.39	.34	.53	.44	.38	.34	.43	.39	.34
7		.50	.41	.35	.31	.49	.40	.35	.30	.39	.34	.30
8		.47	.38	.32	.27	.46	.37	.31	.27	.36	.31	.27
9		.44	.35	.29	.25	.43	.34	.29	.25	.33	.28	.25
10		.41	.32	.26	.23	.40	.32	.26	.23	.31	.26	.23

LIGHTING CRITERIA: The PARALUME® OP can achieve 65 footcandles maintained based on 1.3 watts per square foot, with 8' or 9' ceiling height, in large room indexes. Checker board ceiling patterns are recommended to achieve the highest energy efficiency and the greatest light uniformity.

SUGGESTIONS: It is recommended that the units be lamped with warm white deluxe lamps. This results in high efficiency, low brightness and provides a very pleasant color environment for all purposes. In large rooms that are long and narrow, we suggest that the units run perpendicular to the length. This precludes the tunneling effect that fluorescent lighting units would create.

Information supplied primarily for illustrative purposes, subject to change. Consult factory for verification and minimum quantity orders. For other Photometric Data, consult factory.