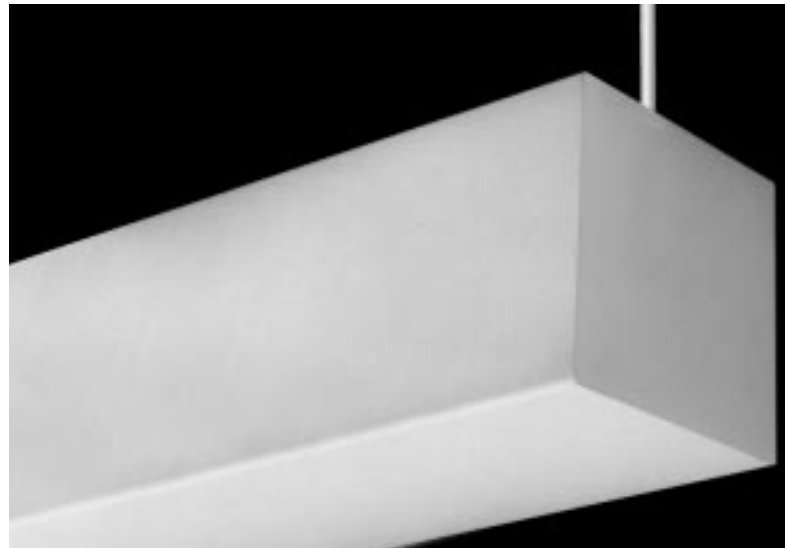


APPLICATIONS

- Conference Rooms*
- Bank Lobbies*
- Libraries*
- Schools*
- Atriums*
- Hallways*
- Health Centers*
- Corporate Offices*
- Art Galleries*



SPECIFICATIONS

CONSTRUCTION: Die formed of 20 gauge cold rolled prime steel, rigidly fabricated, and electrically welded to insure true and perfect alignment.

SOCKET PLATES: Die formed of code gauge steel and mounted securely to fixture housing.

REFLECTOR: Die formed of code gauge steel and securely mounted to fixture housing. CAD/CAM designed to optically correct contour to provide precise light distribution with maximum efficiency, removable to access wiring. XTA-XTRALUME® energy efficient reflector available (see Options).

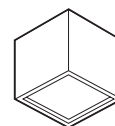
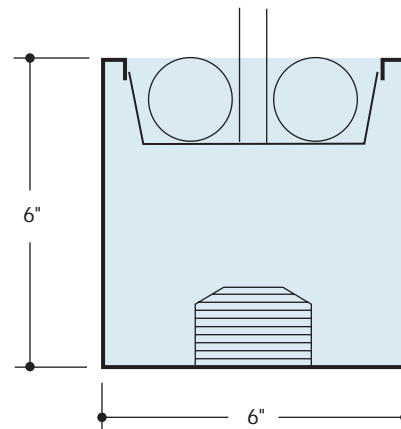
ELECTRICAL: Thermally protected class "P" Energy Saving Rapid Start HPF 265MA-T8, 430MA-T12, Trigger Start LPF, Slimline 265MA-T8 and 425MA-T12, High Output 800MA-T12, and 270MA-Biax (Twin Tube) magnetic ballasts for 118V 60 Hz operation standard. Optional electronic ballasts, other voltages and frequencies available, (consult factory).

FINISH: All steel component parts are completely protected against rust and discoloration after fabrication through an automated conveyorized multi-stage phosphate bonding process. Finished with an electrostatic baked white polyester thermosetting powder coating. This electronic computer controlled integrated system assures consistent 88%+ reflectance efficiency and maximum durability. Other colors available, see color chart and CONSULT FACTORY.

MOUNTING: Installed cable or stem mounted, singly or in continuous rows. For continuous mounting, knockouts are removed in end cap and units joined together.

CERTIFICATION: The Mod-U-Beam® Series ID606 luminaire is U.L. and C.U.L. listed and bears the label of the I.B.E.W./AFL-CIO, Local #3.

MOD-U-BEAM®, XTRALUME® and LEGION® are registered trademarks of LEGION LIGHTING CO., INC.



**MATCHING
CORNER BOX**
6" x 6" x 6"
ID606-CB

ORDERING DATA

Catalog No.	No. and Type Lamps	Width	Length
ID606-120	1-20W-TS-T12	6"	24"
ID606-117 EBO	1-FO17-OCT-T8		
ID606-220	2-20W-TS-T12		
ID606-217 EBO	2-FO17-OCT-T8	6"	36"
ID606-130	1-30W-RS-T12		
ID606-125 EBO	1-FO25-OCT-T8		
ID606-230	2-30W-RS-T12	6"	48"
ID606-225 EBO	2-FO25-OCT-T8		
ID606-140	1-40W-RS-T12		
ID606-132 EBO	1-FO32-OCT-T8	6"	60"
ID606-240	2-40W-TS-T12		
ID606-232 EBO	2-FO32-OCT-T8		
ID606-148HO	1-60W-HO-T12	6"	72"
ID606-248HO	2-60W-HO-T12		
ID606-160 EBO	1-FO40-OCT-T8		
ID606-260 EBO	2-FO40-OCT-T8	6"	96"
ID606-130-6T	2-30W-RS-T12		
ID606-125-6T EBO	2-FO25-OCT-T8		
ID606-230-6T	4-30W-RS-T12	6"	*144"
ID606-225-6T EBO	4-FO25-OCT-T8		
ID606-172SL	1-55W-SL-T12		
ID606-272SL	2-55W-SL-T12	6"	*192"
ID606-172HO	1-85W-HO-T12		
ID606-272HO	2-85W-HO-T12		
ID606-140-8T	2-40W-RS-T12	6"	6"
ID606-132-8T EBO	2-FO32-OCT-T8		
ID606-240-8T	4-40W-RS-T12		
ID606-232-8T EBO	4-FO32-OCT-T8	6"	6"
ID606-196SL	1-75W-SL-T12		
ID606-296SL	2-75W-SL-T12		
ID606-196SL EBO	1-FO96-OCT-T8	6"	6"
ID606-296SL EBO	2-FO96-OCT-T8		
ID606-196HO	1-110W-HO-T12		
ID606-296HO	2-110W-HO-T12	6"	6"
ID606-172-12TSL	2-55W-SL-T12		
ID606-272-12THO	2-85W-HO-T12		
ID606-196-16TSL	2-75W-SL-T12	6"	6"
ID606-196-16TSL EBO	2-FO96-OCT-T8		
ID606-196-16THO	2-110W-HO-T12		
ID606-CB, Corner Box	NONE	6"	6"

OPTIONS

- Suffix "DIM" after catalog no. for dimming ballast.
- Suffix "LT" after catalog no. for cold weather ballast.
- Suffix "EM" after cat. no. for emerg. battery pack, see price list for types.
- Suffix "DL" after catalog no. for damp location.
- Suffix "XTA" after catalog no. for XTRALUME® reflector std. with 85% reflectance, for 95% reflectance please specify your requirements.
- Consult factory for availability and minimum quantity order.

ENERGY SAVING BALLASTS Where applicable (consult factory). Suffix "ESB" after catalog number, then / and one of the following:

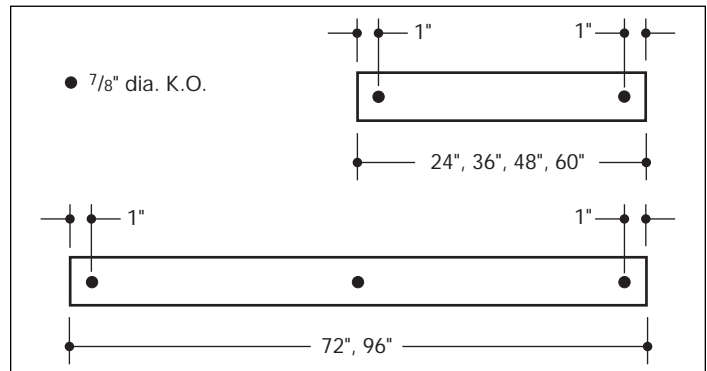
MAGNETIC

- "SLH"-Super Low Heat T12 Ballast
- "PRE"-Premium III T12 Ballast
- "OCT"-Octron T8 Ballast

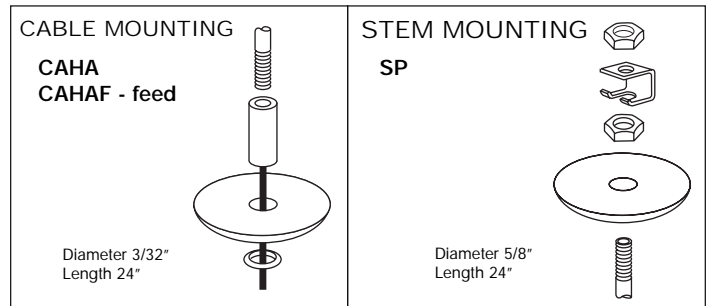
ELECTRONIC

- "EB"-Electronic T12 Ballast
- "EBO"-Electronic T8 Octron Ballast
- "EBD"-Electronic T12 Dimming Ballast
- "EBDO"-Electronic T8 Dimming Ballast

BACK PLAN



Information supplied primarily for illustrative purposes, subject to change. Consult factory for verification and minimum quantity orders.



UNITS FOR BIAx LAMPS - CONSULT FACTORY

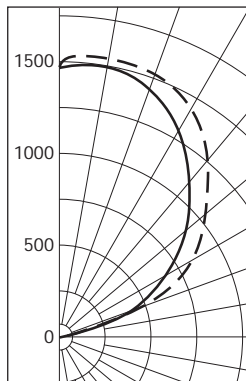
For 1 lamp units, lamps mounted diagonally - CONSULT FACTORY.

EXTENSION BOXES: For Corner Box, Extensions, Fillers and Angles CONSULT FACTORY.

* Housing supplied in 2 equal sections, coupled together in field by installing contractor.

PERFORMANCE DATA

CANDLEPOWER DISTRIBUTION



COEFFICIENTS OF UTILIZATION

Chart is for 2 lamp fixture. (Using 40W lamps)

Floor	20%									
	80%			50%			30%			
Ceiling	70%	50%	30%	10%	50%	30%	10%	50%	30%	10%
Wall	ZONAL CAVITY METHOD									
RCR										
1	.63	.60	.57	.55	.35	.34	.33	.29	.20	.19
2	.57	.52	.48	.44	.31	.29	.27	.18	.17	.16
3	.52	.46	.41	.37	.27	.24	.22	.15	.14	.13
4	.47	.40	.35	.31	.24	.21	.19	.14	.12	.11
5	.43	.36	.30	.26	.21	.18	.16	.12	.11	.10
6	.40	.32	.27	.23	.19	.16	.14	.11	.09	.08
7	.37	.29	.24	.20	.17	.14	.12	.10	.08	.07
8	.34	.26	.21	.18	.16	.13	.11	.09	.06	.06
9	.32	.24	.19	.16	.14	.12	.10	.08	.07	.06
10	.30	.22	.17	.14	.13	.10	.09	.08	.06	.05