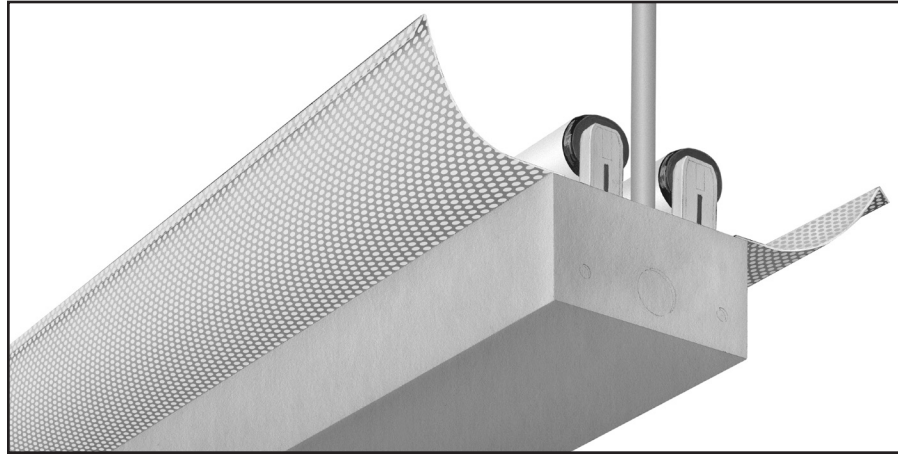


APPLICATIONS

The "INDIRECT PERF-LITE" offers the most economical indirect quality lighting, yet achieving high efficiency. Blending simplicity, economy and visual comfort in a unique look. High levels of glare free illumination is projected upward. This makes it ideal for use in Stores, Art Galleries, Health Centers, Shopping Malls and anywhere that a new look is required.



SPECIFICATIONS

CONSTRUCTION: Die formed of 20 gauge cold rolled prime steel, rigidly fabricated, and electrically welded to insure true and perfect alignment.

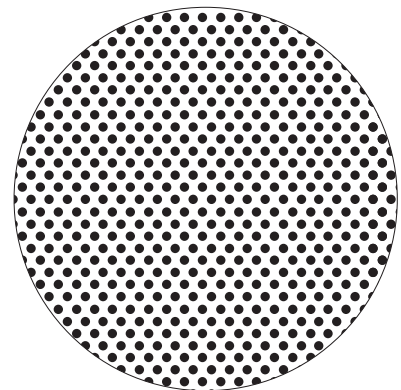
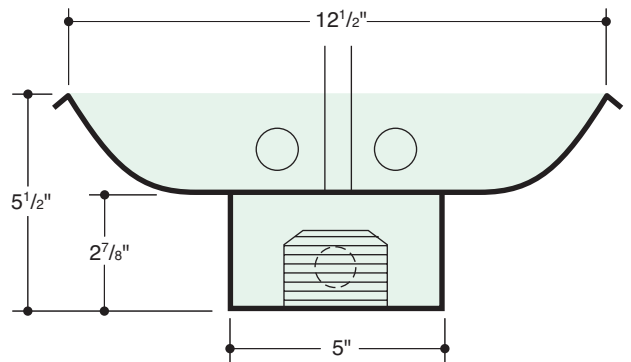
REFLECTOR: Symmetrical design, code gauge steel, CAD engineered to optically correct contour, with a highly reflective post powder coated finish, provides high performance efficiency and maximum distribution of light spread. XTA-XTRALUME® energy efficient reflector available, (see OPTIONS).

ELECTRICAL: Thermally protected Class "P" Energy Saving Instant Start HPF 265MA-T8 electronic ballasts standard for 118 volt 60 Hz operation. Optional ballasts, voltages and frequencies available, see OPTIONS and consult factory.

MOUNTING: Installed stem or cable mounted, singly or in continuous rows. For continuous mounting, knockouts are removed in end cap and units joined together. Adequate knockouts for stem mounting are provided for indirect mounting. The exposed housing is devoid of any holes, or KO's giving it a clean uncluttered finish. End of run plates and chain mount end plates are optional (see OPTIONS listing).

FINISH: All steel component parts are completely protected against rust and discoloration after fabrication through an automated conveyerized multi-stage phosphate bonding process. Finished with an electrostatic baked white polyester thermosetting powder coating. This electronic computer controlled integrated system assures consistent 88%+ reflectance efficiency and maximum durability. Other colors available, see color chart and CONSULT FACTORY.

CERTIFICATION: The INDIRECT PERF-LITE Series ID2950 is U.L. and C.U.L. listed and bears the label of the I.B.E.W./AFL-CIO, Local #3. Optionally listed for damp location



PERFORATED HEAVY GAUGE METAL REFLECTOR, 41% OPEN PATTERN PROVIDES A SOFT DIFFUSE GLOW. FINISHED WHITE POWDER COAT.

XTRALUME® and LEGION® are registered trademarks of LEGION LIGHTING CO., INC.

ORDERING DATA

Catalog No.	No. and Type Lamps	Wt.	Length
* ID2950-232 EBO	2-FO32-OCT-T8	15	12 1/2" x 48"
* ID2950-232-8T EBO	4-FO32-OCT-T8	30	12 1/2" x 96"
ID2950-296SL EBO	2-FO96-OCT-T8		

ALL UNITS ARE AVAILABLE FOR T5 LAMPS - CONSULT FACTORY WITH WATTAGE REQUIREMENTS.

MATCHING 2', 3', 5' AND 6' UNITS AVAILABLE, CONSULT FACTORY FOR AVAILABILITY AND MINIMUM QUANTITY ORDER.

OCTRON™ is a registered trademark of SYLVANIA

OPTIONS

- Suffix "DIM" after cat. no. for Dimming ballast.
- Suffix "LT" after cat. no. for Cold Weather ballast.
- Suffix "EM" after cat. no. for Emergency Battery Pack and see price list for types.
- Suffix "DL" after cat. no. for Damp Location.
- Suffix "A12" after cat. no. for 12% Apertures.
- Suffix "EP" after cat. no. for End Plates to cover sockets.
- Suffix "EPC" after cat. no. for Chain Mount End Plates.

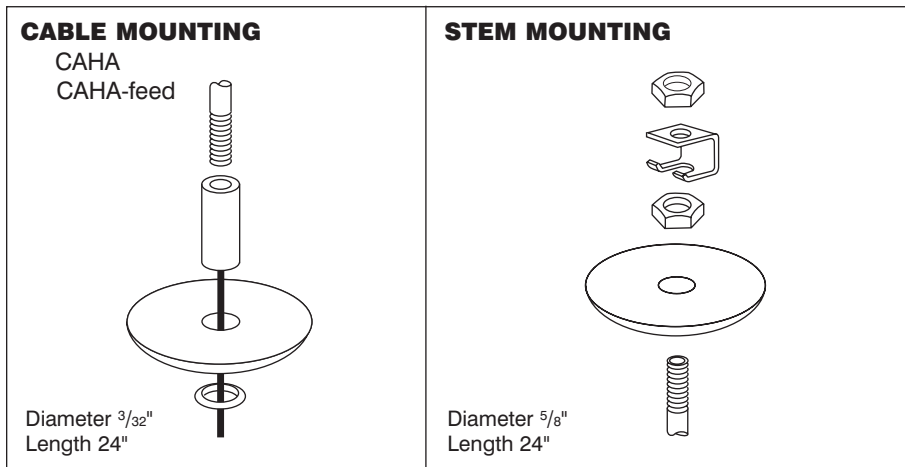
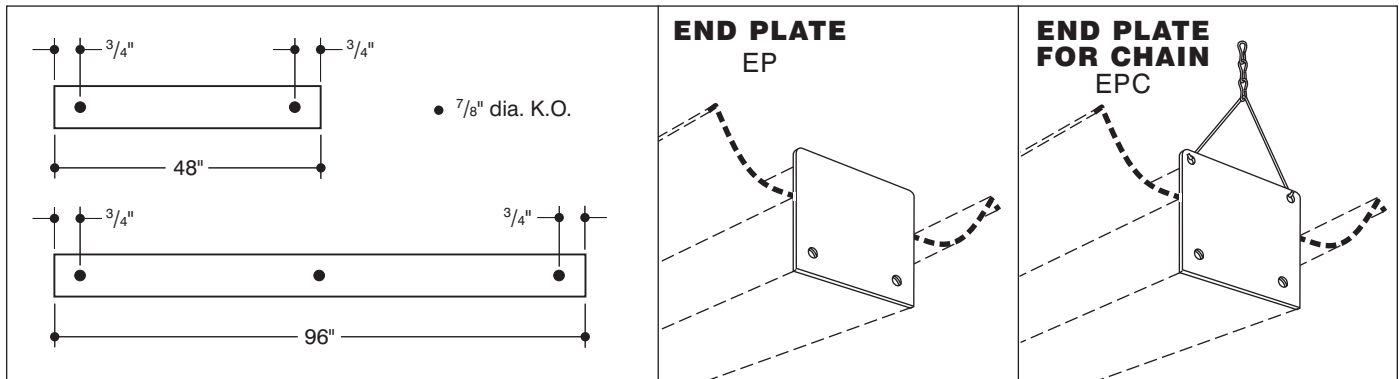
ELECTRONIC

- "EBO"-Electronic T8 Octron Ballast
- "EBDO"-Electronic T8 Dimming Ballast

As a Energy Star® Partner, Legion Lighting Co., Inc. has determined that the Series ID2950 Indirect Perf-Lite Starred * meets the Energy Star® guidelines for energy efficiency. Please consult factory for specific information.



MOUNTING LOCATIONS



Information supplied primarily for illustrative purposes, subject to change. Consult factory for verification and minimum quantity orders and Photometric Data