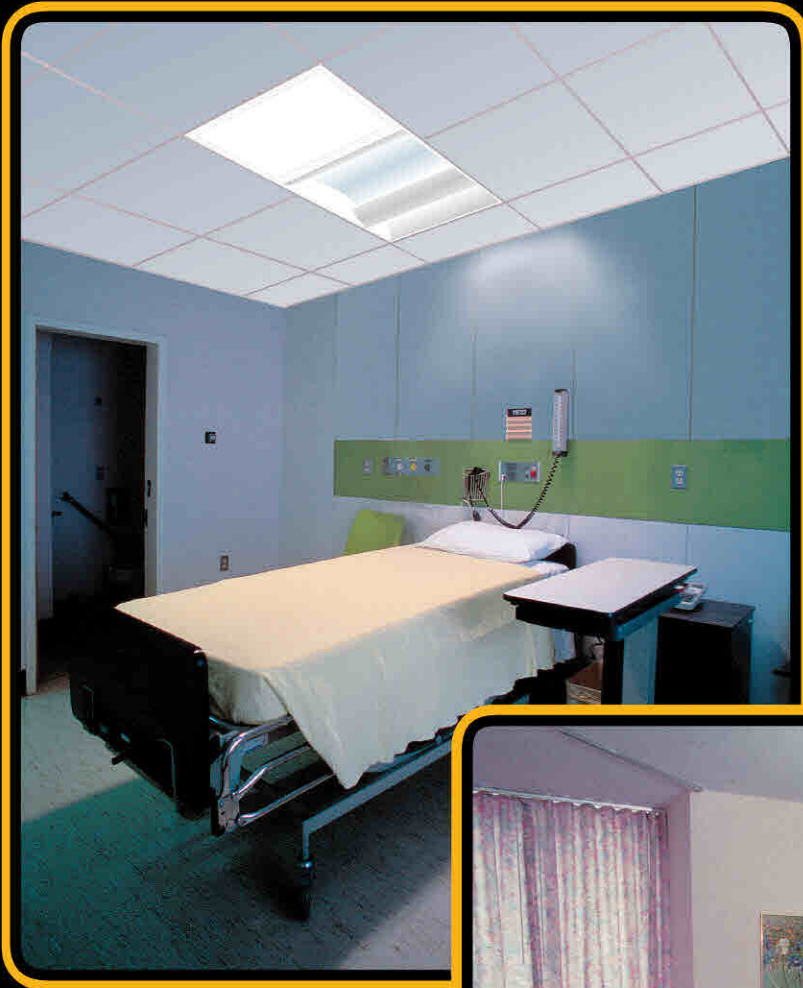




*Lighting for Patient
Rooms in Hospitals
and Health Care
Facilities*



*Hospital Patient
Room Light*



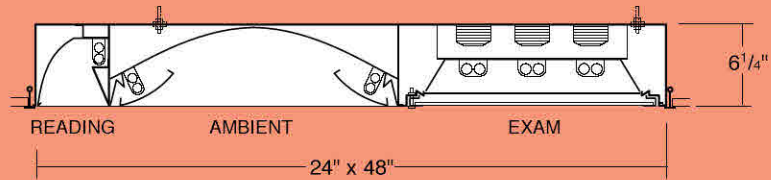
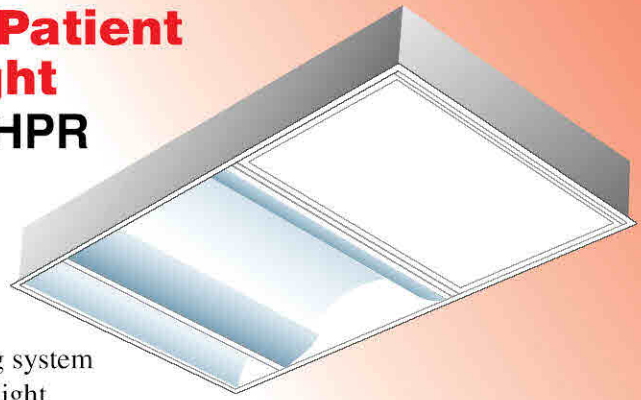
*Hospital
Bedlite*

To keep pace with the ever increasing demand for better and more energy efficient patient room lighting in Hospitals and Health Care Facilities.

LEGION has designed a broad and unique line of recess and overbed lighting. The requirements of both patients and staff were taken into account in the design of these fixtures. The optimum in comfort for the patient as well as the efficiency of performance and ease of maintenance was strived for and accomplished.

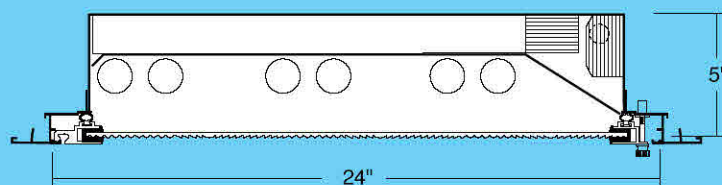
Hospital Patient Room Light Series 862HPR

- Cost effective
- Singular 2x4 recess modular installation
- Multi-Task functional lighting system
 - * Patient reading light
 - * Ambient soft glare free lighting
 - * Examination light extra high efficiency
 - * Night light option
- Separate circuiting for multi-control
- Optional "SQR" Sequential switch relay for pillow switch control
- CAD/CAM engineered design, precision manufactured



Hospital Surgical Troffer Series 662HST

- Computer designed Surgical Suite Recess Troffer
- High performance illumination
- CAD designed Asymmetric/Symmetric RFI acrylic shielding
- Fully gasketed extruded aluminum door construction
- Silicone sealed for resistance to moisture, dust and bacteria
- Extruded aluminum door and trim
- Continuous hinged door
- Complies with U.S. Government MIL-STD. 461A/462/463
- U.L. listed for damp and wet locations
- Matching 2x2 and 2x4 for various configurations and ceilings

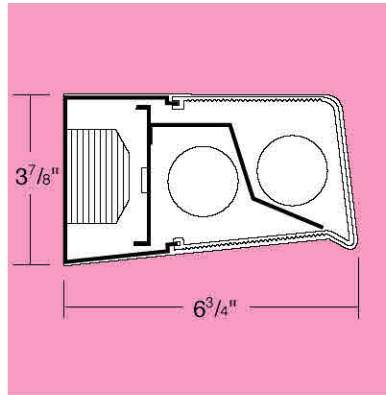
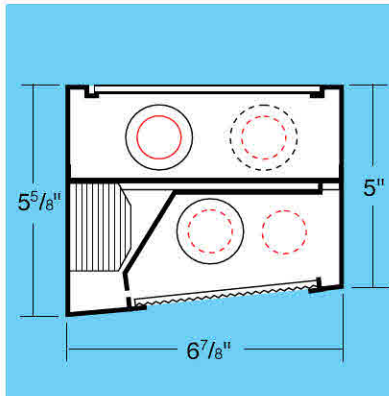


Series 619

Hospital Bedlite

Provides the optimum in over bed lighting in comfort, both visual and psychological.

- Various lamp configurations, T12 or T8
- Available in 3' and 4' lengths
- Optional Shielding media
- Walnut Facia available
- Optional matching painted finishes
- Switch and Nite-Lite options available
- CAD/CAM engineered precision manufacturing



Prismalier® Hospitalite

Delivering maximum light to the task with minimum amount of energy

- Available in 2', 3' and 4' lengths, T12 or T8
- White front facia emits soft glow
- Opposite bed glare eliminated
- Linear bottom prism directs downlight
- Micro internal top lineal prism uplite
- Satin anodized aluminum ends
- Switch and nite-lite options

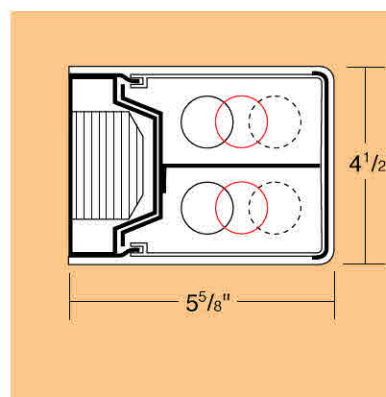
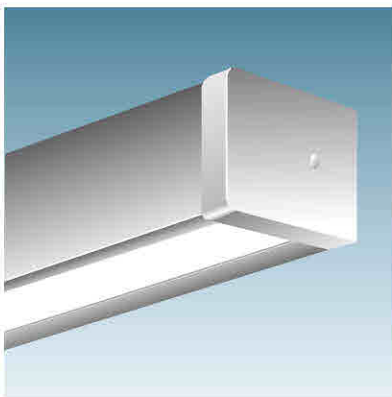
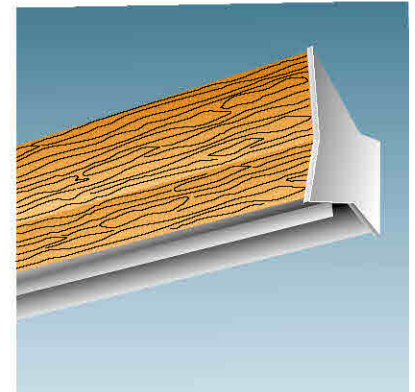
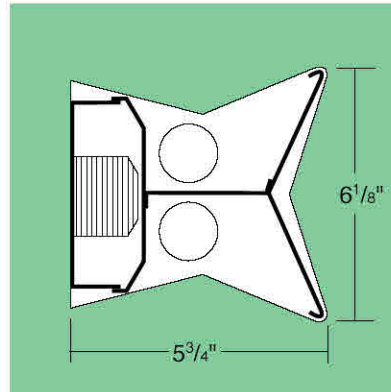
Series 1286

Series 616

Decorelier™ Hospitalite

Tasteful looking bedlight at a moderate price

- Available in 2', 3' and 4' lengths T12 or T8
- Optional walnut or white facia
- Optional matching painted finishes
- Switch and nite-lite options



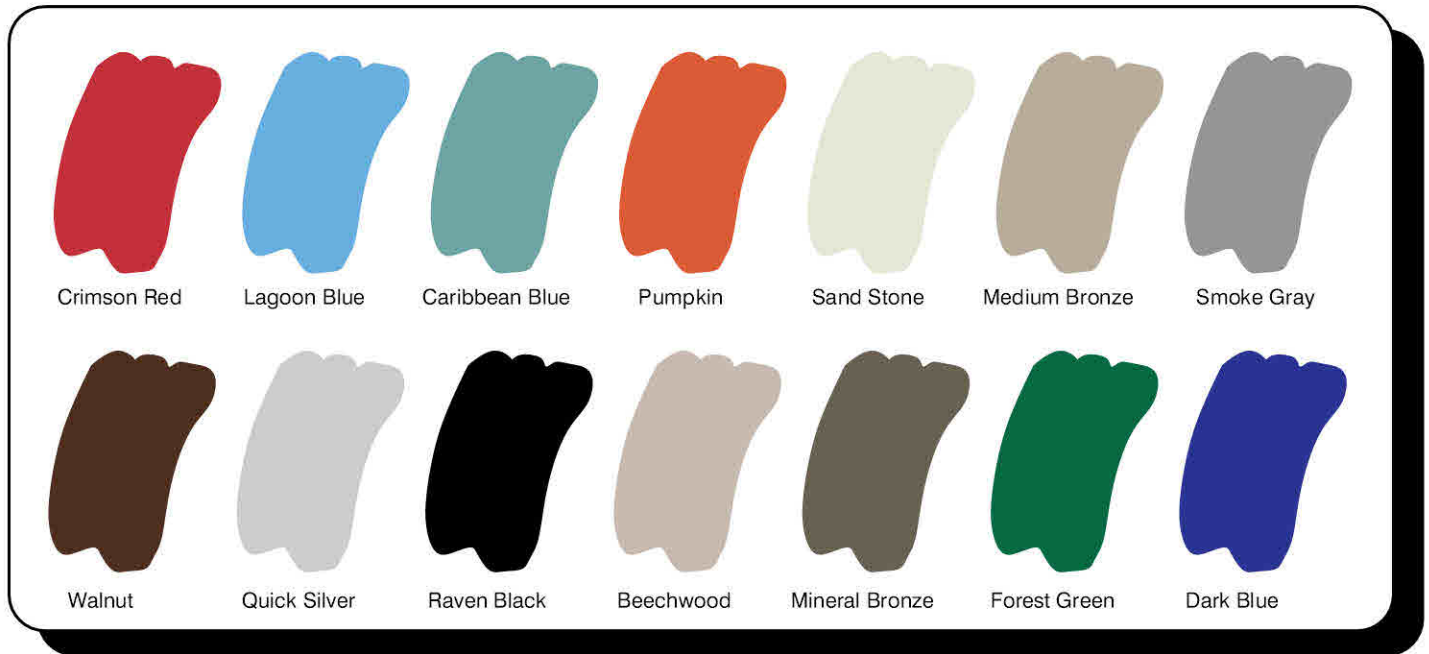
Corritempo® Hospitalite

An efficient and economical approach to overbed lighting

- Available in 2', 3' and 4' lengths
- Various lamp configurations T12 or T8
- Extruded acrylic with lineal prisms
- Optional walnut facia
- Optional matching painted finishes
- Switch and nite-lite options

Series 4303

Finishes



Optional powder coated finishes as shown are available. Consult factory for minimum quantity order and price. Matching colors are available, consult factory.

Special care has been taken to accurately represent the colors you see here. Some variation between these and actual colors may occur due to the limitations of the 4-color printing process.

LEGION LIGHTING PRODUCTS ARE BACKED BY A WEALTH OF DESIGN AND ENGINEERING EXPERIENCE SINCE 1946.

- *State of the art manufacturing*
- *Custom engineering through computers*
- *Sophisticated CAD/CAM computer designs*
- *State of the art powder coating finishing system*
- *Value-added lighting energy efficient products*
- *Installer friendly — easily maintained products*
- *Responsive customer service*
- *Comprehensive product line*
- *U.L. listed, I.B.E.W. - AFL/CIO Local 3*
- *Made in the U.S.A.*
- *Value pricing*
- *Commitment to the environment for a better life*
- *Local agents and distributors nationally*



LEGION®, PRISMALIER® and CORRITEMPO® are registered trademarks of LEGION LIGHTING CO., INC. DECOROLIER™ is a trademark of LEGION LIGHTING CO., INC.

LEGION
LIGHTING CO., INC.

221 Glenmore Ave., Brooklyn, NY 11207 • Tel: 718/498-1770 • Fax: 718/498-0128
Toll Free Fax: 800/4-LEGION