

APPLICATIONS

The EXHDZ series offers emergency and EXIT illumination that is designed to perform in hazardous environments. The EXHDZ series is approved for installation in NEC Class I, Divisions 1 or 2, Groups C & D; or Class II, Divisions 1 or 2, Groups E, F and G areas. The EXHDZ series uses copper-free cast aluminum housings that offer trouble-free installation and durability.



SPECIFICATIONS

The EXHDZ series housings are constructed from corrosion resistant, copper-free cast aluminum. The quick access thread on cover allows for trouble-free installation and reduces general maintenance time. A one-way stainless breather provides proper and effective unit ventilation. External test switch and monitor LED are standard. The EXHDZ series is capable of supporting remote emergency fixtures and exit signage.

INTERNAL SPECIFICATIONS

The EXHDZ series is configured with universal 120/277 VAC input with solid state charging circuitry. Standard features include low voltage disconnect, AC lockout and brownout protection.

INSTALLATION

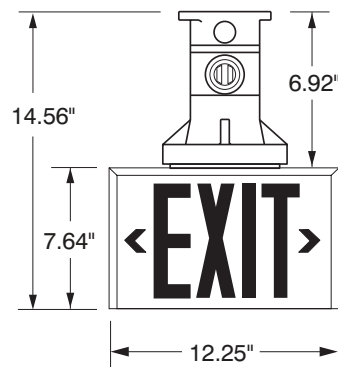
The EXHDZ luminaire is suitable for surface wall or ceiling and pendant mounting. Suitable for installation and operation in NEC Class I, Div 1 or 2, Groups C & D; or Class II, Div 1 or 2, Groups E, F & G areas.

LAMP SELECTION

6V halogen: 8WH, 10WH, 12WH, 20WH
 12V halogen: 8WH, 12WH, 20WH
 24V halogen: 12WH, 20WH
 120V compact: (CF) compact fluorescent: 2 x 13W

MECHANICAL SPECIFICATIONS

The EXHDZ Series housing is constructed from corrosion resistant, heavy duty cast aluminum. Exit sign face plates and frame are constructed from durable 20 gauge steel, standard with a white baked powder coat finish. Fixture mounting can be specified as either ceiling mount, wall mount or pendant mount. All lamp wiring is supplied pre-pulled, sealed and ready for input circuit connection. Exact dimensions and mounting arrangements will vary depending on the mounting configuration.



6" High Stencil Letters, 3/4" Stroke

LAMP HEAD / FIXTURE FEATURES

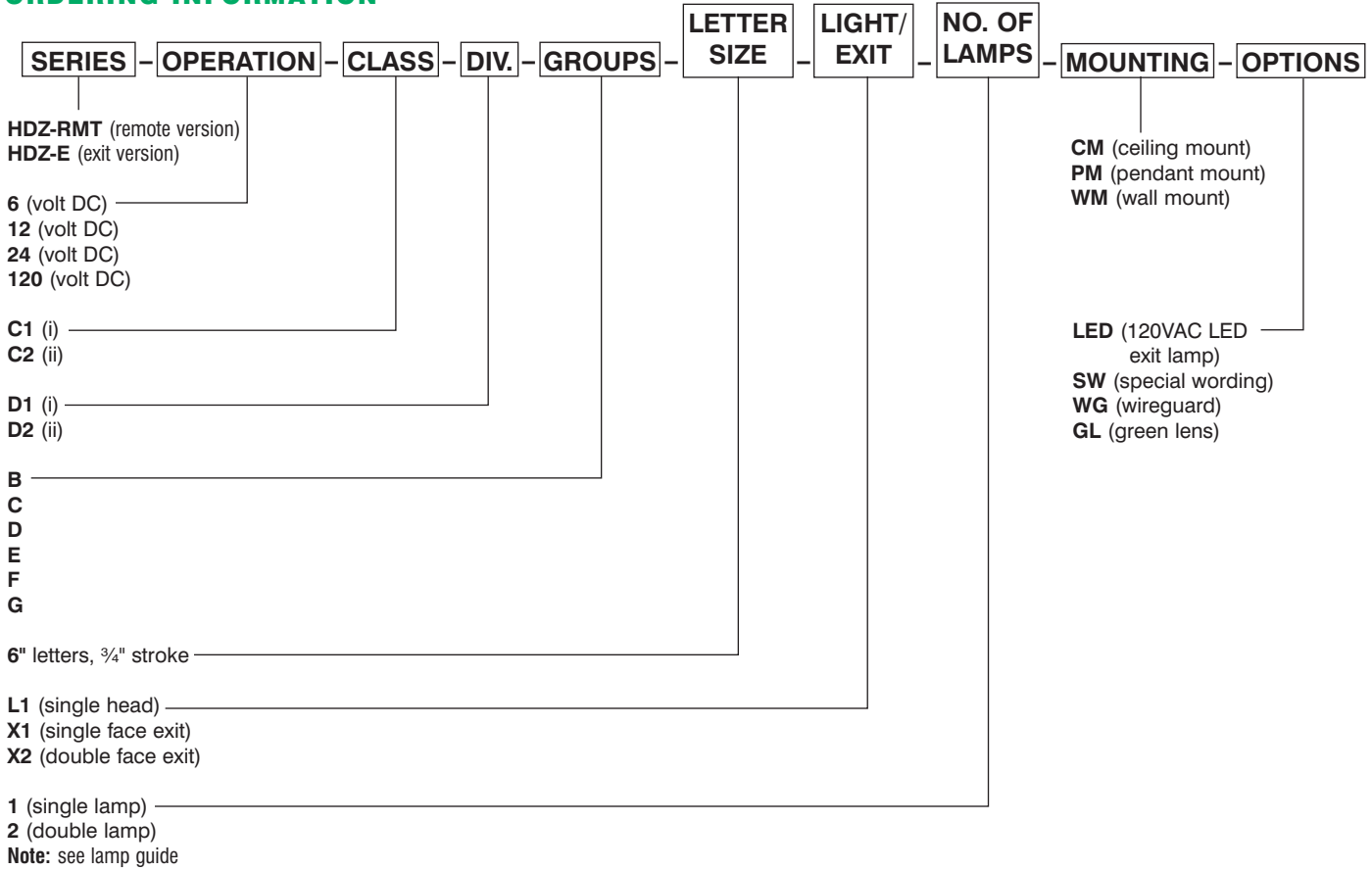
The EXHDZ series offer a variety of lamp and fixture combinations. Each emergency lighting head can be configured with one or two fully adjustable lamp and reflector assemblies contained within the globe enclosure. Supported DC voltages of 6VDC, 12VDC or 24VDC utilize a wedge or bi-pin based incandescent lamp. 120VAC utilize a medium base lamp. Exit sign faceplate(s) and frame are constructed from durable 20 gauge steel, standard with a white baked powder coat finish. Custom exit colors and signage/graphics are also available.

INSTALLATION

The EXHDZ series of emergency lighting and exit fixtures are suitable for surface wall, surface ceiling and pendant mounting as specified. Suitable for various Class, Division and Group ratings as specified.

LEGION® is a registered trademark of LEGION LIGHTING CO., INC.

ORDERING INFORMATION



EXHDZ BUILDER

SERIES	OPERATION	CLASS	DIV.	GROUPS	LETTER SIZE	LIGHT/EXIT	NO. OF LAMPS	MOUNTING	OPTIONS



Information supplied primarily for illustrative purposes, subject to change.
 Consult factory for verification and minimum quantity orders.

