

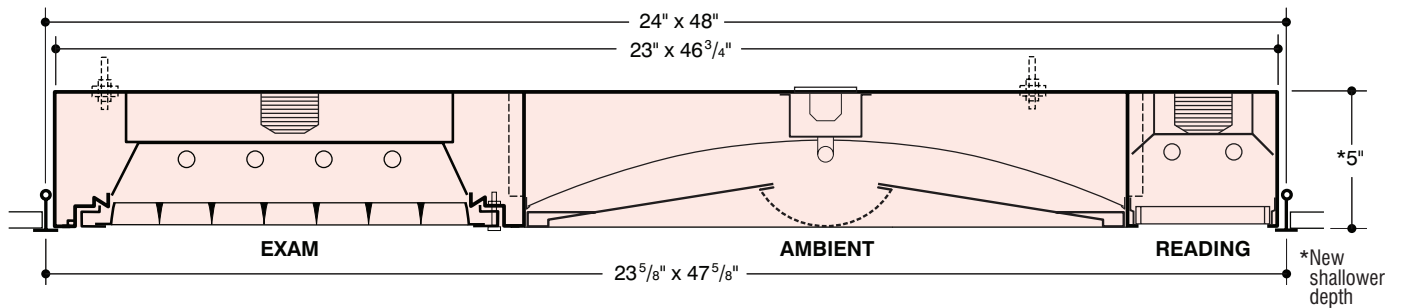
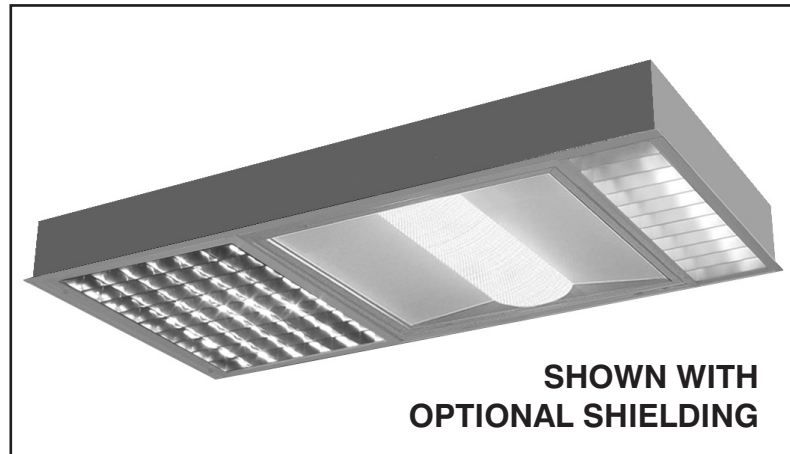
High Transmission Hospital Patient Room Light

NEW SHALLOWER DESIGN

Series
762HPR

FEATURES

- NEW SHALLOWER DESIGN WITH HIGH TRANSMISSION AMBIENT SECTION
- COST EFFECTIVE HOSPITAL PATIENT ROOM LIGHT.
- SINGULAR 2x4 RECESS MODULE FOR EASE OF INSTALLATION.
- MULTI-TASK FUNCTIONAL LIGHTING SYSTEM:
 - * Patient Reading Light
 - * Ambient Soft Glare Free Lighting with "HT" Diffusing Panels.
 - * Examination Light Extra High Efficiency
 - * Night Light Option
- SEPARATE CIRCUITING FOR MULTI CONTROL
- CAD/CAM ENGINEERED PRECISION MANUFACTURED.
- MANY OPTIONAL SHIELDINGS AVAILABLE.



SPECIFICATIONS

CONSTRUCTION: Die formed of 20 gauge cold rolled steel, rigidly fabricated. and electrically welded to insure true and perfect alignment.

REFLECTOR: Ambient and Exam sections, code gauge cold rolled steel, CAD designed for optimum lighting control, finished in white. Reading section, CAD designed for optimum efficiency. All are removable to access wiring.

SHIELDING: *Exam section* – 18 gauge cold rolled steel door, electrically welded with concealed weld gussets at corner joints for rigidity, with exclusive "LIGHT-LOCK"™ design for light tight fit to housing. Hinges from either side on 16 gauge Tee Slot Hinges and secured with knurled screws for easy relamping and supplied standard with Low Brightness Acrylic Refractor. *Ambient Section* – supplied standard with swing down door and direct-indirect component: Integrates a traditional perforated metal basket with an acrylic overlay. The sloping acrylic side panels and unique lamp placement maintains a look and feel of a deep unit, subtle soft indirect elements, interest and depth across the ceiling plane. *Reading Section* – supplied standard with tip tilt Low Brightness Prismatic Acrylic Refractor. Other shieldings available for all Sections (see OPTIONS and consult factory).

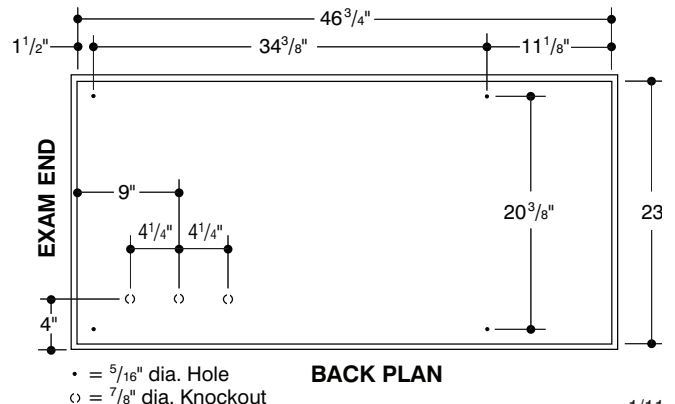
ELECTRICAL: Electronic Programmed Start 14W T5, 24W T5HO, 270MA Biax, Twin Tube, High Power Factor, Class A sound rated, U.L., CSA, FCC Listed Type 1 for multi-volt operation. Other voltages and frequencies available, CONSULT FACTORY.

MOUNTING: Designed to integrate into most standard lay-in grid and Finline ceilings. Unit rests on the flanges of the exposed tee. Knockouts are provided on back and ends for feed and thru wiring. **Fixture must be independently supported from the suspended ceiling (rod support suggested).**

FINISH: All steel component parts are completely protected against rust and discoloration after fabrication through an automated conveyerized multi-stage phosphate bonding process. Finished with an electrostatic baked white polyester thermosetting powder coating. This electronic computer controlled integrated system assures consistent high reflectance efficiency and maximum durability. Available OxyShield and OxyGuard 2 stage process, (see OPTIONS). Visit our website for details.

CERTIFICATION: The Hospital Patient Room Light Series 762HPR is U.L. and C.U.L. listed and bears the label of the I.B.E.W./AFL-CIO, Local #3.

LIGHT-LOCK™ is a trademark of LEGION LIGHTING CO., INC.
LEGION® is a registered trademark of LEGION LIGHTING CO., INC.



Series 762HPR

High Transmission Hospital Patient Room Light New Shallower Design

ORDERING DATA

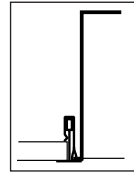
Catalog No.		No. and Type Lamps	Weight	Nominal Size
T5	762-814-ACPF	8-F14T5	75 lbs	2' x 4'
	762-824HO-ACPF	8-F24HOT5		
BIAX	762-6BX40-ACPF	*6-F40TT/RS	80 lbs	
	762-6BX50-ACPF	*6-F50TT/RS		
	762-6BX55-ACPF	*6-F55TT/RS		

*F40TT/RS, F50TT/RS and F55TT/RS is the ANSI designation of various lamp manufacturers, i.e.: G.E. Lighting "BIAX", Phillips "PL", Osram "Dulux L", Sylvania "Twin Tube".

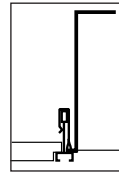
CEILINGINGS

- ++ Type (J) Exposed inverted "T" ceiling.
- ++ Type (J) Concealed inverted "T" ceiling.
- ++ Type (J) Exposed inverted "T", Tegular ceiling.
- ++ Type (J) Exposed inverted "T", Fineline ceiling.
- ++ (J) Exposed troffers. The corners of the ceiling opening should be well supported to withstand the weight of the troffer.

CONSULT FACTORY FOR FLANGED AND SURFACE MOUNTING.



EXPOSED "T" BAR
Type "J" Lay-In



FINE LINE
Type "J" Lay-In

OPTIONS

Suffix "LT" after catalog no. for cold weather ballast.
 Suffix "EM" after cat. no. for emerg. battery pack, see price list for types.
 Suffix "DL" after catalog no. for damp location.
 Suffix "DIM" after catalog no. for dimming ballast.

FLANGE KITS

Suffix "FK2x4" after cat. no. for 2x4 fixture, cut ceiling opening 24½"x48½".

DIMMING BALLASTS

Suffix "EBDO" to catalog no. for T8 Dimming Ballast.
 Suffix "EBDP" to catalog no. for T5 Dimming Ballast.
 Suffix "EBDX" to catalog no. for BIAX Twin-Tube Dimming Ballast.
 Suffix "EBDOA" to catalog no. for electronic dimming ballast.
 ADVANCE MARK X.

Suffix "ECO-10" to catalog no. for electronic dimming ballast
 LUTRON ECO-10.

Suffix "HIL" to catalog no. for LUTRON HI-LUME dimming ballast.
 Suffix "H3D" to catalog no. for LUTRON HI-LUME 3D dimming ballast.
 Suffix "ECO-5" to catalog no. for LUTRON ECO SYSTEM.

Legion is a Lutron® Silver Partner

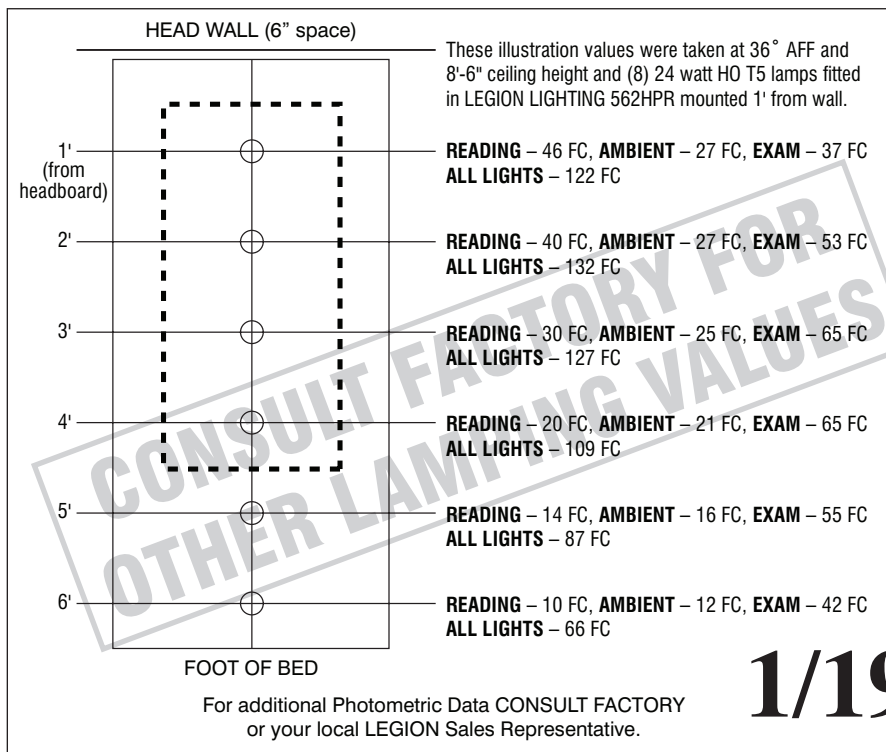
Lutron® is a registered trademark of Lutron Electronics

OTHER DIMMING BALLASTS AVAILABLE, CONSULT FACTORY.
 PROGRAM START AVAILABLE.

SPECIFY ORDERING FROM DATA BELOW

Mounting	Series	Lamp Type	Reading Section		Ambient Section		Exam Section		Voltage	Options
			# of Lamps	Diffuser	# of Lamps	Diffuser	# of Lamps	Diffuser		
Blank (Surface) J (Grid) F (Flange)	762	F14-T5 F24-T5HO BX40 BX50	1 or 2 (F14-T5) 1 or 2 (F24-T5HO) 1 only (BX40) 1 only (BX50)	R (RFA) K (K19A) F (FA) P (PWA) L (LB)	1,2 or 3 (F14-T5) 1,2 or 3 (F24-T5HO) 1 or 2 (BX40) 1 or 2 (BX50)	PS (PERF) LB (PSLB) LS (PSLS)	3 or 4 (F14-T5) 3 or 4 (F24-T5HO) 3 or 4 (BX40) 3 or 4 (BX50)	R (RFA) K (K19A) F (FA) P (PWA) A (AL) AP (AP54)	1 (120V) 2 (277V) U (UNV)	SQR (Low Voltage electronic sequential switching relay) OX (OxyShield/OxyGuard anti bacterial coating) FILT (Radio Interference filter) NL/PL (Night light for PL fluorescent lamp) EM (Emergency battery pack)

PHOTOMETRIC DATA



PATIENT READING LIGHT

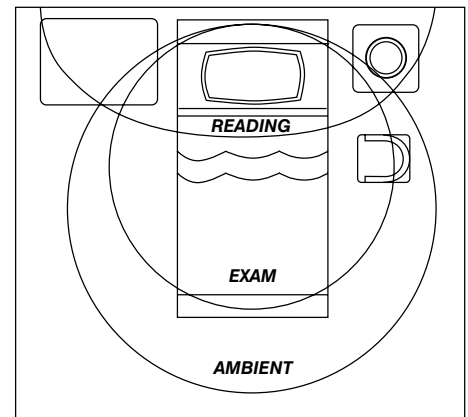
Enables patients to read without disturbing others. No direct glare to patient or visitors.

EXAMINATION LIGHT

Illumination over the entire bed for the doctors and nurses examinations.

AMBIENT LIGHT

Soft light provides glare free illumination to the whole patient room environment.



1/19

LEGION
LIGHTING CO., INC.