

### APPLICATIONS

The SECURLUME® series of recessed troffers are designed and precision engineered for durability and high efficiency. Fully gasketed construction for resistance to moisture, dust and vermin. The SECURLUME is U.L. listed for damp locations and wet locations. Suitable for use in Hospitals, Psychiatric Wards, Penal Institutions, Laboratories, Exterior Soffits, Toll Booths and High Abuse Areas.



### SPECIFICATIONS

**HOUSING:** Die formed of 20 ga. cold rolled prime steel, rigidly fabricated, and electrically welded to insure true and perfect alignment. Vermin proof units are optionally available with all seams silicone sealed to resist moisture, dust and bacteria, suffix "VP" after catalog no.

**SOCKET PLATE:** Die formed of code gauge cold rolled steel, securely mounted, accessible for maintenance.

**REFLECTOR:** CAD/CAM designed and formed of code gauge steel to optically correct contour to provide precise light distribution with maximum efficiency, and effective glare control, removable to access wiring. XTRALUME® energy efficient reflector available (see Options).

**DOOR FRAME & TRIM FLANGE:** Heavy gauge extruded aluminum door frame with precision mitered corners, and a fully integrated gasket to prohibit entrance of moisture, dust, or bacteria. Door frames are secured by knurled head screws opposite concealed continuous hinge. Trim flanges are heavy gauge extruded aluminum and precision mitered.

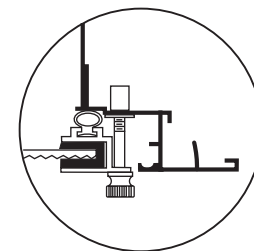
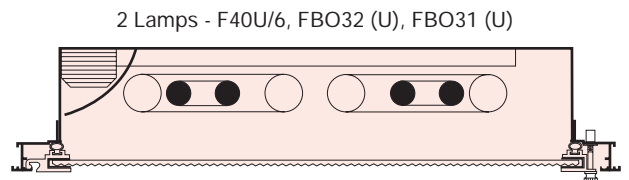
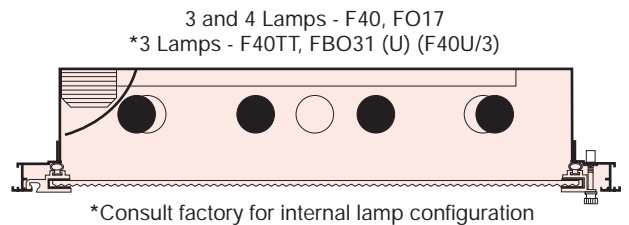
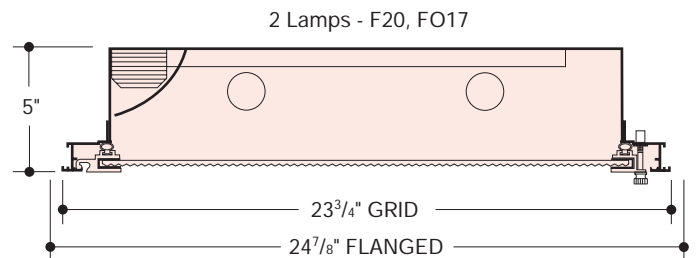
**ELECTRICAL:** Thermally protected Class "P" Energy Saving Rapid Start HPF 265MA-T8, 430MA-T12, 270MA-Biax (Twin Tube), Trigger Start LPF magnetic ballast for 118V 60 Hz operation standard. Optional electronic ballasts, other voltages and frequencies available, (consult factory).

**MOUNTING:** Designed to integrate into most standard ceilings. Quick Mount Leveling Jacks are supplied which are designed to mount on the ceiling supporting system on concealed mechanical Flanged Trim units, metal pan, sheet rock, or wet plaster ceilings. For grid type ceilings, unit rests on the flanges of the exposed spline or tee. Fine Line Clips are supplied on units used in Fine Line type ceilings. The corners of the fixture opening should be well supported to withstand the weight of the troffer. See ceilings and specify type. Knockouts provided on back and ends for feeding – continuous runs, advise factory.

**FINISH:** All steel component parts are completely protected against rust and discoloration after fabrication through an automated conveyorized multi-stage phosphate bonding process. Finished with an electrostatic baked white polyester thermosetting powder coating. This electronic computer controlled integrated system assures consistent 88%+ reflectance efficiency and maximum durability.

**CERTIFICATION:** The SECURLUME® Series 672 is U.L. and C.U.L. listed and bears the label of the I.B.E.W./AFL-CIO, Local #3. Optionally U.L. and C.U.L. listed for damp locations "DL", and wet locations "WL".

SECURLUME®, XTRALUME® and LEGION® are registered trademarks of LEGION LIGHTING CO., INC.



**FULLY INTEGRATED  
DUAL GASKETING  
FOR OPTIMUM SEALING**

08/01

Section F – Page 3

ORDERING DATA

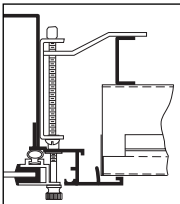
Nominal Size	No. and Type of Lamps	Specify Ceiling	Wt.	Catalog No.
2' x 2'	2-20W-TS-T12	* F,J	27	672-220
	2-FO17-OCT-T8			672-217 EBO
2' x 2'	3-20W-TS-T12	* F,J	30	672-320
	3-FO17-OCT-T8			672-317 EBO
2' x 2'	4-20W-TS-T12	* F,J	30	672-420
	4-FO17-OCT-T8			672-417 EBO
2' x 2'	● 2-U40W-RS-T12	* F,J	27	672-2U40
	▲ 3-FBO32-OCT-T8			▲ 672-2U32 EBO
2' x 2'	■ 3-U40W-RS-T12	* F,J	27	■ 672-3U40
	⊗ 3-FBO31-OCT-T8			⊗ 672-3U31 EBO
2' x 2'	** 4-40W-RS-T12	* F,J	30	672-2BX40
2' x 2'	** 4-40W-RS-T12	* F,J	30	672-3BX40

▲ SPECIFY U-LAMP SPACING:

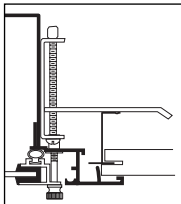
- Suffix /6 after catalog no. for 6" center lamps (T8).
- Suffix /1 after catalog no. for 1 5/8" center lamps (T8).
- Example: **F672-2U40/6** or **2U32/6** or **2U31/1**.
- Lamp spacing made for 6" center U-lamps, 3 5/8" center U-lamps consult factory.
- Lamp spacing made for 3 5/8" center U-lamps only. Consult factory for availability.
- ⊗ Lamp spacing made for 1 5/8" center U-lamps only.
- \*\* F40TT/RS is the ANSI designation of various lamp manufacturers, i.e.: G.E. Lighting "Blax", Philips "PL", Osram "DULUX-L", Sylvania Twin Tube. For F50TT/RS change catalog number. Example: **F672-2BX50-RFA** etc, and consult factory. For F55TT/RS consult factory.
- \* Advise run lengths when used in continuous runs.

OCTRON™ is a registered trademark of SYLVANIA.

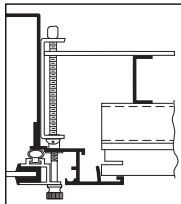
CEILINGS



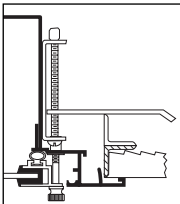
**\*\* Simplex Metal Pan**  
Type "F" Flanged



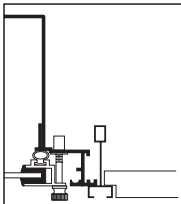
**\* Concealed "Z" Bar**  
Type "F" Flanged



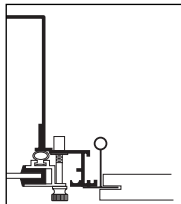
**\*\* Armstrong ATS**  
Type "F" Flanged



**Wet Plaster**  
Type "F" Flanged



**Fine Line**  
Type "J" Lay-In



**Exposed "T" Bar/  
Concealed "T" Bar**  
Type "J" Lay-In

\* "Z" BARS MUST FACE OUTWARDS FROM TROFFER.

\*\* SNAP BAR MUST RUN PERPENDICULAR TO FIXTURE SIDE-MOUNT ON BLACK IRON.

- + Type (F) Wet plaster ceiling. (Requires plaster frame, specify separately) suffix PF.
- + Type (F) Concealed "Z" spline ceiling, Z splines must face outward from troffer.
- + Type (F) Metal Pan Simplex Ceiling – snap bar must run perpendicular to side of troffer – mount on black iron.
- + Type (F) Armstrong ATS – snap bar must run perpendicular to side of troffer – Mount on black iron.
- ++ Type (J) Exposed inverted "T", ceiling.
- ++ Type (J) Concealed inverted "T", ceiling.
- ++ Type (J) Exposed Inverted "T", Tegular ceiling.
- ++ Type (J) Exposed Inverted "T", Fineline ceiling. (Requires Fineline clips) Suffix FLC.

---

- + Flanged troffers provided with Quick Mount leveling jacks.
- ++ The corners of the ceiling opening should be well supported to withstand the weight of the troffer.

Type (F) fixtures cannot butt together end to side.  
A space is required between fixtures.

OPTIONS

- Suffix "LT" after catalog no. for cold weather ballast.
- Suffix "EM" after cat. no. for emerg. battery pack, see price list for types.
- Suffix "DL" after catalog no. for damp location.
- Suffix "WL" after catalog no. for wet location.
- Suffix "VP" after catalog no. for vermin proof, silicone sealant all seams.
- Suffix "TP" after catalog no. for tamper proof screws.
- Suffix "XTA" after catalog no. for XTRALUME® reflector std. with 85% reflectance, for 95% reflectance please specify your requirements.

**ENERGY SAVING BALLASTS** Where applicable (consult factory). Suffix "ESB/" after catalog number, and then one of the following:

- |   |  |
|---|--|
| <p><b>MAGNETIC</b></p> <ul style="list-style-type: none"> <li>"SLH"-Super Low Heat T12 Ballast</li> <li>"MM-I"-Maxi Miser I T12 Ballast</li> <li>"PRE"-Premium III T12 Ballast</li> <li>"OCT"-Octron T8 Ballast</li> <li>"OPT"-Optimizer Ballast</li> <li>"DIM"-Magnetic T12 Dimming Ballast</li> </ul> | <p><b>ELECTRONIC</b></p> <ul style="list-style-type: none"> <li>"EB"-Electronic T12 Ballast</li> <li>"EBO"-Electronic T8 Octron Ballast</li> <li>"EBD"-Electronic T12 Dimming Ballast</li> <li>"EBDO"-Electronic T8 Dimming Ballast</li> </ul> |
|---|--|

SHIELDING MEDIA

- Type (RFA) acrylic plastic refractor.
- Type (FA) flat white acrylic.
- Type (K19A) KSH K19 acrylic lens.
- Type (RFL) polycarbonate Lexan® prismatic refractor.
- Type (C70T) Corning (AIG) #70 lens-tempered glass.
- Type (ACR) KSH-K12 acri-tuf prismatic refractor.

- Recommended lenses for security areas. CONSULT FACTORY FOR MINIMUM QUANTITY ORDER AND AVAILABILITY. Select the diffuser required and add suffix to catalog no. **EXAMPLE: F672-2U40/6-RFA**

FOR PHOTOMETRIC DATA CONSULT FACTORY.

Information supplied primarily for illustrative purposes, subject to change. Consult factory for verification and minimum quantity orders.

