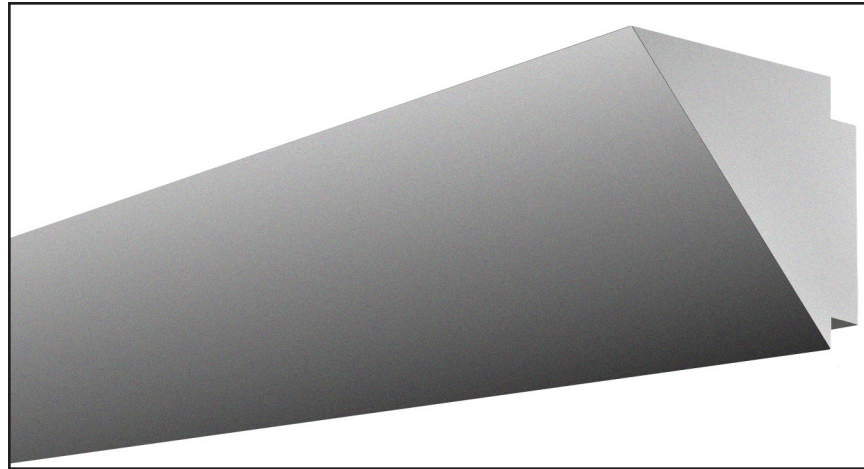


APPLICATIONS

The Vee-Sconce Series 584 is a geometric form of clean design that provides indirect wall accent lighting, while meeting ADA requirements.

Utilizing current lamping sources, compact fluorescent, linear T8 and T5 the Vee-Sconce Series 584 is a highly energy efficient lighting element.

For use in Offices, Corridors, Conference Rooms, Vestibules, Landings and Residential Areas.



SPECIFICATIONS

HOUSING: Die formed of 20 ga. cold rolled prime steel, rigidly fabricated, and electrically welded to insure true and perfect alignment.

SOCKET PLATE: Die formed of code gauge steel and securely mounted to fixture housing, removable to access wiring.

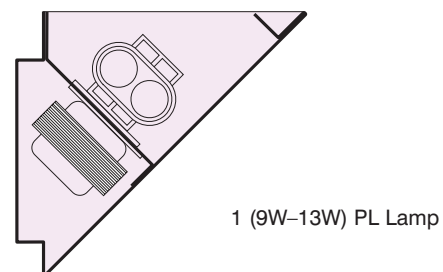
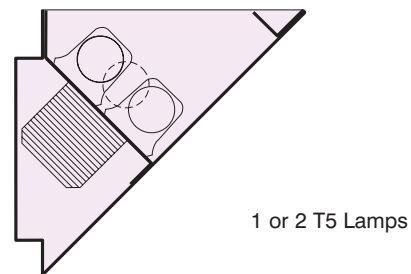
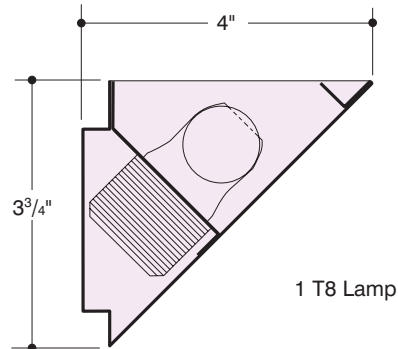
MOUNTING: Wall mounted singly or in continuous rows. For continuous mounting, knockouts are removed in end caps and units joined together. Meets ADA requirement for wall mounting. (4" extension max.)

ELECTRICAL: 1 lamp ballast, magnetic "NPF" for Twin Tube lamps. 1 and 2 lamp Octic T8, 265MA electronic high power factor, class A sound rated, <10% THD (less than 10% Total Harmonic Distortion) 1 and 2 lamp rapid quick start 460MA for 14W, 21W and 28W, and 460MA to 300MA for 24W, 39W and 54W T5HO electronic high power factor, class A sound rated, <10% THD (less than 10% Total Harmonic Distortion), U.L. and C.U.L., CSA, FCC listed Type 1 for 118V 60 Hz operation. For other voltages and frequencies available, consult factory.

FINISH: All steel component parts are completely protected against rust and discoloration after fabrication through an automated conveyorized multistage phosphate bonding process. Finished with an electrostatic baked white polyester thermosetting powder coating. This electronic computer controlled integrated system assures consistent 88%+ reflectance efficiency and maximum durability. Other colors available, see color chart and CONSULT FACTORY.

CERTIFICATION: The Vee Sconce Series 584 luminaire is U.L. and C.U.L. listed and bears the label of the I.B.E.W./AFL-CIO, Local #3.

LEGION® is a registered trademark of LEGION LIGHTING CO., INC.



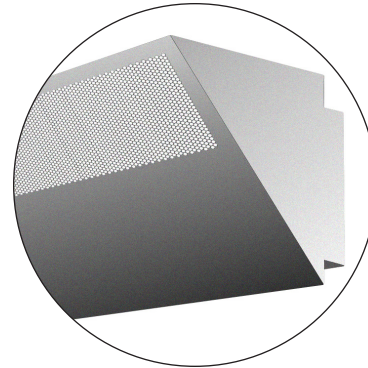
ORDERING DATA

Catalog No.	No. and Type Lamps	Length	Weight
584-1PL9	1-PL9	9"	3
584-1PL13	1-PL13		3
584-117 EBO	1-FO17-OCT-T8	24"	6
584-125 EBO	1-FO25-OCT-T8	36"	8
584-132 EBO	1-FO32-OCT-T8	48"	10
584-114	1-F14T5	22 ³ / ₈ "	6
584-214	2-F14T5		6
584-124HO	1-F24T5HO		6
584-224HO	2-F24T5HO		6
584-121	1-F21T5	34 ¹ / ₄ "	8
584-221	2-F21T5		8
584-139HO	1-F39T5HO		8
584-239HO	2-F39T5HO		8
584-128	1-F28T5	46"	10
584-228	2-F28T5		10
584-154HO	1-F54T5HO		10
584-254HO	2-F54T5HO		10

OPTIONS

Suffix "DL" after catalog no. for damp location.
 Suffix "EM" after cat. no. for remote emergency battery pack (consult factory for availability)
 Suffix "PERF" after catalog no. for perforated face with white acrylic overlay. Consult factory for minimum quantity orders.
 Suffix "STB" after catalog no. for saw tooth brightness dispersion baffle.

Standard finish is white. Other colors available – consult factory for availability and minimum quantity order.

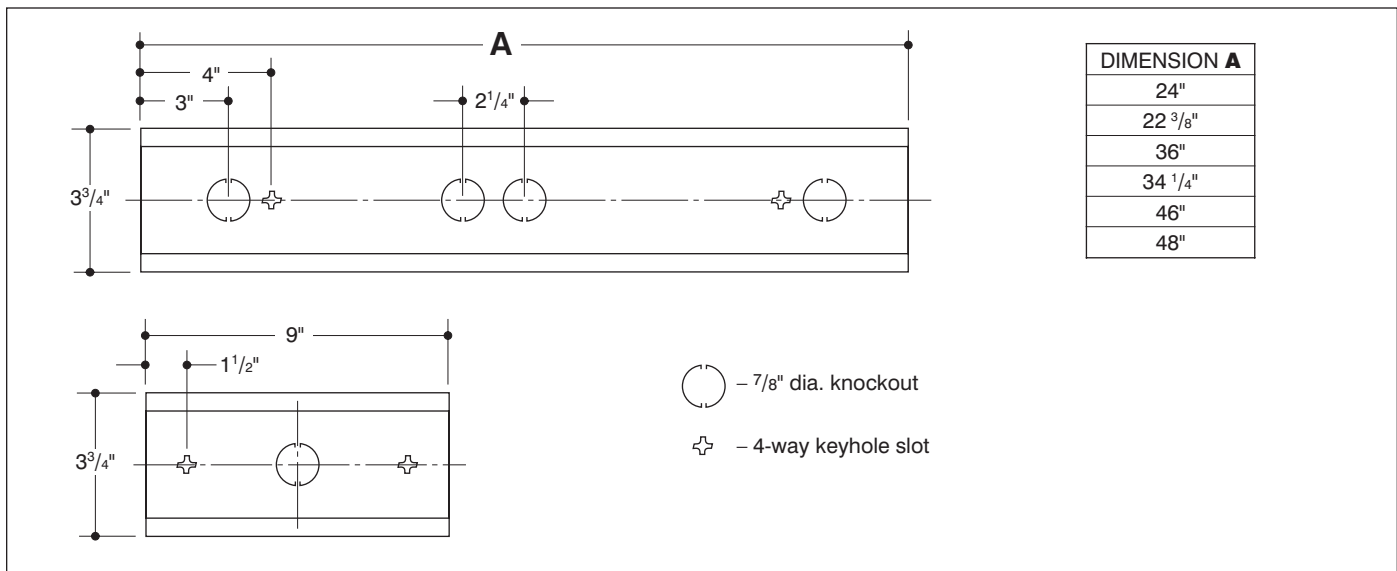


Suffix "PERF"

STB - Saw Tooth brightness dispersion baffle.



BACK PLANS



Information supplied primarily for illustrative purposes, subject to change.
 Consult factory for verification and minimum quantity orders.