

COMPACT CUBE® SECURLUME® /"CCV" Series 5714

APPLICATIONS

The COMPACT CUBE® SECURLUME® /"CCV" for Biax and PL lamps is a high performance recessed, compact fluorescent downlight. The development of the compact fluorescent lamps and the resulting increase in lumen output have provided new possibilities for reducing the size of the fixture itself.

With these specially designed compact cubes, LEGION puts the user in a position to benefit from the best possible advantages of the new compact fluorescent lamps. Security lighting for Loading Docks, Under Canopies, Shower Rooms, Pool Areas, Correctional Facilities.

Security Lighting Wet/Damp Locations



SPECIFICATIONS

HOUSING: Die formed of 20 ga. cold rolled steel, rigidly fabricated, and electrically welded throughout to insure true and perfect alignment. Overhang design permits use of 24 watt and 27 watt lamps.

SOCKET PLATE: Die formed of code gauge cold rolled steel, and mounted securely to fixture housing and readily removable for socket maintenance.

REFLECTOR: Die formed of code gauge cold rolled steel, and mounted securely to fixture housing. Formed to optically correct contour to provide maximum efficiency and minimum surface brightness, and removable for access to wiring without the use of tools.

DIFFUSER: Gasketed, flat white acrylic or prismatic panels, polycarbonate or Acri-Tuf acrylic prismatic panels or Corning glass, see SHIELDING MEDIA table for types available.

DOOR FRAME & TRIM FLANGES: Heavy gauge extruded aluminum door frame with precision mitered corners, and a fully integrated gasket. Door frames are secured by knurled head screws opposite concealed piano hinge. Trim flanges are of heavy gauge extruded aluminum precision mitered and are fully gasketed to prohibit entrance of moisture or dust. Entire assembly finished with baked white synthetic enamel for maximum durability.

BALLAST: Single and / or Two or Three lamp ballast for Octron, Twin Tube, Quad Tube and 2D lamps, for 118V 60 Hz operation, class "P". Consult factory for other voltages and frequencies.

QUICK WIRE ACCESS PLATE: Permits wiring without opening fixture, includes two 7/8" K.O.'s and grounding screw.

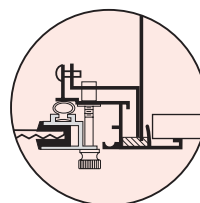
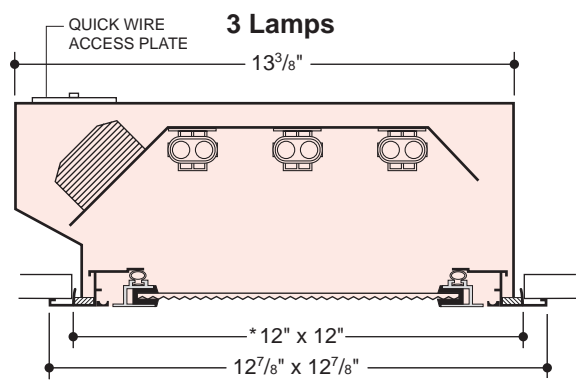
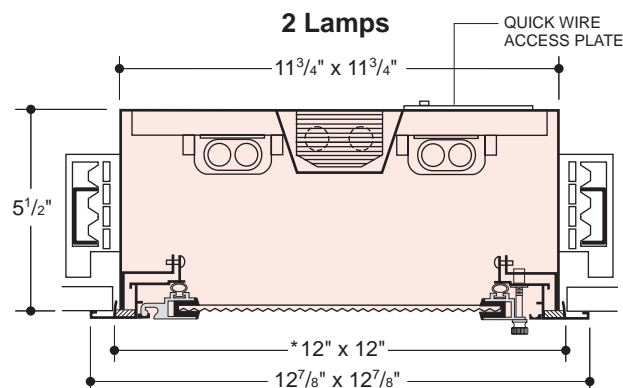
QUICK MOUNT BRACKETS: Die-formed of 16 ga. steel suitable for use with standard 3/4" and 1 1/2" Lathing channels (by others) or optional Mounting Bars (see OPTIONS). Adjustable from within housing.

MOUNTING: For mounting in Exposed Grid, Concealed Spline, Gypsum Board and Plaster ceilings, designed to integrate into most standard ceilings. HOUSING MUST BE INSTALLED BEFORE COMPLETION OF FINISHED CEILING.

FINISH: All steel components parts are completely protected against rust and discoloration after fabrication through an automated conveyerized multi-stage phosphate bonding process. Finished with an electrostatic baked white polyester thermosetting powder coating. This electronic computer controlled integrated system assures consistent high reflectance efficiency and maximum durability.

CERTIFICATION: The COMPACT CUBE® SECURLUME® /"CCV" compact downlight is U.L. and C.U.L. listed and bears the label of the I.B.E.W./A.F.L.-CIO, Local #3. Optionally listed for Damp Locations "DL" and Wet Locations "WL".

COMPACT CUBE®, SECURLUME® and LEGION® are registered trademarks of LEGION LIGHTING CO., INC.



* Ceiling opening

OPTIMUM LIGHTING
FOR ABUSIVE AND
CLEAN ROOM AREAS

ORDERING DATA

| Catalog No. | No. and Type Lamps | Socket Base | Wt. | Available Diffusers |
|-------------|--------------------|-------------|-----|---------------------------|
| 5714-216OCT | 2-FBO16-U-OCT | Med. Bi-Pin | 13 | Type (K19A) |
| 5714-2BX13 | 2-13W/T4/Twin | GX23 | 12 | Type (RFA) |
| 5714-3BX13 | 3-13W/T4/Twin | GX23 | 13 | Type (FA) |
| 5714-2BX18 | 2-18W/10T5/Twin | 2G11 | 13 | • Type (C70T) |
| 5714-2BX27 | 2-27W/12T5/Twin | 2G11 | 13 | • Type (GRA) |
| 5714-2F18QC | 2-18W/6T4/Quad | G24q-2 | 13 | • Type (RFL) |
| 5714-2F26QC | 2-26W/7T4/Quad | G24q-3 | 13 | • Type (ACR) |
| 5714-12D28 | 1-28W/8/2D | GR10q-4 | 13 | Add suffix to catalog no. |
| 5714-12D38 | 1-38W/8/2D | GR10q-4 | 13 | See Shielding Media |

OCTRON™ is a registered trademark of SYLVANIA.
 BIAX™ is a registered trademark of G.E. Lighting.

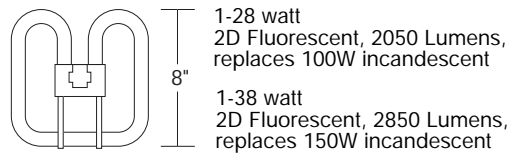
SHIELDING MEDIA

- Type **(K19A)** Acrylic plastic refractor .160" thick
 - Type **(RFA)** Acrylic plastic refractor
 - Type **(FA)** Flat white acrylic
 - Type **(C70T)** Corning No. 70 tempered glass
 - Type **(GRA)** Glass-fiber reinforced white acrylic
 - Type **(RFL)** Polycarbonate Lexan refractor
 - Type **(ACR)** **KSH K12** Acri-Tuf prismatic refractor
 - Recommended Lenses for security areas
- CONSULT FACTORY FOR OTHER SHIELDING

OPTIONS

- † Suffix "EM" after cat. no. for emerg. battery pack.
 Suffix "DL" after catalog no. for damp location, 50°F Ballast.
 Suffix "WL" after catalog no. for wet location, 50°F Ballast.
 - †† Suffix "LT" after catalog no. for low temperature ballast, -25°F Ballast.
 Suffix "ESB/EBX" Electronic BIAX Ballast. Consult factory for availability.
 Suffix "TP" after catalog no. for tamper proof screws (for security areas).
- MOUNTING BARS: Set of two 18", suffix "MB18" to cat. no.
 Set of two 27", suffix "MB27" to cat. no.
- † Battery pack mounted on top of fixture, add 2" to depth, or mounted remote in separate box.
 - †† 1-F282D and F382D G.E. 2D 4-pin compact.

The 2D lamps' unique shape and size give a new dimension in design flexibility.



LONG LIFE

All compact fluorescent lamps last 10 to 13 times longer than the incandescent lamps they replace. Longer life means lower maintenance and lamp replacements.

Information supplied primarily for illustrative purposes, subject to change.
 Consult factory for verification and minimum quantity orders. Photometrics and/or performance summaries for your particular layout available, consult factory.