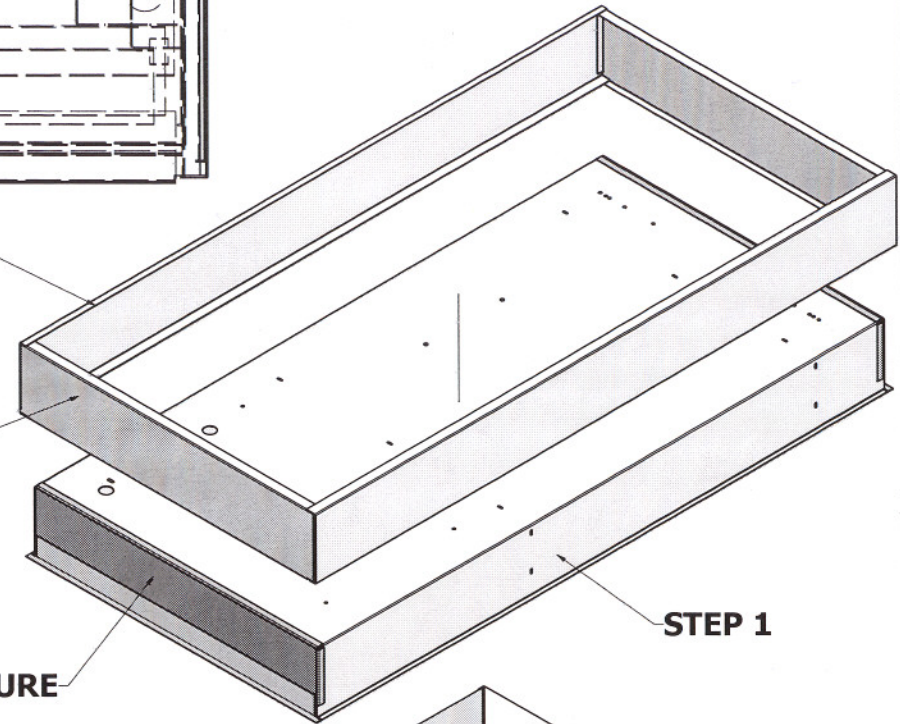


FRONT VIEW



SHELL

STEP 2

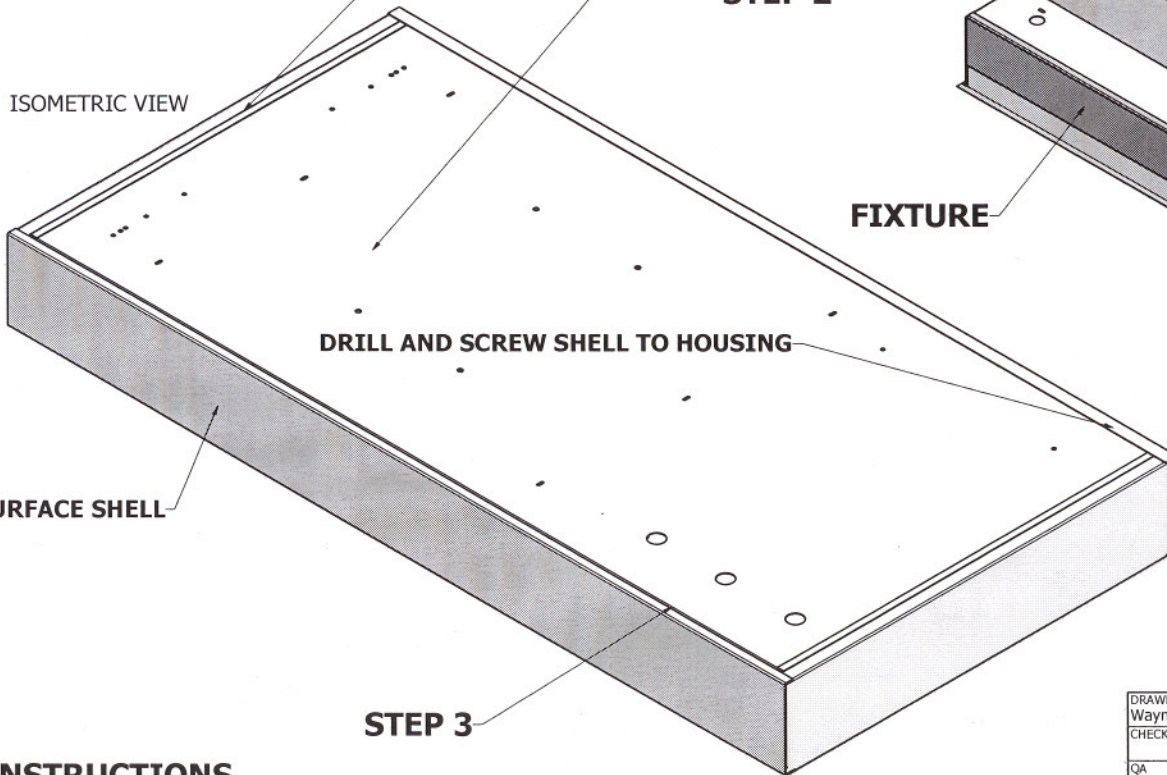
STEP 1

FIXTURE

DRILL AND SCREW SHELL TO HOUSING

FIXTURE HOUSING

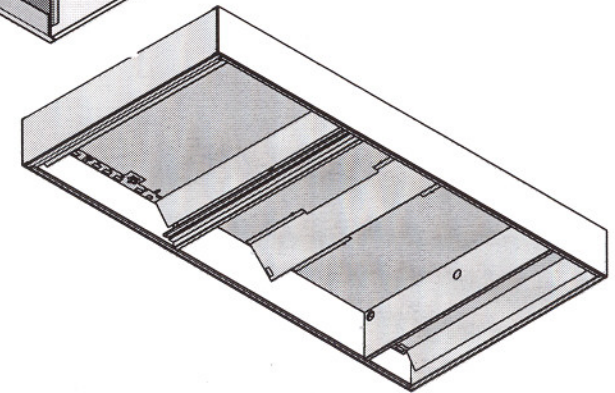
ISOMETRIC VIEW



DRILL AND SCREW SHELL TO HOUSING

SURFACE SHELL

STEP 3



ISOMETRIC BOTTOM RIGHT

INSTRUCTIONS

1. PLACE RECESSED FIXTURE FACE DOWN ON FLAT SURFACE.
2. SLIDE SHELL OVER BACK OF FIXTURE.
3. DRILL AND FASTEN AS NOTED.

DRAWN Wayne		10/31/2008		LEGION LIGHTING	
CHECKED				TITLE	
QA				J562/862-SURFACE SHELL	
MFG				DWG NO	
APPROVED				J562/862_SURFACE	
		SIZE		REV	
		C			
		SCALE		SHEET 1 OF 1	