

## APPLICATIONS

*The MOD-U-LUME™ Series 56 Regressed Mini-Troffer provides an efficient energy saving linear source. With its clean extruded mitered trim and narrow silhouette its suitable for any application, A sure choice of Designers and Architects. For wall wash, perimeter lighting, modular patterns and linear rows.*



## SPECIFICATIONS

**HOUSING:** Die formed of 20 gauge cold rolled steel, rigidly fabricated, and electrically welded to insure true and perfect alignment.

**SOCKET PLATE:** Die formed of code gauge cold rolled steel, securely mounted, accessible for maintenance.

**REFLECTOR:** Die formed of code gauge steel to optically correct contour to provide precise light distribution, removable to access wiring. XTA-XTRALUME® energy efficient reflector available (see Options).

**TRIM:** Extruded aluminum .065 wall thickness, regressed at a 45° splay from the horizontal. The trim is continuously interlocked and mechanically fastened to the housing, with perfectly mitered corners giving the appearance of a one piece regressed frame. Finished in anodized natural or post powder coated white (other painted finishes available, consult factory).

**SHIELDING:** Various types (see shielding media), lift and shift to remove and relamp.

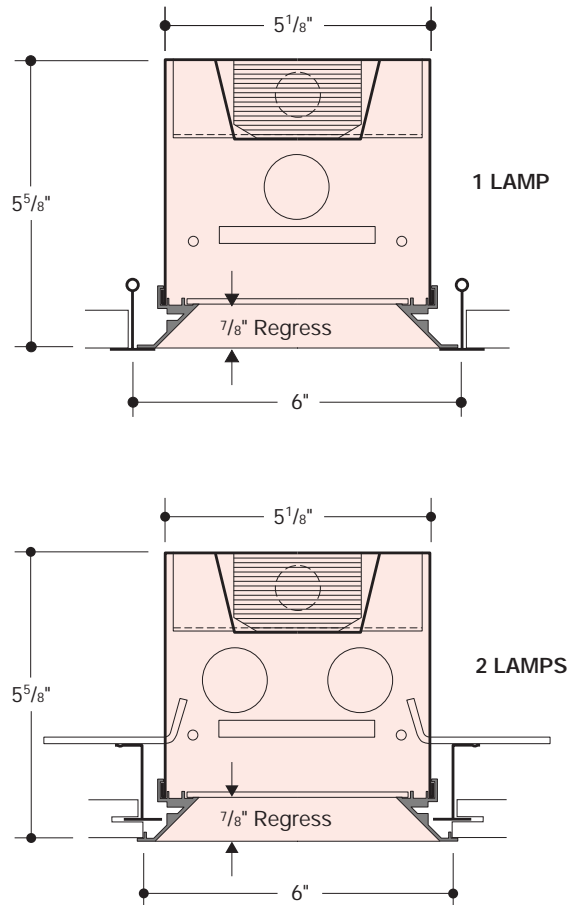
**ELECTRICAL:** Thermally protected Class "P" Energy Saving Rapid/Instant Start HPF 265MA-T8 electronic ballasts standard for 118V 60 Hz operation. Other electronic ballasts, other voltages and frequencies available, consult factory. (see OPTIONS).

**MOUNTING:** Designed to integrate into most standard ceilings. LEVEL-JACKS are supplied on concealed mechanical units only. For grid type ceilings, unit rests on the flanges of the exposed spline or tee. Fine Line clips are supplied on units used in Donn-Fine Line type ceilings. See ceilings and specify type. Knockouts provided on back and ends for feed and thru-wiring.

**FINISH:** All steel component parts are completely protected against rust and discoloration after fabrication through an automated conveyorized multi-stage phosphate bonding process. Finished with an electrostatic baked white polyester thermosetting powder coating. This electronic computer controlled integrated system assures consistent 88%+ reflectance efficiency and maximum durability.

**CERTIFICATION:** The MOD-U-LUME™ Series 56 is U.L. and C.U.L. listed and bears the label of the I.B.E.W./AFL-CIO, Local #3. Optionally U.L. and C.U.L. listed for damp locations "DL".

MOD-U-LUME™ is a trademark, XTRALUME® and LEGION® are registered trademarks of LEGION LIGHTING CO., INC.



8/06

Section B - Page 90a.1

ORDERING DATA

Nominal Size	Wt.	No. and Type Lamp	Specify Ceiling	Catalog No.
6" x 24"	14	1-FO17-OCT-T8	*F, J, or S	56-117 EBO
	16	2-FO17-OCT-T8		56-217 EBO
6" x 36"	14	1-FO25-OCT-T8	*F, J, or S	56-125 EBO
	16	2-FO25-OCT-T8		56-225 EBO
6" x 48"	14	1-FO32-OCT-T8	*F, J, or S	56-132 EBO
	16	2-FO32-OCT-T8		56-232 EBO

UNITS FOR T5 LAMPS – CONSULT FACTORY.

TRIM finished natural anodized standard, Suffix "W" to catalog no. for white postpowder coat (other painted finishes available, consult factory).

\* Advise run lengths when used in continuous runs.

OCTRON is a trademark of SYLVANIA

OPTIONS

Suffix "DIM" after catalog no. for dimming ballast.  
 Suffix "LT" after catalog no. for cold weather ballast.  
 Suffix "DL" after catalog no. for damp location.  
 Suffix "EM" after catalog no. for emergency battery packs and see price list for types.  
 Suffix "XTA" after catalog no. for XTRALUME® reflector standard with 85% reflectance, for 95% reflectance specify your requirements.

ELECTRONIC

"EBO"-Electronic T8 Octron Ballast  
 "EBDO"-Electronic T8 Dimming Ballast

SHIELDING MEDIA

Type (AL) 1/2" cube aluminum louver-white.  
 Type (PL) 1/2" cube styrene louver-white.  
 Type (PLA) 1/2" cube acrylic louver-white.  
 Type (PAF) 3/8" cube Paraflex specular silver louver-styrene.  
 Type (PAFA) 3/8" cube Paraflex specular silver louver-acrylic.  
 Type (PW) 1/2" cube Parawedge specular silver louver-styrene.  
 Type (PWA) 1/2" cube Parawedge spec. silver louver-acrylic.

Type (PAFIVA) 3/4" x 3/4" x 1/2" deep Paraflex specular silver louver-acrylic.  
 Type (RFA) acrylic plastic refractor.  
 Type (RFL) polycarbonate Lexan® prismatic refractor.  
 Type (ACR) KSH-K12 acri-tuf prismatic refractor.  
 Type (K19A) KSH K19 acrylic lens.  
 Type (FA) flat white acrylic.  
 Type (GRA) glass fiber reinforced acrylic.

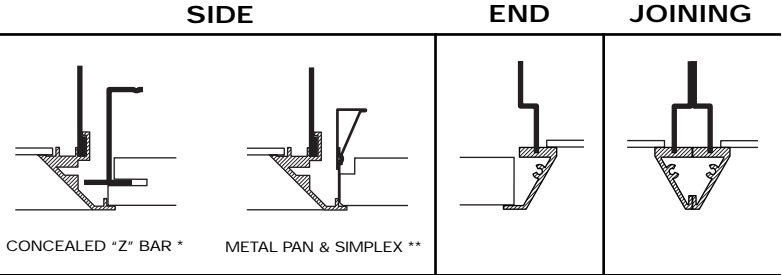
DETAIL VIEWS

CEILINGINGS

**"F"** Flanged type troffers are designed for use when a neat minimal trim is desired and where a 1/4" lip is advisable to cover irregularities in the ceiling opening. When used in a plaster ceiling a plaster frame is required. These troffers are equipped with "LEVEL-JAKS" which rest on top of the ceiling supporting spline or plaster frame.

MINIMAL FLANGE

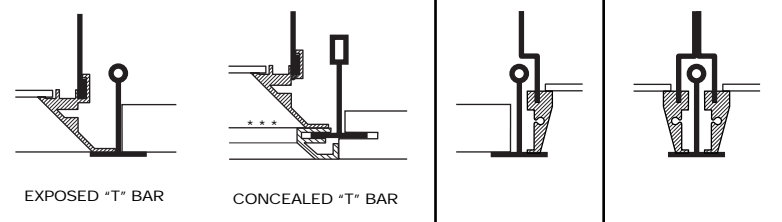
\* "Z" BARS MUST FACE OUTWARD FROM TROFFER.  
 \*\* HALF SNAP BAR MUST BE USED AT TROFFER.



**"J"** Troffer is laid-in on the inverted "T" grid members. "LEVEL-JAKS" are not required for this installation. The corners of the fixture opening should be well supported to withstand the weight of the troffer.

EXPOSED "T" LAY-IN

\*\*\* VINYL TRIM BY OTHERS



**"S"** Flush trim type troffers are designed to be used where tile has been installed with care to provide a clean appearance. The trim fits flush and does not protrude below the ceiling line. "LEVEL-JAKS" are supplied which rest securely on top of the ceiling supporting spline. Openings should be reinforced to withstand the weight of the troffer. When used in a plaster ceiling, a plaster frame is required.

SLIP-IN FLUSH TRIM

\* "Z" BARS MUST FACE OUTWARD FROM TROFFER.  
 \*\* HALF SNAP BAR MUST BE USED AT TROFFER.

