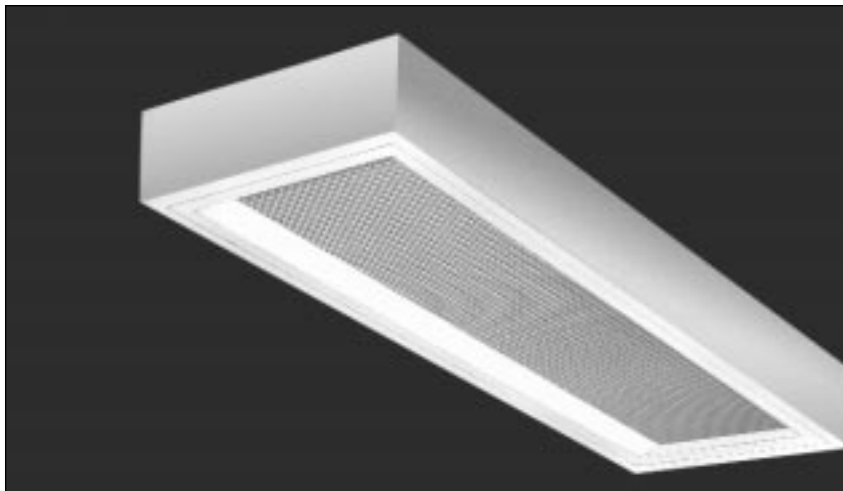


APPLICATIONS

The EXCELON® "RD" series of surface units with regressed aluminum door are designed and precision engineered to meet the highest quality standard for todays discriminating specifier. Offering the widest choice of lamp/diffuser configurations. Exclusive LIGHT-LOCK™ design and positive hinging and high efficiency makes this the ideal troffer for any and all general lighting requirements. For offices, stores, schools, hospitals and public buildings.



SPECIFICATIONS

CONSTRUCTION: Die formed of 20 gauge cold rolled steel, rigidly fabricated, and electrically welded to insure true and perfect alignment.

SOCKET PLATE: Die formed of heavy gauge cold rolled steel, securely mounted and readily removable for socket maintenance.

REFLECTOR: Die formed of heavy gauge cold rolled steel, securely mounted to housing. Formed to optically correct contour to provide maximum efficiency, removable to access wiring. XTA-XTRALUME® energy efficient reflector available (see Options).

DOOR: Heavy gauge extruded aluminum with mitered corners, 5/8" regress, with exclusive "LIGHT-LOCK™" design for light tight fit to housing. Door hinges from either side on concealed T-slot hinges and is secured in the closed position by positive locking lever latches allowing access to the interior without the use of tools.

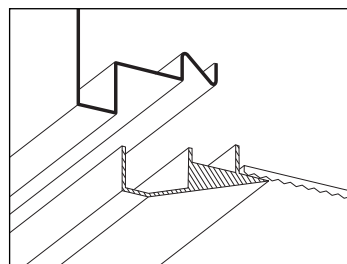
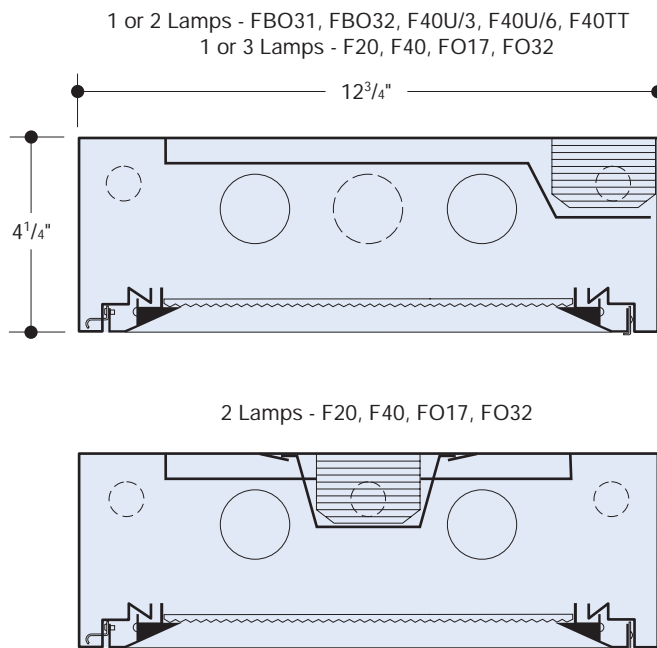
ELECTRICAL: Thermally protected Class "P" Energy Saving Rapid HPF 265MA-T8, 430MA T12, 270MA-Biax (Twin Tube), Trigger Start LPF magnetic ballast for 118V 60 Hz operation standard. Optional electronic ballasts, other voltages and frequencies available, (consult factory).

MOUNTING: Installed flush with ceiling, surface mounted, singly or in continuous rows. For continuous mounting - knockouts are removed in end and units joined together. Adequate knockouts for stem or flush surface mounting are provided. **CONSULT FACTORY FOR STEM MOUNTING.**

FINISH: All steel and aluminum component parts are completely protected against rust and discoloration after fabrication through an automated conveyerized multi-stage phosphate bonding process. Finished with an electrostatic baked white polyester thermosetting powder coating. This electronic computer controlled integrated system assures consistent high reflectance efficiency and maximum durability.

CERTIFICATION: The EXCELON® "RD" Series 451 is U.L. and C.U.L. listed and bears the label of the I.B.E.W./AFL-CIO, Local #3. Optionally listed for damp locations "DL".

EXCELON®, XTRALUME® and LEGION® are registered trademarks of LEGION LIGHTING CO., INC. LIGHT-LOCK™ is a trademark of LEGION LIGHTING CO., INC.



Exclusive LIGHT-LOCK™ design for light tight fit of door to housing. Diffuser inserted without the use of tools.

06/02

ORDERING DATA

Catalog No.	No. and Type Lamps	Nominal Dimensions	Weight
451-220	2-20W-TS-T12	12" x 24"	17
451-217 EBO	2-FO17-OCT-T8		
451-320	3-20W-TS-T12		19
451-317 EBO	3-FO17-OCT-T8		
451-1U40	▲● 1-U40W-RS-T12	12" x 24"	17
451-1U32 EBO	● 1-FB032-OCT-T8		
451-1BX40	★★ 1-F40TT/RS		
451-2BX40	★★ 2-F40TT/RS		
451-2U31 EBO	■ 2-FB031-OCT-T8		
451-140	1-40W-RS-T12		
451-132 EBO	1-FO32-OCT-T8		
451-240	2-40W-RS-T12		
451-232 EBO	2-FO32-OCT-T8		
451-340	3-40W-RS-T12		
451-332 EBO	3-FO32-OCT-T8		

- Lamp spacing made for 6" center U-lamps for T12 and T8.
- Lamp spacing made for 1 5/8" center Octic T8 U-lamps.
- ▲ Lamp spacing made for 3 5/8" center U-lamps T12, consult factory for availability.

★★ F40TT/RS is the ANSI designation of various lamp manufacturers, i.e.: G.E. Lighting "Biax", Philips "PL", Osram "DULUX-L", Sylvania Twin Tube. For F50TT/RS change cat. no. Ex.: 451-1BX50.

CONSULT FACTORY FOR 8 FOOT UNITS.

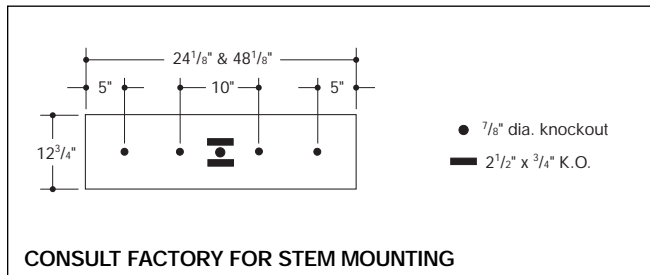
OCTRON™ is a registered trademark of SYLVANIA.
 BIAX™ is a trademark of General Electric Co.
 LEXAN® is a registered trademark of General Electric Co.
 Controlens® and Refractive Grid® are registered trademarks of Holophane Co.

REGRESS DOOR



5/8" Regress

BACK PLANS



CONSULT FACTORY FOR STEM MOUNTING

OPTIONS

- Suffix "DIM" after catalog no. for dimming ballast.
- Suffix "LT" after catalog no. for cold weather ballast.
- Suffix "EM" after cat. no. for emergency battery pack, see price list for types.
- Suffix "DL" after catalog no. for damp location.
- Suffix "GASK" after catalog no. for gasketed door and lens.
- Suffix "TP" after catalog no. for tamperproof screws on door.
- Suffix "XTA" after catalog no. for XTRALUME® reflector standard with 85% reflectance, for 95% reflectance please specify your requirements.

FOR OPTIONAL DOOR FINISHES CONSULT FACTORY

ENERGY SAVING BALLASTS Where applicable (consult factory).

Suffix "ESB" after catalog number, then / and one of the following:

MAGNETIC

- "SLH"-Super Low Heat T12 Ballast
- "MM-I"-Maxi Miser I T12 Ballast
- "PRE"-Premium III T12 Ballast
- "OCT"-Octron T8 Ballast
- "OPT"-Optimizer Ballast
- "DIM"-Magnetic T12 Dimming Ballast

ELECTRONIC

- "EB"-Electronic T12 Ballast
- "EBO"-Electronic T8 Octron Ballast
- "EBX"-Electronic (BIAX) Twin Tube Ballast
- "EBD"-Electronic T12 Dimming Ballast
- "EBDO"-Elect. T8 Octron Dimming Ballast
- "EBDX"-Elect. (BIAX) Twin Tube Dimming Ballast

SHIELDING MEDIA

- Type (AL) 1/2" cube aluminum louver-white.
- Type (PL) 1/2" cube styrene louver-white.
- Type (PLA) 1/2" cube acrylic louver-white.
- Type (PAF) 5/8" cube Paraflex specular silver louver-styrene.
- Type (PAFA) 5/8" cube Paraflex specular silver louver-acrylic.
- Type (PW) 1/2" cube Parawedge specular silver louver-styrene.
- Type (PWA) 1/2" cube Parawedge spec. silver louver-acrylic.
- Type (PAFIVA) 3/4" x 3/4" x 1/2" deep Paraflex specular silver louver-acrylic.
- Type (PL3A) 3/4" x 3/4" x 1/2" deep high efficiency spec. silver louver-acrylic.
- Type (PL5A) 3/4" x 3/4" x 1/2" deep high efficiency spec. silver louver-acrylic.
- Type (RFA) acrylic plastic refractor.
- Type (RFL) polycarbonate Lexan® prismatic refractor.
- Type (K19A) KSH K19 acrylic lens.
- Type (FA) flat white acrylic.
- Type (GRA) glass fiber reinforced acrylic.
- Type (AIM) American injection molded acrylic.
- Type (K15A) 3/16" thick acrylic plastic refractor.
- Type (K20A) KSH K20 acrylic lens.
- Type (K11A) louvered prismatic acrylic panel.
- Type (RFI) Radio Frequency acrylic prismatic lens.
- Type (K3E) KSH K3E acrylic lens.
- Type (H06244) Holophane 6244 Controlens®.
- Type (H06251) Holophane 6251 Controlens®.
- Type (H08224) Holophane 8224 Refractive Grid®.
- Type (PH) Parahex specular silver louver.

● CONSULT FACTORY FOR MINIMUM QUANTITY ORDER AND AVAILABILITY. Select the diffuser required and add suffix to catalog number. EXAMPLE: 451-240-RFA.

.....
 For Photometric Data Consult Factory

Information supplied primarily for illustrative purposes, subject to change.
 Consult factory for verification and minimum quantity orders.

