

## APPLICATIONS

The essential function of a lighting unit is to provide effective illumination. We believe that proper lighting creates a harmonious blending of this functional and decorative atmosphere. Versatility provides the solution to any performance or budget requirements for offices, stores, schools, residences and public buildings.



## SPECIFICATIONS

**CONSTRUCTION:** Die formed of code gauge steel, rigidly fabricated, to insure true and perfect alignment.

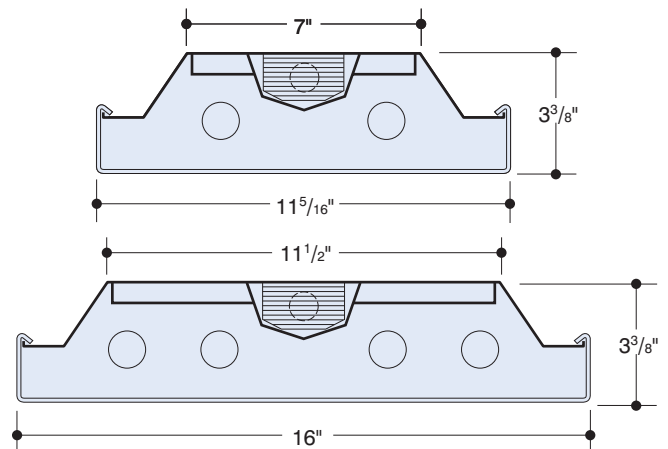
**MOUNTING:** Installed flush with ceiling surface or stem mounted, singly or in continuous rows. For continuous mounting, end knockouts may be removed and units joined together. Adequate knockouts and holes are provided for mounting and feeds.

**ELECTRICAL:** 1 and 2 lamp T5 electronic program start 450MA for 14W, 28W and 460MA to 300MA for 24W and 54W T5HO, or 1, 2, 3 and 4 lamp Octic T8 265MA electronic instant start ballasts. High power factor, Class A sound rated <10% THD (less than 10% Total Harmonic Distortion). U.L., CSA, FCC listed Type 1 for multi-voltage 120/277 50/60Hz operation. Other voltages and frequencies available, CONSULT FACTORY.

**SHIELDING:** One piece heavy gauge precision extruded acrylic prismatic refractor with linear prisms on sides and an optically engineered debossed hexagonal prisms on bottom. Hinges from either side for ease of installation and maintenance, by lifting up, sliding towards you and swinging down.

**FINISH:** All steel component parts are completely protected against rust and discoloration by an Anchored Process and coated with 365° sprayed baked white synthetic enamel for maximum durability and shall provide high reflectance efficiency.

**CERTIFICATION:** The Contempo® II is U.L. and C.U.L. listed and bears the label of the I.B.E.W./AFL-CIO, Local #3.



Information supplied primarily for illustrative purposes, subject to change. Consult factory for verification and minimum quantity orders.

LEGION® and CONTEMPO® are registered trademarks of LEGION LIGHTING CO, INC.



**ORDERING DATA**

Catalog No.	No. and Type Lamps	Nom. Dia.	Wt.
4340-214-ACP	2-F14-T5	11" x 24"	10
4340-224HO-ACP	2-F24HO-T5		
4340-217-ACP EBO	2-FO17-OCT-T8		
4340-414-ACP	4-F14-T5	16" x 24"	15
4340-424HO-ACP	4-F24HO-T5		
4340-417-ACP EBO	4-FO17-OCT-T8		
● 4340-2BX40-ACP	** 2-F40TT/RS		
4340-228-ACP	2-F28-T5	11" x 48"	17
4340-254HO-ACP	2-F54HO-T5		
4340-232-ACP EBO	2-FO32-OCT-T8		
4340-428-ACP	4-F28-T5	16" x 48"	25
4340-454HO-ACP	4-F54HO-T5		
4340-432-ACP EBO	4-FO32-OCT-T8		
4340-228-8T-ACP	4-F28-T5	11" x 96"	34
4340-254HO-8T-ACP	4-F54HO-T5		
4340-232-8T-ACP EBO	4-FO32-OCT-T8		
4340-428-8T-ACP	8-F28-T5	16" x 96"	50
4340-454HO-8T-ACP	8-F24HO-T5		
4340-432-8T-ACP EBO	8-FO32-OCT-T8		
4340-296SL-ACP EBO	2-FO96-OCT-T8	11" x 96"	34
4340-496SL-ACP EBO	4-FO96-OCT-T8	16" x 96"	50

- Consult factory for availability and minimum quantity order.
- \*\* F40TT/RS is the ANSI designation of various lamp manufacturers, i.e.: G.E. Lighting "Biax", Philips "PL", Osram "DULUX-L", Sylvania Twin Tube. For F50TT/RS change cat. no. Ex.: **4340-2BX50**.
- NOTE: T12 AND OTHER LAMPS AVAILABLE, CONSULT FACTORY.**
- OCTRON™ is a registered trademark of SYLVANIA.
- BIAX™ is a trademark of General Electric Co.

**OPTIONS**

Suffix "DIM" after catalog no. for dimming ballast.  
 Suffix "LT" after catalog no. for cold weather ballast.  
 Suffix "EM" after cat. no. for emerg. battery pack, see price list for types.  
 Suffix "DL" after catalog no. for damp location.

**DIMMING BALLASTS**

Suffix "EBDO" after catalog no. for T8 dimming ballast.  
 Suffix "EBDP" after catalog no. for T5 dimming ballast.  
 Suffix "EBDX" after catalog no. for BIAX Twin-Tube dimming ballast.  
 Suffix "EBDOA" after catalog no. for electronic dimming ballast  
 ADVANCE MARK X.  
 Suffix "H3D" after catalog no. for LUTRON HI-LUME 3D dimming ballast.  
 Suffix "ECO-5" after catalog no. for LUTRON ECOSYSTEM.  
 Suffix "EH" after catalog no. for ECOSYSTEM H Series.

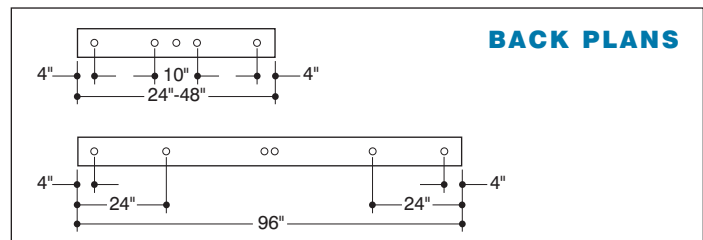
**ELECTRONIC BALLASTS**

"EBO"- Electronic T8 Octron ballast.  
 "EBX"- Electronic (BIAX) Twin-Tube ballast.  
 Electronic T5/T5HO ballast

OTHER DIMMING AND PROGRAM START BALLASTS ARE AVAILABLE, CONSULT FACTORY.

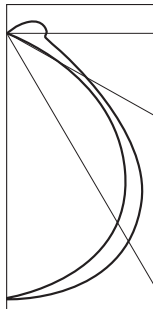
**Legion is a Lutron® Silver Partner**

Lutron® is a registered trademark of Lutron Electronics



**PHOTOMETRICS**

**Cat. No. 4340**  
 (2) F32/T8/CW/RS  
 2950 Lumens each



Floor	20%											
Ceiling	80%			50%			30%			10%		
Walls	50%	30%	10%	50%	30%	10%	50%	30%	10%	50%	30%	10%
ZONAL CAVITY METHOD												
1	.70	.67	.64	.63	.61	.59	.59	.57	.55	.54	.53	.52
2	.62	.58	.54	.56	.54	.50	.52	.50	.47	.49	.47	.45
3	.55	.50	.46	.50	.46	.43	.47	.44	.41	.44	.41	.39
4	.49	.44	.39	.45	.41	.37	.42	.38	.35	.39	.36	.33
5	.44	.38	.34	.40	.35	.32	.37	.34	.31	.35	.32	.29
6	.39	.34	.29	.37	.31	.27	.34	.30	.27	.32	.28	.25
7	.35	.30	.25	.32	.28	.24	.30	.26	.23	.28	.25	.22
8	.31	.29	.22	.29	.24	.21	.27	.23	.20	.26	.22	.20
9	.28	.23	.19	.26	.22	.18	.24	.20	.17	.23	.20	.17
10	.26	.21	.16	.23	.19	.16	.22	.18	.14	.21	.18	.15

**Cat. No. 4340**  
 (4) F32/T8/CW/RS  
 2950 Lumens each



Floor	20%											
Ceiling	80%			50%			30%			10%		
Walls	50%	30%	10%	50%	30%	10%	50%	30%	10%	50%	30%	10%
ZONAL CAVITY METHOD												
1	.65	.62	.60	.59	.57	.56	.56	.54	.53	.53	.52	.51
2	.58	.54	.50	.53	.50	.47	.50	.48	.45	.47	.45	.44
3	.51	.47	.43	.47	.44	.40	.45	.42	.39	.43	.40	.38
4	.46	.41	.37	.42	.38	.35	.40	.37	.34	.38	.35	.33
5	.41	.35	.31	.38	.33	.30	.36	.32	.29	.34	.31	.28
6	.37	.31	.28	.34	.30	.26	.33	.29	.25	.31	.28	.25
7	.33	.28	.24	.31	.26	.23	.29	.25	.22	.28	.24	.22
8	.30	.24	.21	.28	.23	.20	.26	.23	.20	.25	.22	.19
9	.27	.21	.18	.25	.20	.17	.24	.20	.17	.23	.19	.16
10	.24	.19	.16	.23	.18	.15	.22	.18	.15	.21	.18	.14