

## APPLICATIONS

Like all other LEGION LIGHTING products, the Series 4307 is characterized by the following quality features; Engineered control for highest light output, greatest visual comfort, enduring performance, integrity and reliability. Quality components, assuring long trouble free life. Broad range of lengths and lamping configurations, provide the right light for the job. For offices, stores, schools, hospitals and public buildings.



## SPECIFICATIONS

**CONSTRUCTION:** Die formed of 20 gauge cold rolled prime steel, rigidly fabricated, to insure true and perfect alignment.

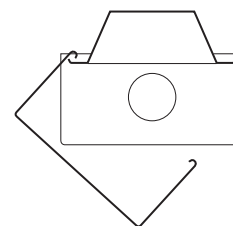
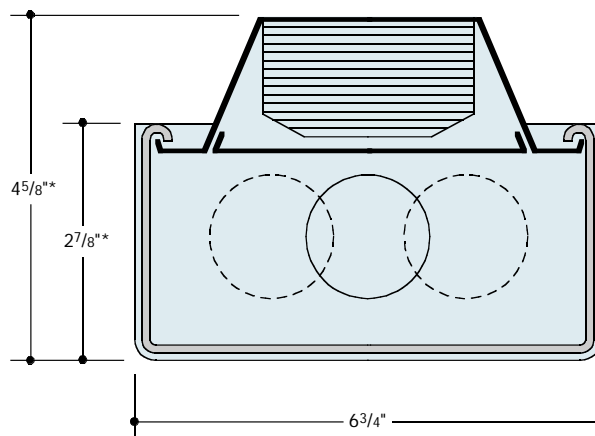
**SHIELDING:** One piece heavy gauge precision extruded acrylic prismatic refractor with linear prisms on sides and an optically engineered debossed hexagonal prism on bottom plane, hinges from either side for relamping without the use of tools.

**MOUNTING:** Installed flush with ceiling surface or stem mounted, singly or in continuous rows. For continuous mounting, units can be joined together. Adequate knockouts for feed and stem or surface mounting are supplied. Cannot be mounted vertically or horizontally on wall.

**ELECTRICAL:** Thermally protected Class "P" Energy Saving Instant Start HPF 265MA-T8 electronic ballasts standard for 118V 60 Hz operation. Other ballasts, voltages and frequencies available, consult factory.

**FINISH:** All steel component parts are completely protected against rust and discoloration by an Anchored Process and coated with 365° sprayed baked white synthetic enamel inside and out for maximum durability, providing 89% reflectance efficiency.

**CERTIFICATION:** The CORRITEMPO® Series 4307 luminaire is U.L. and C.U.L. listed and bears the label of the I.B.E.W./AFL-CIO, Local #3.



Lens hinges from either side for relamping without tools.

CORRITEMPO® and LEGION® are registered trademarks of LEGION LIGHTING CO., INC.

ORDERING DATA

Catalog No.	No. and Type Lamps	Wt.	Nominal Dimensions
4307-117 ACP EBO	1-FO17-OCT-T8	7	24"
●■ 4307-1BX40-ACP	■ 1-*F40TT/RS		
4307-217 ACP EBO	2-FO17-OCT-T8	12	48"
4307-132 ACP EBO	1-FO32-OCT-T8		
●■ 4307-2BX40-ACP	■⊕ 2-*F40TT/RS		
4307-232 ACP EBO	2-FO32-OCT-T8		
4307-132-8T ACP EBO	2-FO32-OCT-T8	21	96"
4307-232-8T ACP EBO	4-FO32-OCT-T8		

- Consult factory for availability and minimum quantity order.
- For \*F50TT/RS lamp, change cat. no. Example: **4307-1BX50-ACP**
- \* F50TT/RR and F40TT/RS is the ANSI designation of various lamp manufacturers, i.e. G.E. Lighting "BIAX", Phillips "PL", Osram "Dulux L", Sylvania TWIN TUBE.

⊕ Tandem Lamps 

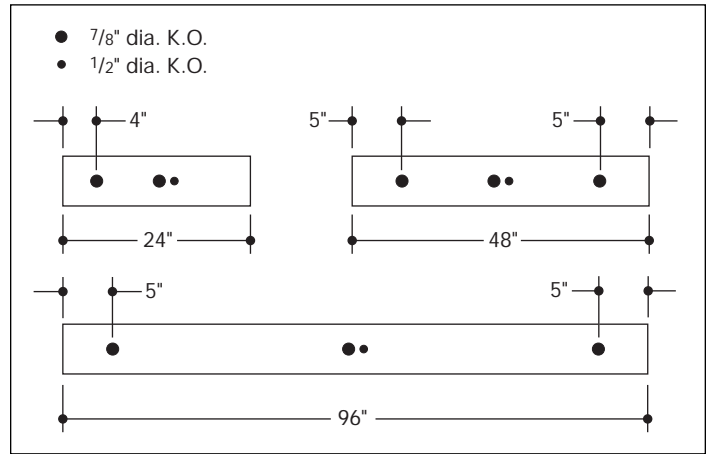
OPTIONS

Suffix "DIM" after catalog no. for dimming ballast.  
 Suffix "LT" after catalog no. for cold weather ballast.  
 Suffix "EM" after catalog. no. for emergency battery pack, see price list for types.

**ENERGY SAVING BALLASTS** Where applicable (consult factory).  
 Suffix "ESB" after catalog number, then / and one of the following:

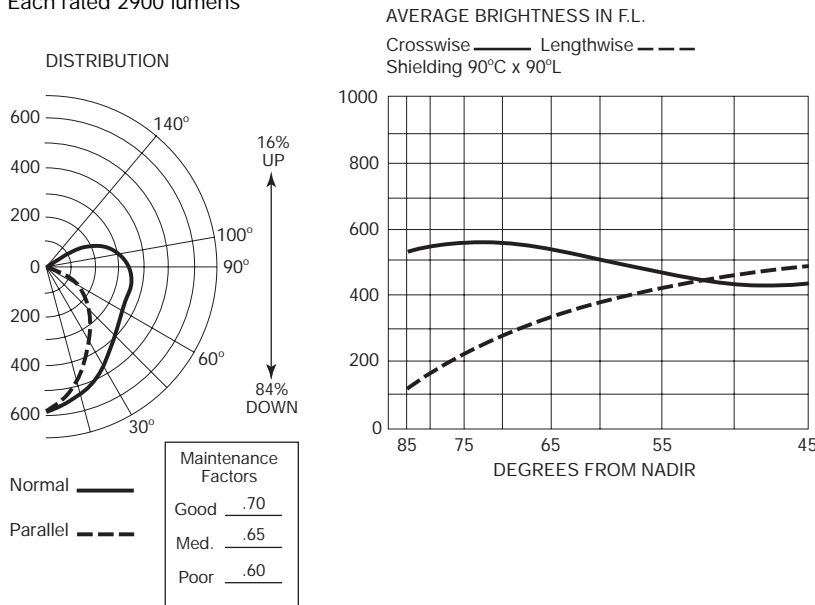
- |                         |                                      |
|-------------------------|--------------------------------------|
| <b>MAGNETIC</b>         | <b>ELECTRONIC</b>                    |
| "OCT"-Octron T8 Ballast | "EB"-Electronic T12 Ballast          |
|                         | "EBO"-Electronic T8 Octron Ballast   |
|                         | "EBDO"-Electronic T8 Dimming Ballast |

BACK PLANS



PHOTOMETRICS

Cat. No. **4307-232-ACP EBO**  
 Lamps: (2) FO32-OCT-T8  
 Each rated 2900 lumens



COEFFICIENTS OF UTILIZATION

R.I.	Floor	30%						10%					
		Ceiling		80%		50%		Ceiling		80%		50%	
	Walls	50%	30%	10%	50%	30%	10%	50%	30%	10%	50%	30%	10%
10	0.6	.25	.20	.16	.22	.17	.14	.25	.20	.16	.21	.17	.14
9	0.8	.33	.26	.22	.28	.23	.19	.32	.26	.22	.27	.22	.19
8	1.0	.39	.31	.27	.32	.27	.23	.37	.30	.26	.31	.26	.23
7	1.25	.45	.37	.32	.37	.32	.29	.42	.36	.31	.35	.31	.27
6	1.5	.49	.42	.36	.40	.35	.31	.46	.40	.35	.39	.34	.30
5	2.0	.56	.49	.43	.45	.40	.36	.51	.45	.41	.43	.39	.35
4	2.5	.60	.53	.48	.50	.46	.42	.54	.49	.45	.47	.44	.41
3	3.0	.64	.57	.52	.51	.47	.44	.57	.52	.48	.48	.45	.42
2	4.0	.68	.63	.58	.56	.52	.49	.60	.56	.53	.51	.48	.45
1	5.0	.72	.67	.63	.59	.55	.52	.63	.60	.57	.54	.51	.49

Information supplied primarily for illustrative purposes, subject to change.  
 Consult factory for verification and minimum quantity orders.