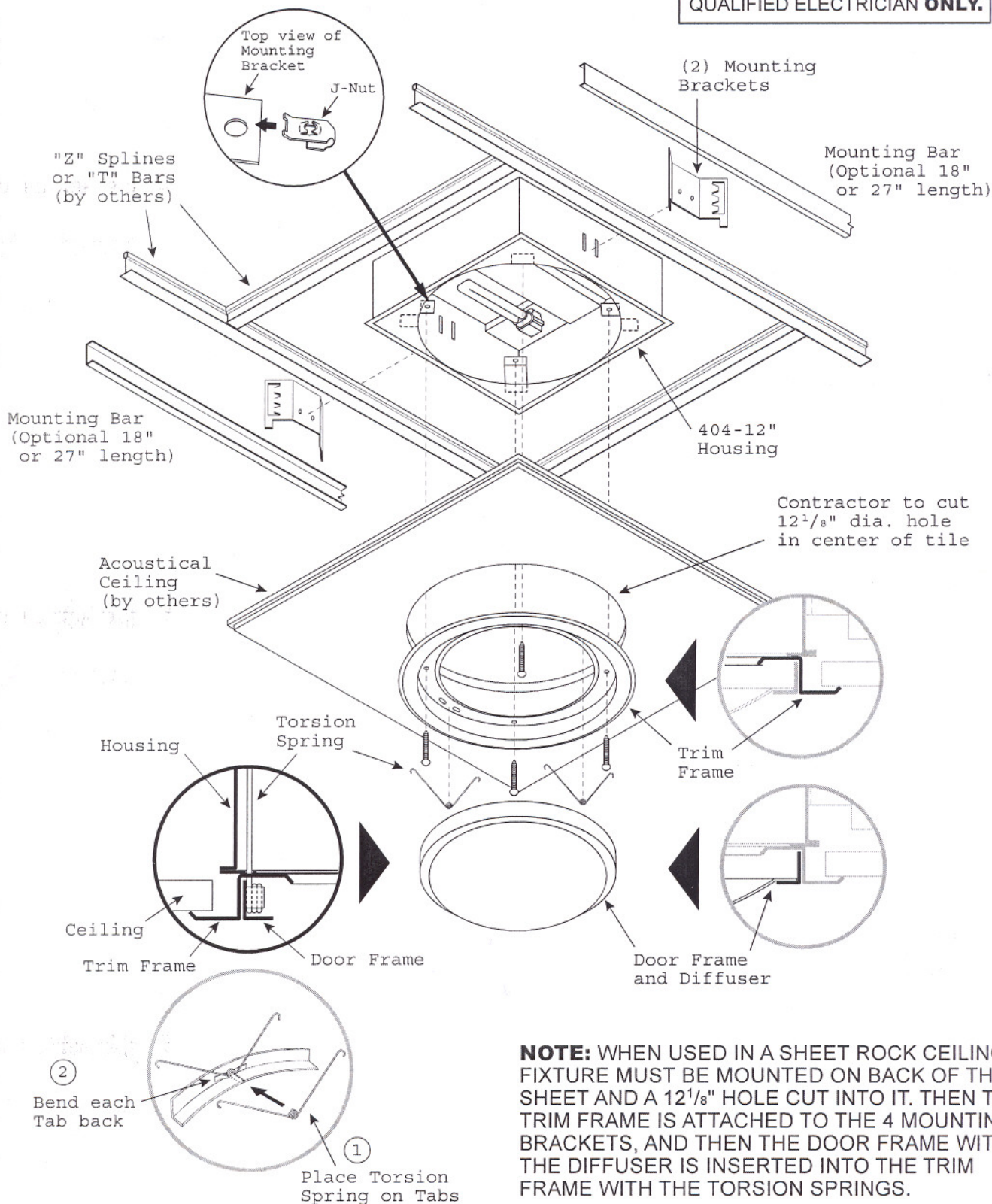


INSTRUCTION SHEET

for 404-12 Ceiling Installation

WARNING: RISK OF FIRE AND ELECTRIC SHOCK. THIS PRODUCT IS TO BE INSTALLED BY A QUALIFIED ELECTRICIAN ONLY.



LEGION[®]

LIGHTING CO., INC. 221 Glenmore Avenue, Brooklyn, NY 11207 • Tel: 718/498-1770 • Fax: 718/498-0128
E-mail: sales@legionlighting.com • Website: www.legionlighting.com • Toll Free Fax: 800/4-LEGION