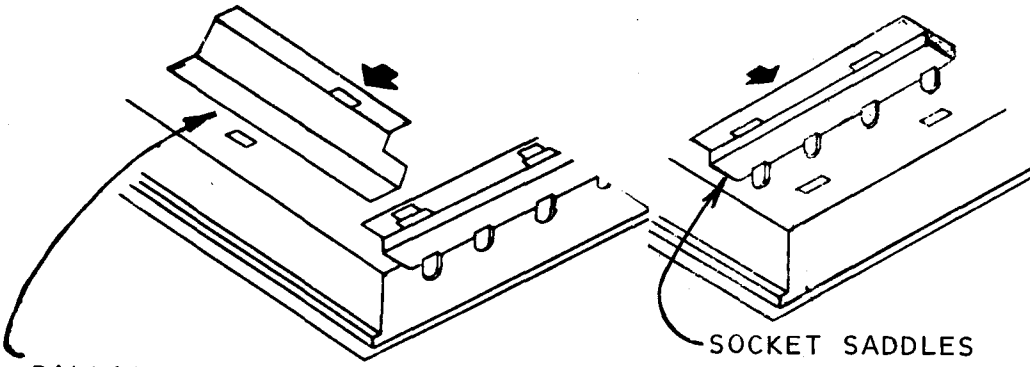


# INSTRUCTION SHEET



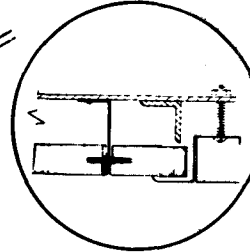
BALLAST ACCESS COVER SLIDE IN AND OUT OF UNIT WITHOUT USE OF TOOLS.

SOCKET SADDLES SLIDE IN AND OUT OF UNIT WITHOUT USE OF TOOLS.

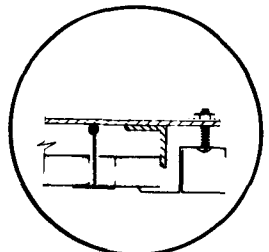
## SUGGESTIONS for INSTALLATION in PLASTER and ACOUSTICAL CEILINGS

Plaster Rings should be tied to Ceiling Lathe on Plaster Ceilings; to "Z" Spline or Purlin on Concealed Acoustical Ceilings; to "T" Bar or Purlin on Exposed Acoustical Ceilings.

Due to the extreme weight of the Circledomes all Ceiling Lathe, "Z" Splines, "T" Bars or Purlin that support the Plaster Ring should be tied to the Original Slab.

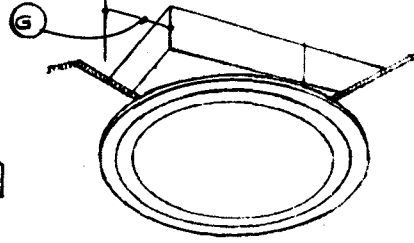
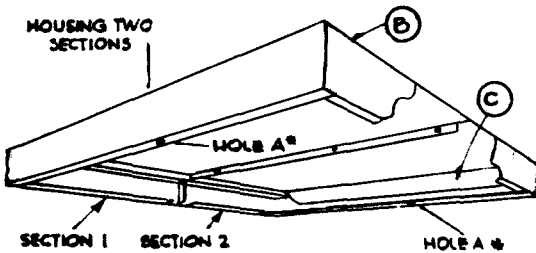


CONCEALED ACOUSTICAL CEILING



EXPOSED ACOUSTICAL CEILING

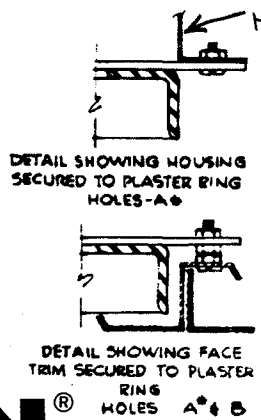
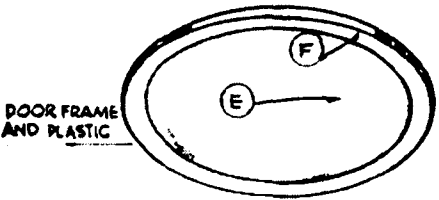
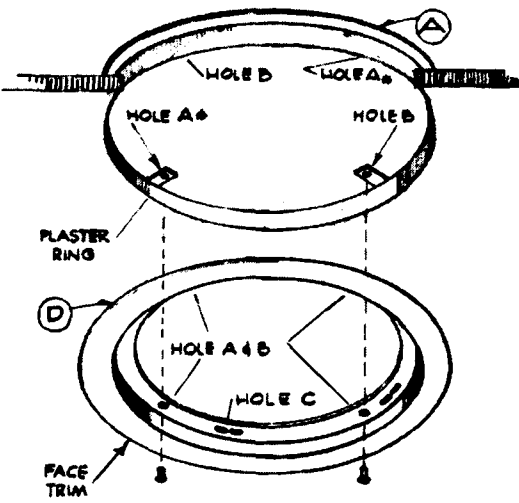
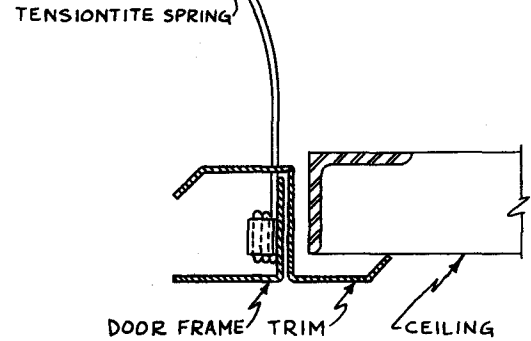
## RECESS DIAMETER CIRCLEDOME



### INSTALL IN THE FOLLOWING ORDER

- A: Plaster Ring — Install bottom of ring flush with finished cl'g.
- B: Square Housing made in 2 parts.
- C: Ballast Cover (2) — All splicing and Ballast inside these covers.
- D: Face Trim — Place elongated twin holes (C) within corners of Housing for tensiontite spring clearance.
- E: Place Plastic Dome Diffuser in door frame.
- F: Attach Tensiontite Springs to (C) twin holes and install.
- G: Space free of obstructions required on one side of housing.

**IMPORTANT NOTE**  
CURVATURE OF SPRING MUST FACE IN TOWARDS FIXTURE AS SHOWN



**WARNING: RISK OF FIRE AND ELECTRIC SHOCK. THIS PRODUCT IS TO BE INSTALLED BY A QUALIFIED ELECTRICIAN ONLY.**

### INSTRUCTIONS FOR SPRING INSTALLATION

