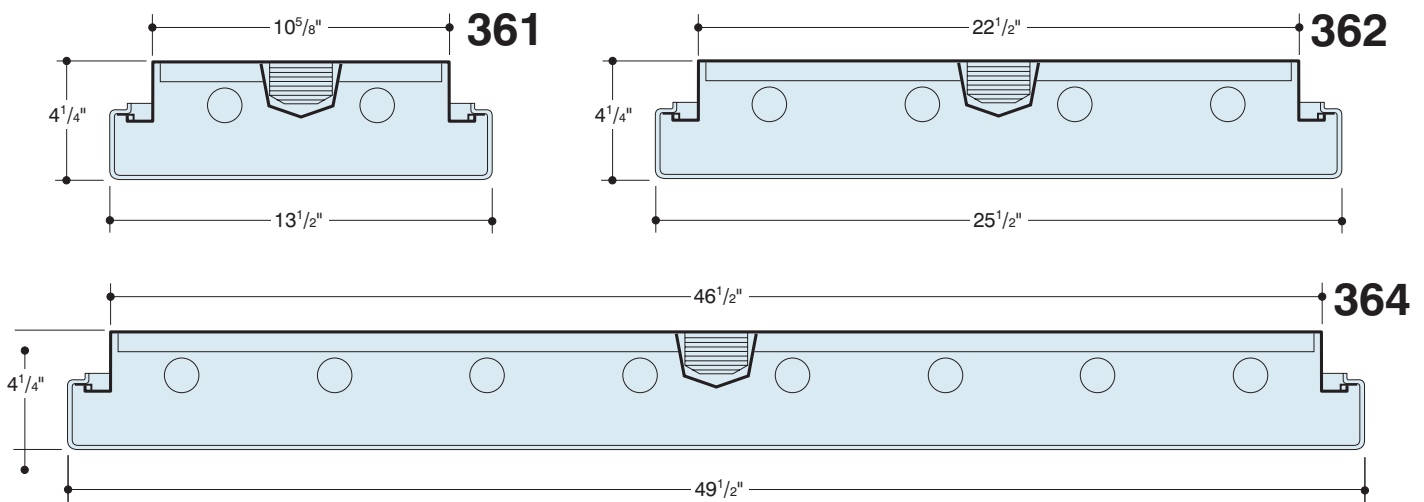
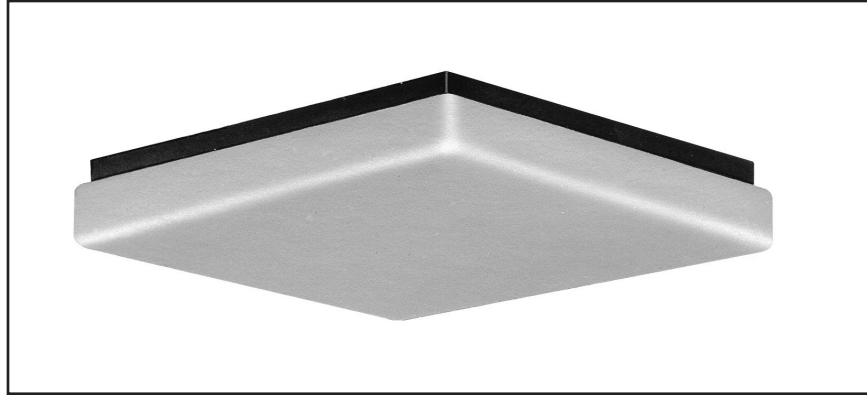


## APPLICATIONS

The MOD-PLEX® Series 361, 362, and 364 features a fully illuminated unobtrusive molded smooth white acrylic diffusing element, producing a soft glow of subdued elegant lighting. Available in popular modular sizes and lamping configurations to please the most discriminating specifier and client. Suitable for Conference Rooms, Reception Areas, Lobbies, Residences, Kitchens, and Hallways.



## SPECIFICATIONS

**CONSTRUCTION:** Die formed code gauge steel, rigidly fabricated and electrically welded to insure true and perfect alignment.

**REFLECTOR/BALLAST COVER:** Die formed of heavy gauge steel and mounted securely to fixture housing and readily removable for maintenance. Formed to optically correct contour to provide maximum efficiency and minimum surface brightness.

**SOCKET PLATES:** Die formed of code gauge steel and mounted securely to fixture housing.

**SHIELDING:** One piece molded smooth white 100% acrylic. Hinges from either side for fast relamping.

**MOUNTING:** Installed flush with ceiling surface or stem mounted. Adequate knockouts are provided on back for stem mounting and feeding (specify if pendant mounted).

**ELECTRICAL:** 1 and 2 lamp T5 electronic program start 450MA for 14W, 28W and 460MA to 300MA for 24W and 54W T5HO or 1, 2 and 3 lamp Octic T8 265MA electronic instant start ballasts, or Rapid Start HPF 270MA Bi-x lamps. High power factor, Class A sound rated <10% THD (less than

10% Total Harmonic Distortion). U.L., CSA, FCC listed Type 1 for multi-voltage 120/277 50/60Hz operation. Other voltages and frequencies available, CONSULT FACTORY.

**FINISH:** All steel component parts are completely protected against rust and discoloration after fabrication through an automated conveyorized multi-stage phosphate bonding process. Finished with an electrostatic baked white polyester thermosetting powder coating. This electronic computer controlled integrated system assures consistent 88%+ reflectance efficiency and maximum durability. Exterior finished standard black powder coat. Exterior optionally available finished white powder coat (see Options listing).

**CERTIFICATION:** The Mod-Plex® Series 361, 362 and 364 luminaires are U.L. and C.U.L. listed and bear the label of the I.B.E.W./AFL-CIO, Local #3.



MOD-PLEX® is a registered trademark of LEGION LIGHTING CO., INC.  
LEGION® is a registered trademark of LEGION LIGHTING CO., INC.

11/11



Section A – Page 27

221 Glenmore Ave., Brooklyn, NY 11207 • Tel: 718/498-1770 • Fax: 718/498-0128  
E-mail: sales@legionlighting.com • Website: www.legionlighting.com • Toll Free Fax: 800/4-LEGION

**ORDERING DATA**

| Nom.          | Catalog No.      | No. and Type Lamps | Min. Dims. |        | Wt. |
|---------------|------------------|--------------------|------------|--------|-----|
|               |                  |                    | Width      | Length |     |
| 1 x 2         | 361-217-ACW EBO  | 2-F017-OCT-T8      | 13½"       | 26"    | 17  |
|               | 361-214-ACW      | 2-F14-T5           |            |        |     |
|               | 361-224HO-ACW    | 2-F24HO-T5         |            |        |     |
| 1 x 4         | 361-232-ACW EBO  | 2-F032-OCT-T8      | 13½"       | 50"    | 27  |
|               | 361-228-ACW      | 2-F28-T5           |            |        |     |
|               | 361-254HO-ACW    | 2-F54HO-T5         |            |        |     |
| 2 x 2         | 362-217-ACW EBO  | 2-F017-OCT-T8      | 25½"       | 26"    | 30  |
|               | 361-214-ACW      | 2-F14-T5           |            |        |     |
|               | 361-224HO-ACW    | 2-F24HO-T5         |            |        |     |
|               | 362-417-ACW EBO  | 4-F017-OCT-T8      | 25½"       | 26"    | 31  |
|               | 361-414-ACW      | 4-F14-T5           |            |        |     |
| 361-424HO-ACW | 4-F24HO-T5       |                    |            |        |     |
| 2 x 2         | 362-2U32-ACW EBO | ■ 2-FB032-OCT-T8   | 25½"       | 26"    | 31  |
|               | 362-2BX40-ACW    | ★ 2-F40TT/RS       |            |        |     |
| 2 x 4         | 362-232-ACW EBO  | 2-F032-OCT-T8      | 25½"       | 50"    | 41  |
|               | 362-228-ACW      | 2-F28-T5           |            |        |     |
|               | 362-254HO-ACW    | 2-F54HO-T5         |            |        |     |
|               | 362-432-ACW EBO  | 4-F032-OCT-T8      | 25½"       | 50"    | 48  |
|               | 362-428-ACW      | 4-F28-T5           |            |        |     |
|               | 362-454HO-ACW    | 4-F54HO-T5         |            |        |     |
|               | 362-632-ACW EBO  | 6-F032-OCT-T8      |            |        |     |
|               | 362-628-ACW      | 6-F28-T5           |            |        |     |
|               | 362-654HO-ACW    | 6-F54HO-T5         |            |        |     |
| 4 x 4         | 364-432-ACW EBO  | 4-F032-OCT-T8      | 49½"       | 50"    | 85  |
|               | 364-428-ACW      | 4-F28-T5           |            |        |     |
|               | 364-454HO-ACW    | 4-F54HO-T5         |            |        |     |
|               | 364-632-ACW EBO  | 6-F032-OCT-T8      | 49½"       | 50"    | 90  |
|               | 364-628-ACW      | 6-F28-T5           |            |        |     |
|               | 364-654HO-ACW    | 6-F54HO-T5         |            |        |     |
|               | 364-832-ACW EBO  | 8-F032-OCT-T8      |            |        |     |
|               | 364-828-ACW      | 8-F28-T5           | 49½"       | 50"    | 100 |
| 364-854HO-ACW | 8-F54HO-T5       |                    |            |        |     |

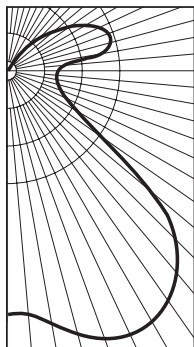
■ Lamp spacing made for 6" or 15/8" center OCTIC U-lamps. For 6" center U-lamps add suffix /6 after cat. no. For 15/8" center U-lamps add suffix /1 after cat. no.

★ F40TT/RS is the ANSI designation of various lamp mfrs., i.e. G.E. Lighting "BIAX", Philips "PL", Osram "DULUX L", Sylvania TWIN-TUBE. For F50TT/RS lamps, change cat. no. Ex: **362-2BX50-ACW** etc. & consult factory. For F55TT/RS, consult factory.

NOTE: Consult factory for BIAX and T12 lamping. OCTRON™ is a registered trademark of SYLVANIA.

**PHOTOMETRIC DATA**

**Typical Distribution Curve**



Cat. No. **361-232-ACW**  
Lamps: (2) FO32OCT-T8  
each rated 2800 lumens

Coeff. of Utilization - Zonal Cavity Method

| FLOOR   | 30%         | 10%         |
|---------|-------------|-------------|
| CEILING | 80%         | 50%         |
| WALL    | 50% 30% 10% | 50% 30% 10% |
| 1       | .68 .66 .64 | .64 .62 .61 |
| 2       | .61 .57 .54 | .58 .56 .53 |
| 3       | .56 .51 .47 | .52 .48 .46 |
| 4       | .50 .46 .41 | .46 .44 .41 |
| 5       | .46 .40 .36 | .43 .38 .36 |
| 6       | .41 .36 .32 | .38 .35 .32 |
| 7       | .37 .32 .28 | .36 .31 .28 |
| 8       | .33 .28 .24 | .32 .27 .24 |
| 9       | .30 .26 .21 | .28 .25 .21 |
| 10      | .28 .23 .20 | .27 .22 .19 |

Cat. No. **362-432-ACW**  
Lamps: (4) FO32OCT-T8  
each rated 2800 lumens

Coeff. of Utilization - Zonal Cavity Method

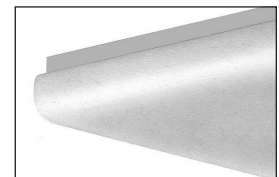
| FLOOR   | 30%         | 10%         |
|---------|-------------|-------------|
| CEILING | 80%         | 50%         |
| WALL    | 50% 30% 10% | 50% 30% 10% |
| 1       | .61 .58 .57 | .57 .56 .54 |
| 2       | .54 .50 .47 | .51 .48 .46 |
| 3       | .48 .44 .40 | .46 .42 .39 |
| 4       | .43 .38 .34 | .41 .37 .34 |
| 5       | .38 .33 .29 | .38 .32 .30 |
| 6       | .34 .29 .26 | .32 .28 .26 |
| 7       | .31 .26 .22 | .29 .26 .22 |
| 8       | .27 .23 .19 | .26 .22 .19 |
| 9       | .25 .20 .17 | .24 .19 .17 |
| 10      | .22 .18 .15 | .22 .17 .15 |

Cat. No. **364-832-ACW**  
Lamps: (8) FO32OCT-T8  
each rated 2800 lumens

Coeff. of Utilization - Zonal Cavity Method

| FLOOR   | 30%         | 10%         |
|---------|-------------|-------------|
| CEILING | 80%         | 50%         |
| WALL    | 50% 30% 10% | 50% 30% 10% |
| 1       | .75 .72 .70 | .70 .69 .67 |
| 2       | .67 .62 .59 | .63 .60 .57 |
| 3       | .60 .56 .51 | .57 .53 .50 |
| 4       | .54 .48 .44 | .51 .47 .44 |
| 5       | .48 .43 .38 | .46 .41 .37 |
| 6       | .43 .36 .34 | .42 .37 .33 |
| 7       | .40 .34 .30 | .36 .33 .30 |
| 8       | .36 .29 .26 | .34 .29 .25 |
| 9       | .32 .27 .22 | .31 .26 .22 |
| 10      | .29 .23 .20 | .28 .23 .20 |

Optional "ACWSC"  
Acrylic White  
Soft Corner  
diffuser  
(see Options listing).



**OPTIONS**

Suffix "DIM" after catalog no. for dimming ballast.  
Suffix "LT" after catalog no. for cold weather ballast.  
Suffix "EM" after cat. no. for emerg. battery pack, see price list for types.  
Suffix "DL" after catalog no. for damp location.  
Suffix "WH" after catalog no. for white exterior housing.  
Change suffix "ACW" to "ACWCS" for Acrylic White Soft Corner diffuser.  
Available only in 1'x4', 2'x2', and 2'x4' sizes.

**ELECTRONIC BALLASTS**

"EBO" - Electronic T8 Octron ballast.  
"EBX" - Electronic (BIAX) Twin-Tube ballast.  
Electronic T5/T5HO ballast

**DIMMING BALLASTS**

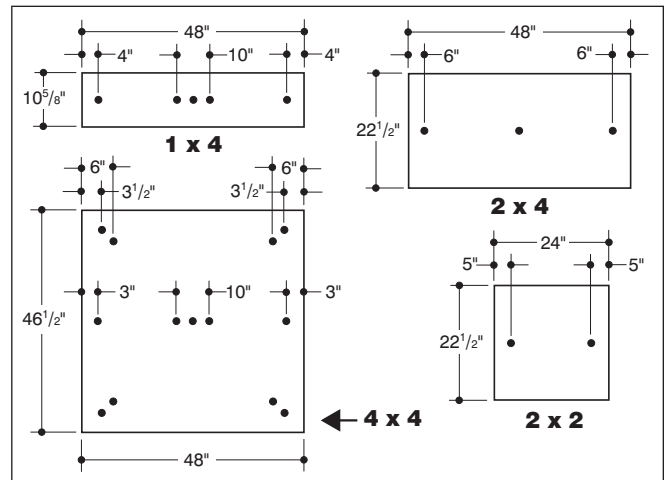
Suffix "EBDO" after catalog no. for T8 dimming ballast.  
Suffix "EBDP" after catalog no. for T5 dimming ballast.  
Suffix "EBDOA" after catalog no. for electronic dimming ballast ADVANCE MARK X.  
Suffix "ECO-10" after catalog no. for electronic dimming ballast LUTRON ECO-10.  
Suffix "HIL" after catalog no. for LUTRON HI-LUME dimming ballast.  
Suffix "H3D" after catalog no. for LUTRON HI-LUME 3D dimming ballast.  
Suffix "ECO-5" after catalog no. for LUTRON ECO SYSTEM.

Other Dimming and Program Start ballasts are available, CONSULT FACTORY.

**Legion is a Lutron® Silver Partner**

Lutron® is a registered trademark of Lutron Electronics

**BACK PLANS**



Information supplied primarily for illustrative purposes, subject to change.  
Consult factory for verification and minimum quantity orders.

