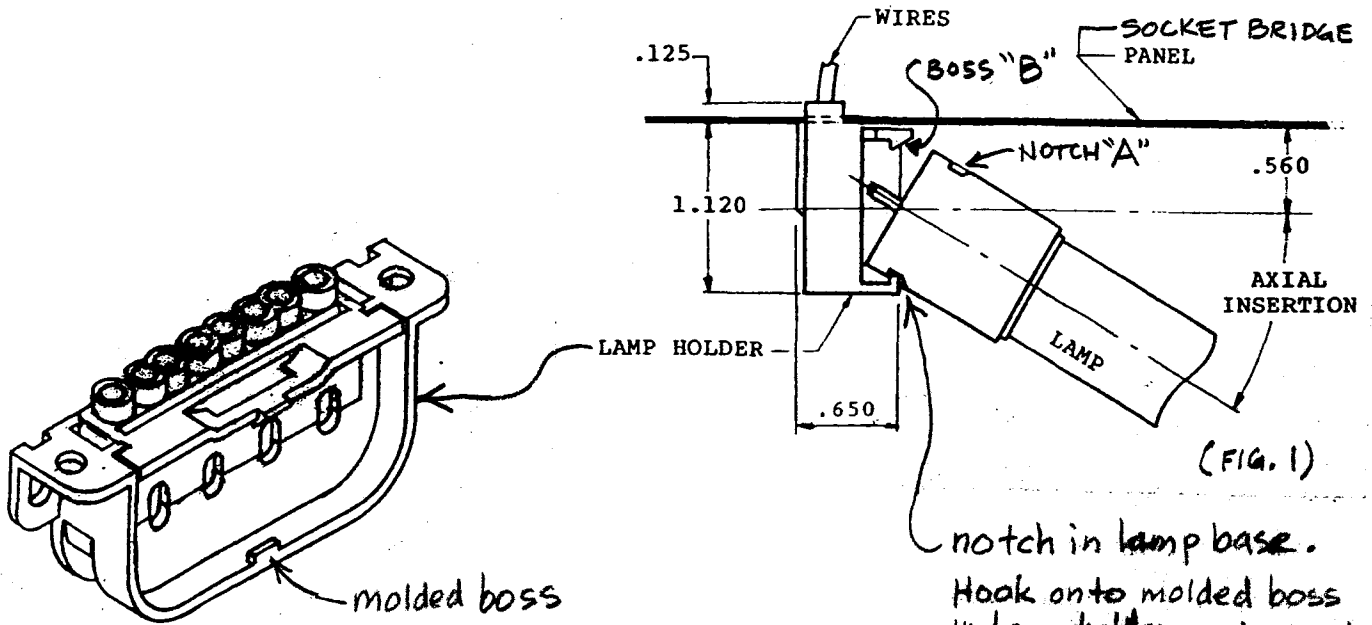




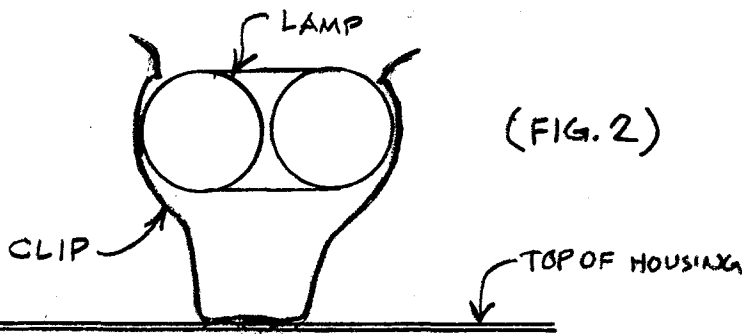
## LAMP INSTALLATION INSTRUCTIONS



(FIG. 1)

notch in lamp base.  
Hook onto molded boss in lampholder and insert the 4 pins on lamp base into 4 holes in lampholder.  
Then swing lamp up as shown in FIG. 1 above, snapping lamp base notch "A" into Boss "B" of Lampholder.

Lastly, secure lamp into spring retaining clip at opposite end.  
FIG. 2



(FIG. 2)