

APPLICATIONS

Specification quality embossed multi-lamp industrial units for rapid start (265MA & 430MA), slimline (430MA), high output (800MA), very high output and powergroove (1500MA) lamps. Quality components, assuring long trouble free life. Engineered control for highest light output, performance and integrity.

For use in industrial areas, warehouses, factories, parking garages and wherever high light output is required.



SPECIFICATIONS

CONSTRUCTION: Die formed of 20 gauge cold rolled prime steel with full indentations for rigidity. Housings for tandem units are in one piece section 8 feet long.

REFLECTOR: Supplied in 4-foot lengths with full length flange for lengthwise rigidity. Apertured reflectors have stiffening indentations between apertures for assured rigidity. Top surface is smooth and free of projections for ease of maintenance. CAD engineered to optically correct contour, with a highly reflective finish (optionally available in porcelain finish, see OPTIONS), provides high performance efficiency and maximum distribution of light spread.

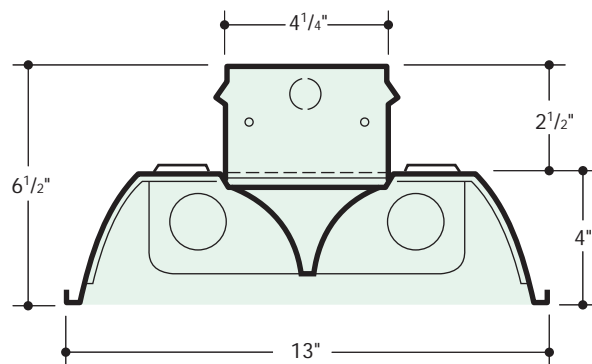
MOUNTING: Installed flush with ceiling surface or stem mounted, singly or in continuous rows. For continuous mounting, end knockouts may be removed and units joined together. Adequate knockouts for stem mounting and chain hanging are supplied.

ELECTRICAL: Thermally protected Class "P" Energy Saving Rapid Start HPF 265MA-T8, 430MA-T12, Slimline 265MA-T8, and 425MA-T12, High Output 800MA-T12, Very High Output 1500MA-T12, and Power Groove 1500MA-T17, magnetic ballasts for 118V 60 Hz operation standard. Optional Electronic ballasts, other voltages and frequencies available, (see OPTIONS listing and consult factory).

COMPONENTS: Lampholders are spring loaded bi-pin or single pin or recessed double contact design; multiple turret type.

FINISH: All steel component parts are completely protected against rust and discoloration by an Anchored Process and coated with 365° sprayed baked white synthetic enamel for maximum durability, providing a high reflectance efficiency.

CERTIFICATION: The Series 2800 is U.L. and C.U.L. listed and bears the label of the I.B.E.W./AFL-CIO, Local #3.



2 Lamps

LEGION® is a registered trademark of LEGION LIGHTING CO., INC.

11/05

ORDERING DATA

Catalog Number	Number and Type Lamps					Nominal Dimensions	Wt.
	OCT-265MA	SL-430MA OCT-265MA	HO-800MA	VHO-1500MA	T-17 PG-1500MA		
2800-232 EBO	2-F032-OCT-T8	-----	-----	-----	-----	6 1/2"x13"x48"	19
2800-232-8T EBO	4-F032-OCT-T8	-----	-----	-----	-----	6 1/2"x13"x96"	36
2800-296SL	-----	2-75W-SL-T12	-----	-----	-----	6 1/2"x13"x96"	38
2800-296SL EBO	-----	2-F096-OCT-T8	-----	-----	-----		35
2800-248HO	-----	-----	2-60W-HO-T12	-----	-----	6 1/2"x13"x48"	25
2800-296HO	-----	-----	2-110W-HO-T12	-----	-----	6 1/2"x13"x96"	38
2800-248VHO	-----	-----	-----	2-110W-VHO-T12	-----	6 1/2"x13"x48"	25
2800-296VHO	-----	-----	-----	2-215W-VHO-T12	-----	6 1/2"x13"x96"	42
● 2800-248PG	-----	-----	-----	-----	2-110W-PG-T17	6 1/2"x13"x48"	25
● 2800-296PG	-----	-----	-----	-----	2-215W-PG-T17	6 1/2"x13"x96"	42

● Supplied with Tombstone lampholders

OCTRON™ is a trademark of SYLVANIA.

OPTIONS

Suffix "EM" after catalog number for Emergency Battery Pack and see price list for types.

Suffix "DL" after catalog number for Damp Location.

Suffix "WG" after catalog number for Wire Guard.

Suffix "A12" after catalog number for 12% upright slots in reflector.

Suffix "LT" after catalog number for Cold Weather ballast.

Suffix "RA" after catalog number for Reflector Aligner.

Suffix "CH" after catalog number for Clamp Hanger.

Suffix "MCH" after catalog number for Messenger Cable Hanger.

Suffix "CS" after catalog number for Chain set.

Suffix "P" before catalog number for Porcelain Reflector.

ELECTRONIC

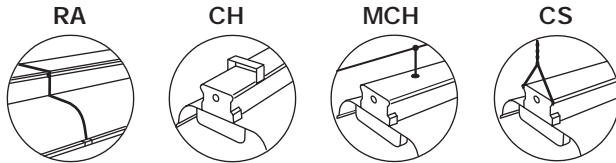
Add Suffix after catalog number:

"EBT"- Electronic T12 Ballast

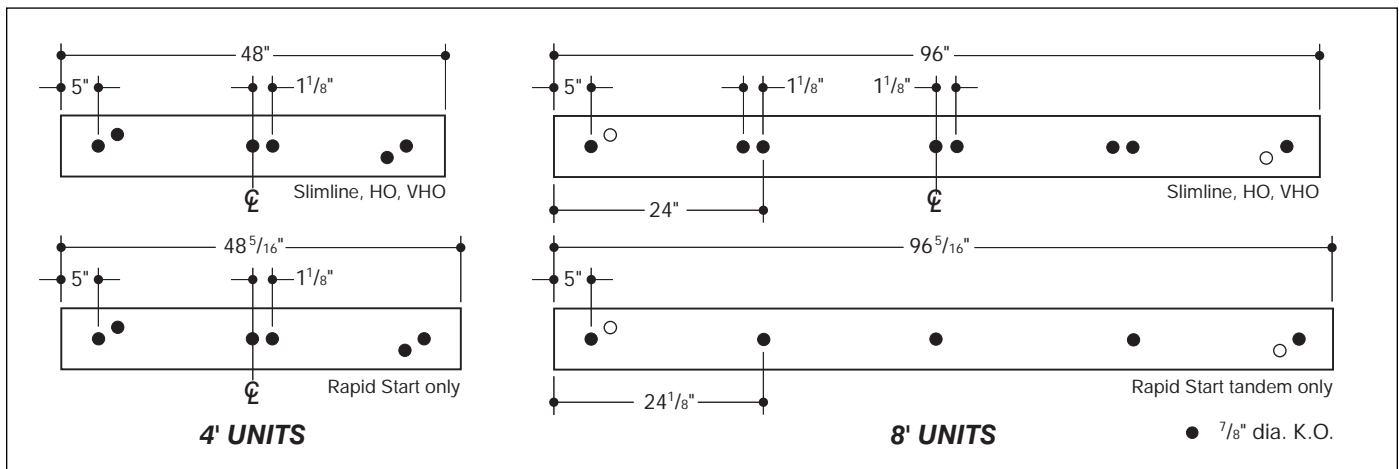
"EBO"- Electronic T8 Octron Ballast

"EBD"-Electronic T12 Dimming Ballast

"EBDO"-Electronic T8 Dimming Ballast



BACK PLANS



For Photometric Data consult factory.

Information supplied primarily for illustrative purposes, subject to change. Consult factory for verification and minimum quantity orders.

