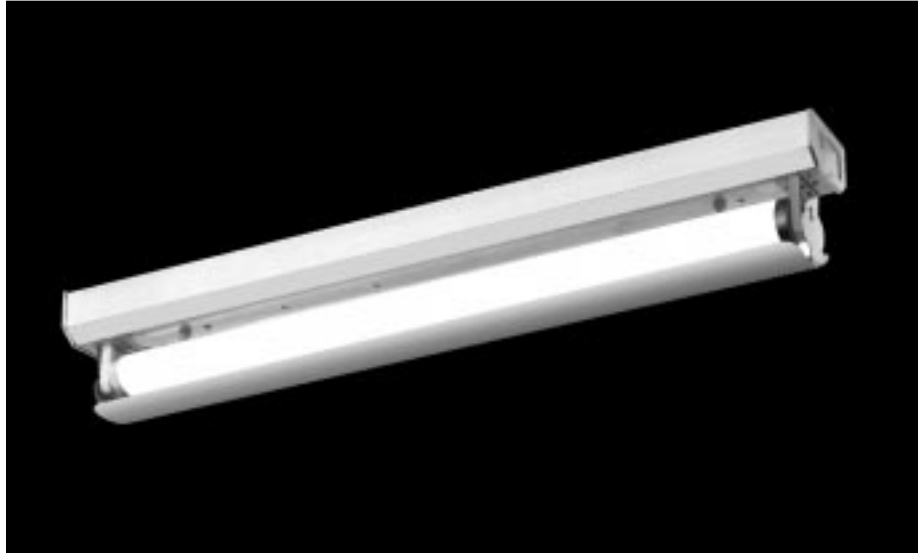


WALL BRACKET - Adjustable Reflector Series 275

APPLICATIONS

Specifiers choice for a variety of display and utility lighting needs. Compact components rigidly fabricated to insure long trouble free life. Broad range of lengths to provide the right light for the job. Suitable for display cabinets, trophy or book cases, wherever a large fixture just won't do.



SPECIFICATIONS

CONSTRUCTION: Die formed of heavy gauge cold rolled prime steel, rigidly fabricated, and electrically welded to insure true and perfect alignment.

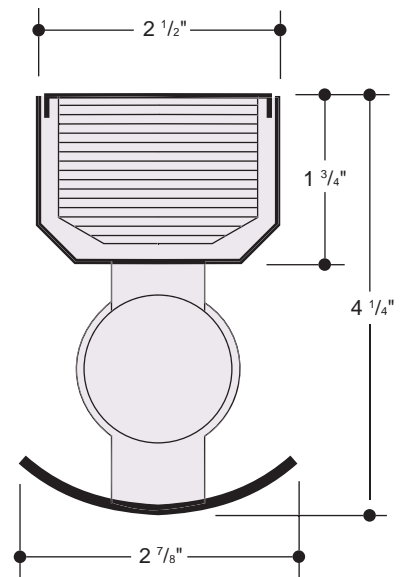
MOUNTING: Can be installed either horizontally or vertically on the wall, or surface mounted on the ceiling. Adequate knockouts and holes are provided for mounting and feeds.

ELECTRICAL: Thermally protected class "P" Energy Saving Rapid Start HPF 265MA-T8, 430MA-T12 magnetic ballast for 118V 60 Hz operation standard. Optional electronic ballasts, other voltages and frequencies available, (consult factory).

FINISH: Highly polished chromium housing and reflector.

CERTIFICATION: The Series 275 is U.L. and C.U.L. listed and bears the label of the I.B.E.W./AFL-CIO.

LEGION® is a registered trademark of LEGION LIGHTING CO., INC.



ALL DIMENSIONS SHOWN ARE NOMINAL

ORDERING DATA

Catalog No.	No. and Type Lamp	Ballast	Nominal Length	Weight
275-114L	1-14W-TS-T8/T12	LPF	16 1/2"	3
275-115L	1-15W-TS-T8/T12	LPF	19 1/2"	
275-120L	1-20W-TS-T12	LPF	25 1/2"	4
★ 275-117	1-FO17-OCT-T8	HPF		
275-130L	1-30W-RS-T12	LPF	37 1/2"	7
275-130H		HPF		8
★ 275-125	1-FO25-OCT-T8	HPF		8
275-140L	1-40W-RS-T12	LPF		49 1/2"
275-140H		HPF	10	
★ 275-132		1-FO32-OCT-T8	HPF	

Reflectors		Nominal Length	Weight
■ 275R-14		15 1/2"	1/2
■ 275R-15		18 1/2"	1/2
■ 275R-20		24 1/2"	1
■ 275R-30		36 1/2"	1 1/2
■ 275R-40		48 1/2"	2

■ Suffix after catalog no. for Polished Chrome Adjustable Reflector.
Example: 275-140L-275R-40.

OPTIONS

Suffix "GCO" after catalog no. for grounded convenience outlet.
 Suffix "TSW" after catalog no. for single circuit switch.
 Suffix "DL" after catalog no. for damp location.
 Suffix "EM" after cat. no. for emergency battery pack, and see price list for types.
 Suffix "DIM" after catalog no. for dimming ballast, where applicable (consult factory).
 Suffix "LT" after catalog no. for low temperature ballast, where applicable (consult factory).

ENERGY SAVING BALLASTS Where applicable (consult factory).
 Suffix "ESB" after catalog number, then / and one of the following:

MAGNETIC

"SLH" - Superlow Heat T12 Ballast
 "PRE" - Premium III T12 Ballast
 "OCT" - Octron T8 Ballast

ELECTRONIC

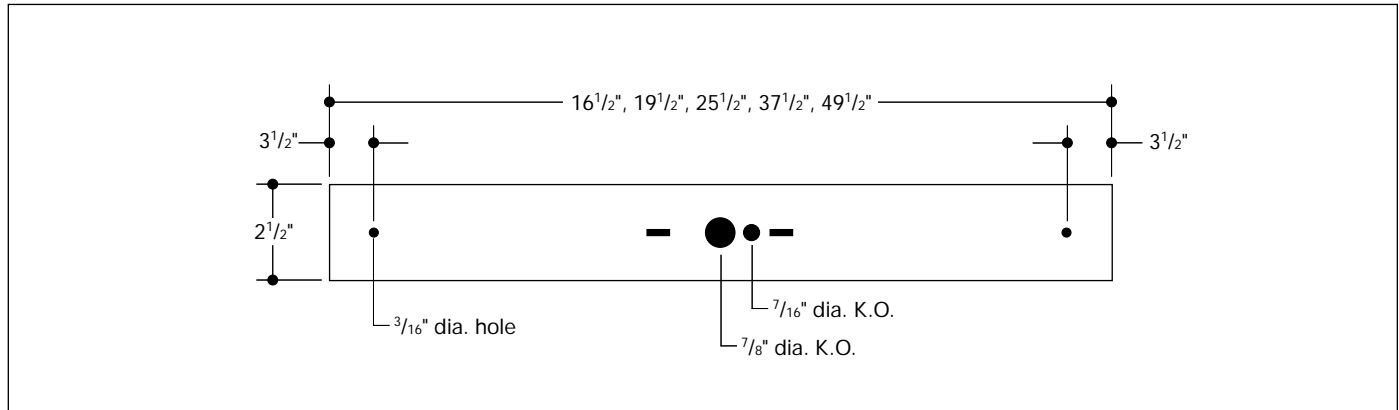
"EB" - Electronic T12 Ballast
 "EBO" - Electronic T8 Octron Ballast
 "EBD" - Electronic T12 Dimming Ballast
 "EBDO" - Electronic T8 Dimming Ballast

★ As a Energy Star® Partner, Legion Lighting Co., Inc. has determined that the Series 275 Wall Bracket Starred ★ meets the Energy Star® guidelines for energy efficiency. Please consult factory for specific information.



Energy Star® and Logo are registered trademarks of the U.S. Govt. and EPA

BACK PLAN



Information supplied primarily for illustrative purposes, subject to change.
 Consult factory for verification and minimum quantity orders.