

APPLICATIONS

Compact fluorescent light channels combine the highly efficient color corrected compact lamp with a rigid steel housing and raceway. Available in popular linear lengths, this series utilizes rapid start high power factor ballasts housed inside of its rectangular profile. Compact fluorescent light channels can be combined in linear lengths to create wall to wall continuous lighting.

Dark corners and dark ends are eliminated. Socket shadows and “dead-spots” disappear.



SPECIFICATIONS

CONSTRUCTION: Die formed of 20 gauge cold rolled prime steel, rigidly fabricated, and electrically welded to insure true and perfect alignment.

MOUNTING: Installed flush with ceiling surface, coves or stem mounted, singly or in continuous rows. For continuous mounting, end knockouts may be removed and units joined together. Adequate knockouts and holes are provided for mounting and feeds.

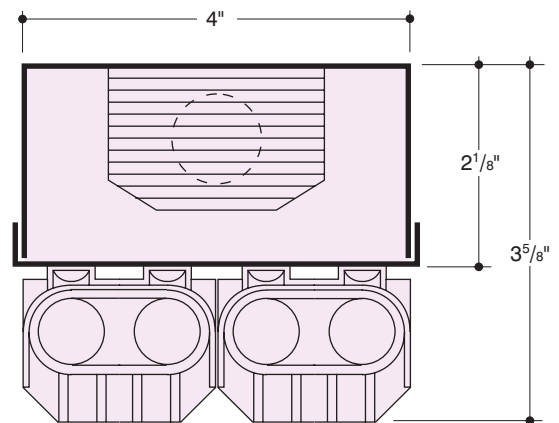
BALLAST: 2 lamp Rapid Start, high power factor, class “P”, 120 volt, 60 Hz., U.L. listed. For *BIAX™, DULUX™, PL™ or Sylvania Twin Tube lamps. Other voltages available, as well as dimming ballasts. Consult factory.

FINISH: All steel component parts are completely protected against rust and discoloration by an Anchored Process and coated with 365° sprayed baked white synthetic enamel for maximum durability and shall provide high reflectance efficiency.

CERTIFICATION: The Series 2410BX is U.L. listed and bears the label of the I.B.E.W./AFL-CIO.

* Biax™ is a registered trademark of G.E. Lighting, Dulux™ of Osram, and PL™ of Philips.

Due to the very nature of coves and enclosed areas, the heat ambiance temperature must be considered when designing and installing in confined spaces, so that the spaces are adequately ventilated to provide heat dissipation and air circulation to prevent ballast cycling, failure, or reduced ballast and lamp life.



ORDERING DATA

CAT. NO.	LENGTH	NO. AND TYPE LAMPS	SOCKET SPACING
2410-2BX39	18"	2-*F39TT/RS	18"
▲ 2410-2BX40	24"	▲ 2-*F40TT/RS	24"
2410-4BX39	36"	4-*F39TT/RS	18"
▲ 2410-4BX40	48"	▲ 4-*F40TT/RS	24"
▲ 2410-6BX40	72"	▲ 6-*F40TT/RS	24"
▲ 2410-8BX40	96"	▲ 8-*F40TT/RS	24"

* F39TT/RS and F40TT/RS is the ANSI designation of various lamp manufacturers, i.e: G.E. Lighting "BIAx", Philips "PL", Osram "DULUX L", Sylvania TWIN TUBE.
 ▲ For F50TT/RS change Cat. No. Example: 2410-2BX50 etc., and CONSULT FACTORY.

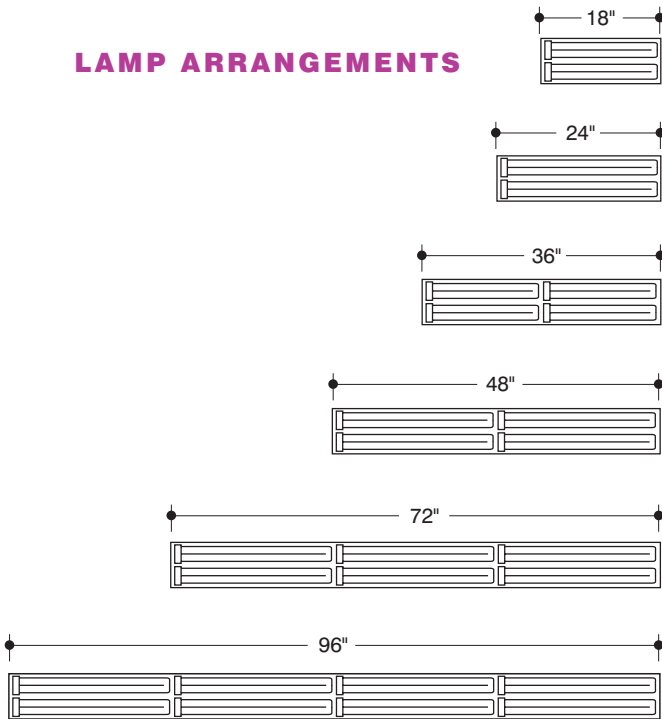
OPTIONS

Options/Consult Factory
 DIM - Dimming Ballast
 EM - Emergency Battery Pack
 ESB/EBX - Electronic BIAx Ballast
 Reflectors
 Wire guards

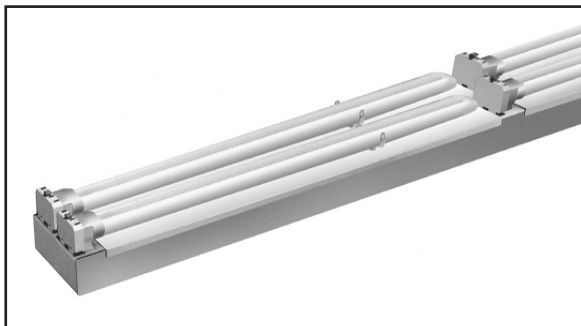
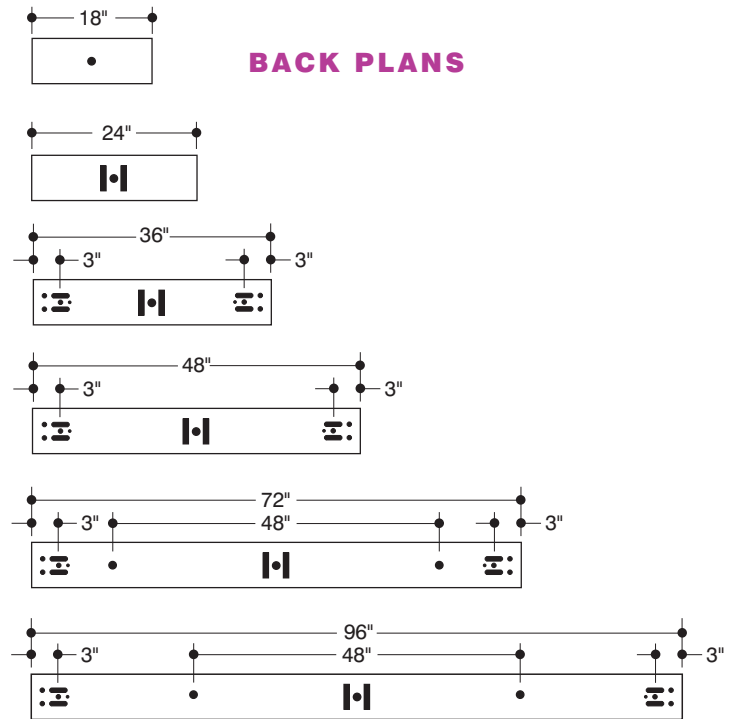
FOR PHOTOMETRIC DATA CONSULT FACTORY

Information supplied primarily for illustrative purposes, subject to change. Consult factory for verification and minimum quantity orders.

LAMP ARRANGEMENTS



BACK PLANS



- 7/8" dia. Knockout
- Chain slots
- 2 1/2" x 3/4"