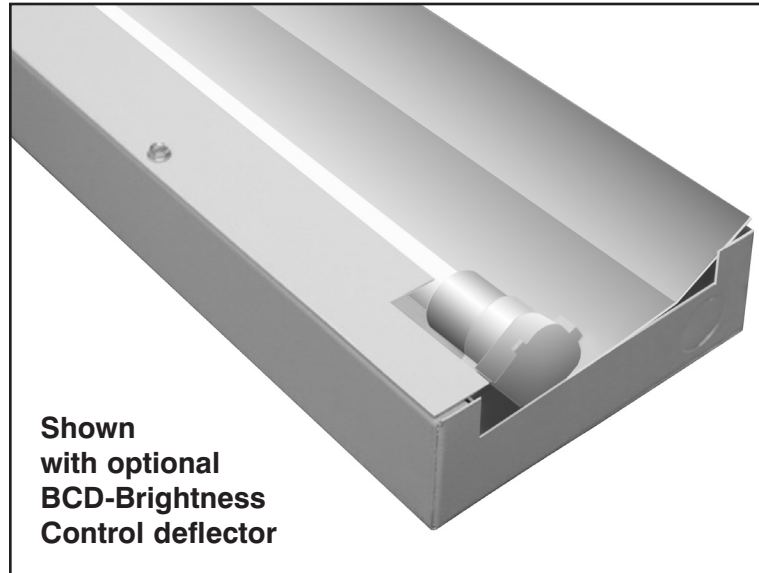


### APPLICATIONS

The COVE LITE series of concealed perimeter cove units offer an unprecedented range of lighting design and installation choices. A simple, highly efficient design offering a small cross-section. Four lamp types. Several lumen output choices. Extremely shallow angle forward beam throw. Housing length choices of 2-, 3-, 4-, 5-, 6-, and 8-feet.



### SPECIFICATIONS

**CONSTRUCTION:** Die formed of 20 gauge cold rolled prime steel, rigidly fabricated, and electrically welded to insure true and perfect alignment.

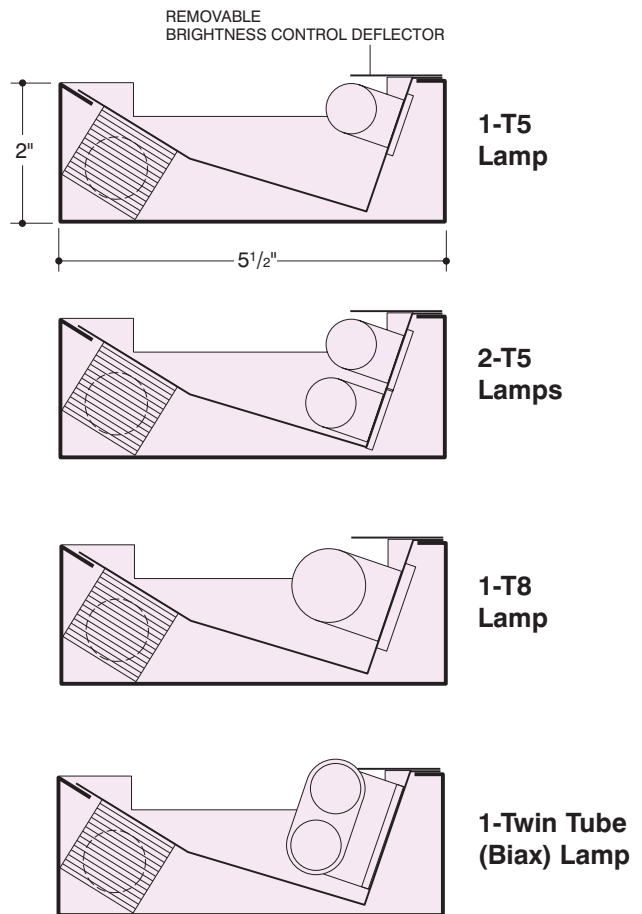
**REFLECTOR:** CAD/CAM designed and formed of code gauge steel to optically correct contour to provide precise light distribution with maximum efficiency, and glare control, removable to access wiring and can be provided with optional removable Brightness Control Deflector to minimize socket shadow.

**MOUNTING:** For mounting in concealed architectural coves with space limitations. Indirect perimeter lighting. For continuous mounting, end knockouts may be removed and units joined together. Adequate knockouts and holes are provided for mounting and feeds.

**ELECTRICAL:** Ballast, Twin-Tube (BIAX) Electronic, low profile, high power factor, thermally protected Class P, Sound Rated A. T8 has <10% total harmonic distortion (THD) or less. T5 has <10% total harmonic distortion (THD) or less and end-of-life sensing. For 118 volt 60 Hz operation. Other voltages and frequencies available, CONSULT FACTORY. The minimum number of ballasts will be used in runs unless specified otherwise.

**FINISH:** All steel component parts are completely protected against rust and discoloration after fabrication through an automated conveyorized multi-stage phosphate bonding process. Finished with an electrostatic baked matte white polyester thermosetting powder coating. This electronic computer controlled integrated system assures consistent 88%+ reflectance efficiency and maximum durability.

**CERTIFICATION:** The Cove Lite Series 205 is U.L. and C.U.L. listed and bears the label of the I.B.E.W./AFL-CIO, Local #3.



LEGION® is a registered trademark of LEGION LIGHTING CO., INC.

**ORDERING DATA**

|                  | Catalog No.    | No. and Type Lamps | Lengths |                                  | Wt.    |    |
|------------------|----------------|--------------------|---------|----------------------------------|--------|----|
|                  |                |                    | Nom.    | Actual                           |        |    |
| 1 Lamp T5 Metric | 205-114        | 1-F14-T5           | 2ft.    | 22 <sup>3</sup> / <sub>8</sub> " | 568mm  | 5  |
|                  | 205-124HO      | 1-F24HO-T5         |         |                                  |        |    |
|                  | 205-121        | 1-F21-T5           | 3ft.    | 34 <sup>1</sup> / <sub>4</sub> " | 870mm  | 7  |
|                  | 205-139HO      | 1-F39HO-T5         |         |                                  |        |    |
|                  | 205-128        | 1-F28-T5           | 4ft.    | 46"                              | 1168mm | 10 |
|                  | 205-154HO      | 1-F54HO-T5         |         |                                  |        |    |
|                  | 205-135        | 1-F35-T5           | 5ft.    | 57 <sup>7</sup> / <sub>8</sub> " | 1470mm | 12 |
|                  | 205-180HO      | 1-F80HO-T5         |         |                                  |        |    |
|                  | 205-121-6T     | 2-F21-T5           | 6ft.    | 68 <sup>1</sup> / <sub>2</sub> " | 1740mm | 15 |
|                  | 205-139HO-6T   | 2-F39HO-T5         |         |                                  |        |    |
| 205-128-8T       | 2-F28-T5       | 8ft.               | 92"     | 2336mm                           | 20     |    |
| 205-154HO-8T     | 2-F54HO-T5     |                    |         |                                  |        |    |
| 2 Lamp T5 Metric | 205-214        | 2-F14-T5           | 2ft.    | 22 <sup>3</sup> / <sub>8</sub> " | 568mm  | 5  |
|                  | 205-224HO      | 2-F24HO-T5         |         |                                  |        |    |
|                  | 205-221        | 2-F21-T5           | 3ft.    | 34 <sup>1</sup> / <sub>4</sub> " | 870mm  | 7  |
|                  | 205-238HO      | 2-F39HO-T5         |         |                                  |        |    |
|                  | 205-228        | 2-F28-T5           | 4ft.    | 46"                              | 1168mm | 10 |
|                  | 205-254HO      | 2-F54HO-T5         |         |                                  |        |    |
|                  | 205-235        | 2-F35-T5           | 5ft.    | 57 <sup>7</sup> / <sub>8</sub> " | 1470mm | 12 |
|                  | 205-280HO      | 2-F80HO-T5         |         |                                  |        |    |
|                  | 205-221-6T     | 4-F21-T5           | 6ft.    | 68 <sup>1</sup> / <sub>2</sub> " | 1740mm | 15 |
|                  | 205-239HO-6T   | 4-F39HO-T5         |         |                                  |        |    |
| 205-228-8T       | 4-F28-T5       | 8ft.               | 92"     | 2336mm                           | 20     |    |
| 205-254HO-8T     | 4-F54HO-T5     |                    |         |                                  |        |    |
| 1 Lamp T8        | 205-117 EBO    | 1-FO17-T8          | 2ft.    | 24"                              |        | 6  |
|                  | 205-125 EBO    | 1-FO25-T8          | 3ft.    | 36"                              |        | 9  |
|                  | 205-132 EBO    | 1-FO32-T8          | 4ft.    | 48"                              |        | 12 |
|                  | 205-140 EBO    | 1-FO40-T8          | 5ft.    | 60"                              |        | 15 |
|                  | 205-125-6T EBO | 2-FO25-T8          | 6ft.    | 72"                              |        | 18 |
| 1 Lamp Biax      | 205-1Bx40 EBX  | 1-F40TT/RS         | 2ft.    | 24"                              |        | 6  |
|                  | 205-1Bx50 EBX  | 1-F50TT/RS         |         |                                  |        |    |
|                  | 205-2Bx39 EBX  | 2-F39TT/RS         | 3ft.    | 36"                              |        | 9  |
|                  | 205-2Bx40 EBX  | 2-F40TT/RS         | 4ft.    | 48"                              |        | 12 |
|                  | 205-2Bx50 EBX  | 2-F50TT/RS         |         |                                  |        |    |
|                  | 205-3Bx40 EBX  | 3-F40TT/RS         | 6ft.    | 72"                              |        | 18 |
|                  | 205-3Bx50 EBX  | 3-F50TT/RS         |         |                                  |        |    |
|                  | 205-4Bx40 EBX  | 4-F40TT/RS         | 8ft.    | 96"                              |        | 24 |
|                  | 205-4Bx50 EBX  | 4-F50TT/RS         |         |                                  |        |    |

**OPTIONS**

**T5/T8**

- Suffix "DIM" after catalog no. for dimming ballast.
- Suffix "LT" after catalog no. for cold weather ballast.
- Suffix "DL" after catalog no. for damp location.
- Suffix "BCD" after catalog no. for brightness control deflector
- Suffix "STB" after catalog no. for saw tooth brightness dispersion baffle.
- Suffix "EM" after catalog no. for emergency battery pack, see price list for types and consult factory.

**BIAX/Twin Tube**

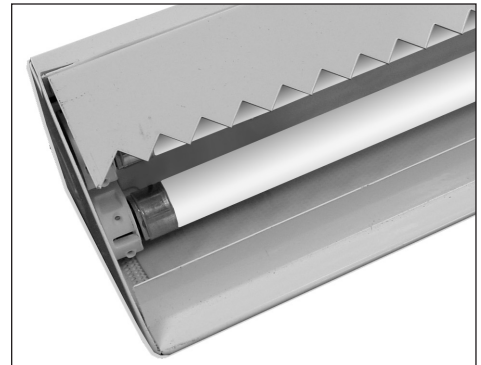
- Same as T5/T8 plus:
- Suffix "EBDX" after catalog no. for Electronic (BIAX) Twin Tube Dimming Ballast.

- Battery pack mounted remote in separate box.

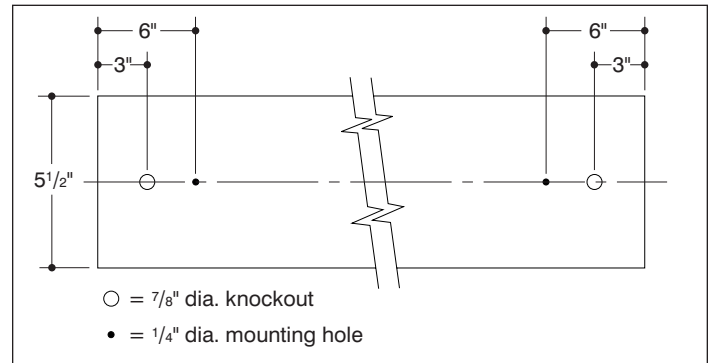
**Legion is a Lutron® Silver Partner**

Lutron® is a registered trademark of Lutron Electronics

Optional **STB** - Saw Tooth brightness dispersion baffle.



**BACK PLAN**



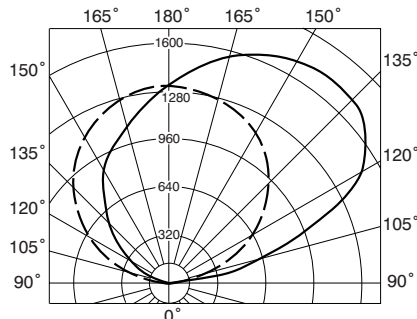
**PHOTOMETRIC DATA**

**Cat. No. 205-228**

Lamps: (2) Philips TL5 28W  
rated 2900 Lumens each

Total Luminaire Efficiency = 78.8%

| Zonal Lumen Summary |        |        |         |
|---------------------|--------|--------|---------|
| Zone                | Lumens | % Lamp | % Fixt. |
| 0-90                | 0      | 0.0    | 0.0     |
| 90-120              | 1161   | 20.0   | 25.4    |
| 90-130              | 1967   | 33.9   | 43.1    |
| 90-150              | 3507   | 60.5   | 76.8    |
| 90-180              | 4568   | 78.8   | 100.0   |
| 0-180               | 4568   | 78.8   | 100.0   |



**Coefficients of Utilization - Zonal Cavity Method**

| Floor   | 20% |     |     |     |     |     |     |     |     |     |     |
|---------|-----|-----|-----|-----|-----|-----|-----|-----|-----|-----|-----|
|         | 80% |     |     | 70% |     |     | 50% |     |     |     |     |
| Ceiling | 70% | 50% | 30% | 10% | 70% | 50% | 30% | 10% | 50% | 30% | 10% |
| Walls   | 0   | 1   | 2   | 3   | 4   | 5   | 6   | 7   | 8   | 9   | 10  |
|         | 75  | 68  | 62  | 56  | 55  | 47  | 43  | 40  | 37  | 34  | 32  |
|         | 75  | 65  | 57  | 50  | 44  | 39  | 35  | 31  | 28  | 25  | 23  |
|         | 75  | 62  | 52  | 44  | 38  | 33  | 30  | 27  | 24  | 22  | 20  |
|         | 75  | 60  | 49  | 40  | 34  | 29  | 25  | 22  | 19  | 18  | 17  |
|         | 64  | 56  | 45  | 38  | 33  | 29  | 25  | 22  | 19  | 18  | 17  |
|         | 64  | 53  | 42  | 35  | 29  | 25  | 21  | 18  | 16  | 15  | 14  |
|         | 64  | 49  | 38  | 31  | 26  | 22  | 18  | 15  | 13  | 12  | 11  |
|         | 64  | 45  | 33  | 27  | 22  | 18  | 15  | 12  | 10  | 9   | 8   |
|         | 44  | 38  | 29  | 23  | 19  | 16  | 14  | 11  | 10  | 9   | 8   |
|         | 44  | 31  | 23  | 18  | 14  | 11  | 9   | 7   | 6   | 5   | 4   |
|         | 44  | 29  | 21  | 16  | 12  | 9   | 7   | 5   | 4   | 3   | 2   |
|         | 44  | 26  | 18  | 13  | 10  | 7   | 5   | 4   | 3   | 2   | 1   |
|         | 44  | 23  | 15  | 11  | 8   | 6   | 4   | 3   | 2   | 1   | 0   |
|         | 44  | 21  | 14  | 10  | 7   | 5   | 4   | 3   | 2   | 1   | 0   |
|         | 44  | 18  | 12  | 9   | 6   | 4   | 3   | 2   | 1   | 0   | 0   |