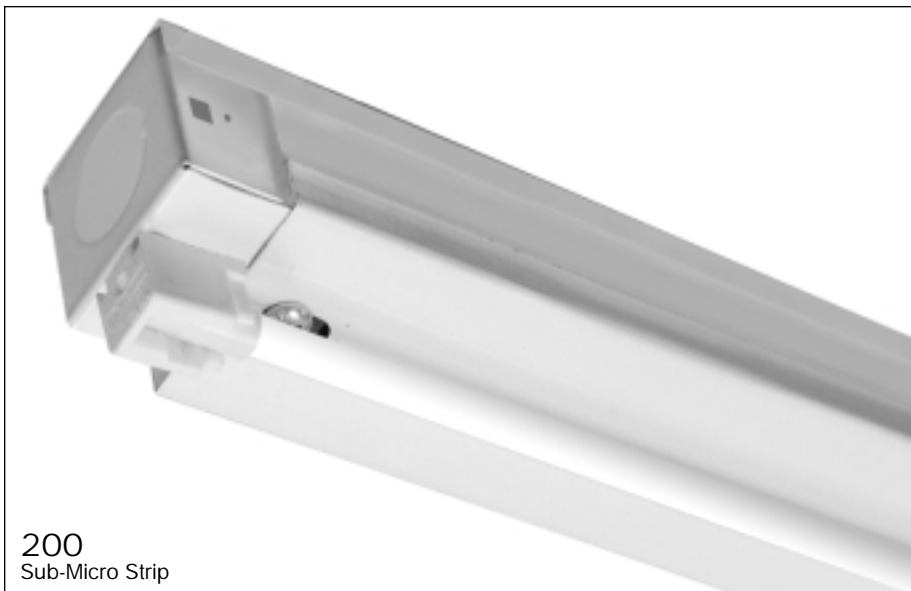


SUB-MICRO-STRIP® T2 Series 200-225-240-245-255

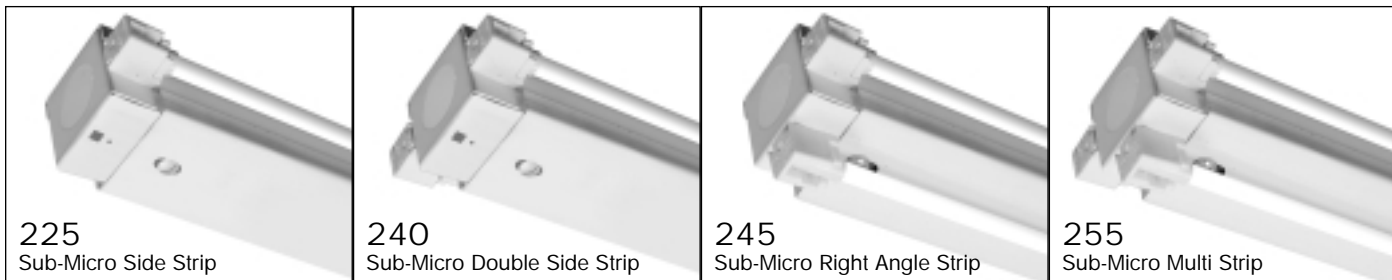
APPLICATIONS

SUB-MICRO-STRIP® offers the specifier for the first time, the smallest electronic ballasted strip. This Ultra Low Profile design opens new vistas and allows greater flexibility for the designer heretofore only accomplished with strips with remote ballast. The Sub-Micro compact design occupies minimum space providing high lumen output, T2 lamps, energy and installation saving, and impressive color rendering availability. Quality components, welded construction, post powder coated finish, assuring a long trouble free life.

For use in Coves, Store Show Cases, Soffits, Cabinets and Display Lighting.



200
Sub-Micro Strip



225
Sub-Micro Side Strip

240
Sub-Micro Double Side Strip

245
Sub-Micro Right Angle Strip

255
Sub-Micro Multi Strip

SPECIFICATIONS

CONSTRUCTION: 20 gauge cold rolled prime steel, die formed and electrically welded to insure true and perfect alignment.

MOUNTING: For individual or continuous rows, for continuous mounting, 7/8" dia. end knockouts may be removed and units joined together, 7/8" dia. knockouts and 1/4" dia. mounting holes provided on back.

ELECTRICAL: 1 and 2 lamp 6, 8, 11 or 13 watt Solid State Electronic, Instant Start High Power Factor, Class "P", Sound rated A, 120/277 volt 60 Hz. -20° start temperature, Type 1 Outdoors. U.L. and C.U.L. listed.

FINISH: All steel component parts are completely protected against rust and discoloration after fabrication through an automated conveyorized multi-stage phosphate bonding process. Finished with an electrostatic baked white polyester thermosetting powder coating. This electronic computer controlled integrated system assures consistent 88%+ reflectance efficiency and maximum durability.

CERTIFICATION: The SUB-MICRO-STRIP® Series is U.L. and C.U.L. listed and bears the label of the I.B.E.W./AFL-CIO, Local #3. Optionally listed for damp locations "DL".

LEGION®, XTRALUME® and MICRO-STRIP® are registered trade marks of LEGION LIGHTING CO., INC.

REFLECTOR OPTIONS (on back page)

Suffix "SYM" after cat. no. for post powder coated SYMMETRIC reflector.
 Suffix "SYM3" after cat. no. for post powder coated SYMMETRIC reflector.
 Suffix "ASYM1" after cat. no. for post powder coated ASYMMETRIC reflector.
 Suffix "ASYM2" after cat. no. for post powder coated ASYMMETRIC reflector.
 Suffix "ASYM3" after cat. no. for post powder coated ASYMMETRIC reflector.
 Suffix "DL" after cat. no. for damp location.
 Suffix "XTA" after cat. no. for XTRALUME® reflector standard with 85% reflectance, for 95% reflectance please specify your requirements.

ORDERING DATA

Series 200 T2 Sub-Micro Strip			
Catalog No.	No. & Lamp Wattage	Length	Wt.
200-6	1-6W-T2	8 ³ / ₄ "	1
200-8	1-8W-T2	12 ³ / ₄ "	1 ¹ / ₂
200-11	1-11W-T2	16 ³ / ₄ "	2
200-13	1-13W-T2	20 ³ / ₄ "	2 ¹ / ₂
200-28	2-8W-T2	25 ³ / ₄ "	3
200-8/11	1-8W & 1-11W-T2	29 ³ / ₄ "	3
200-211	2-11W-T2	33 ³ / ₄ "	3 ¹ / ₂
200-11/13	1-11W & 1-13W-T2	37 ³ / ₄ "	4 ¹ / ₂
200-213	2-13W-T2	41 ³ / ₄ "	5

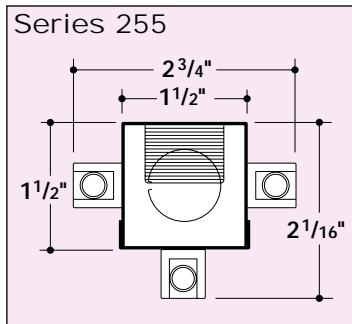
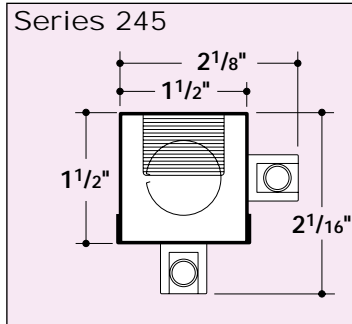
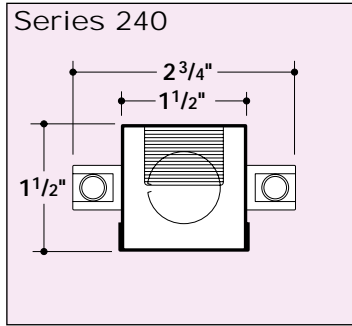
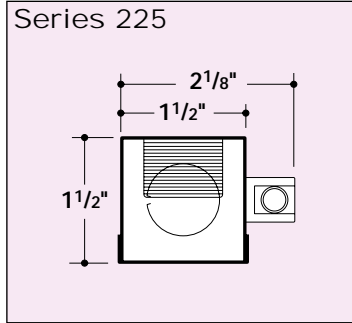
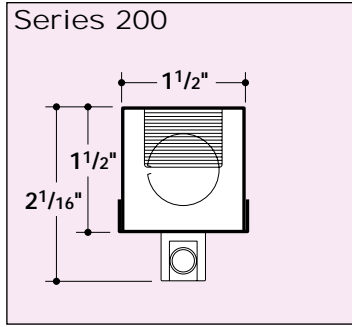
Series 225 T2 Sub-Micro Side Strip			
Catalog No.	No. & Lamp Wattage	Length	Wt.
225-6	1-6W-T2	8 ³ / ₄ "	1
225-8	1-8W-T2	12 ³ / ₄ "	1 ¹ / ₂
225-11	1-11W-T2	16 ³ / ₄ "	2
225-13	1-13W-T2	20 ³ / ₄ "	2 ¹ / ₂
225-28	2-8W-T2	25 ³ / ₄ "	3
225-8/11	1-8W & 1-11W-T2	29 ³ / ₄ "	3
225-211	2-11W-T2	33 ³ / ₄ "	3 ¹ / ₂
225-11/13	1-11W & 1-13W-T2	37 ³ / ₄ "	4 ¹ / ₂
225-213	2-13W-T2	41 ³ / ₄ "	5

Series 240 T2 Sub-Micro Double Side Strip			
Catalog No.	No. & Lamp Wattage	Length	Wt.
240-26	2-6W-T2	8 ³ / ₄ "	1
240-28	2-8W-T2	12 ³ / ₄ "	1 ¹ / ₂
240-211	2-11W-T2	16 ³ / ₄ "	2
240-213	2-13W-T2	20 ³ / ₄ "	2 ¹ / ₂
240-48	4-8W-T2	25 ³ / ₄ "	3
240-28/211	2-8W & 2-11W-T2	29 ³ / ₄ "	3
240-411	4-11W-T2	33 ³ / ₄ "	3 ¹ / ₂
240-211/213	2-11W & 2-13W-T2	37 ³ / ₄ "	4 ¹ / ₂
240-413	4-13W-T2	41 ³ / ₄ "	5

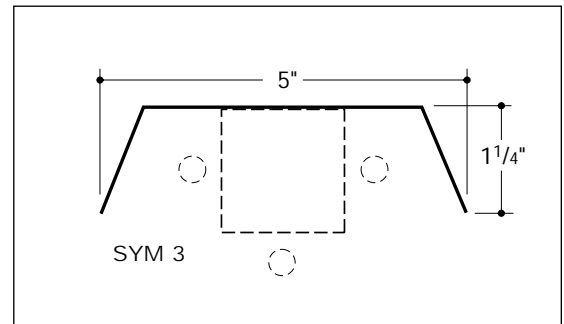
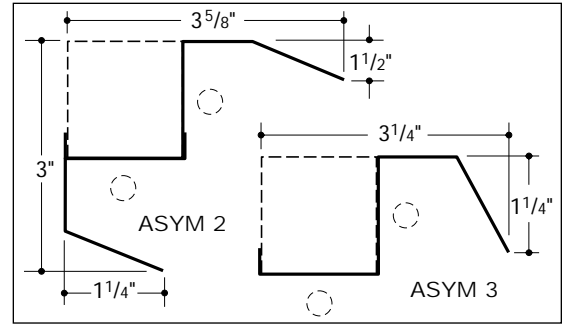
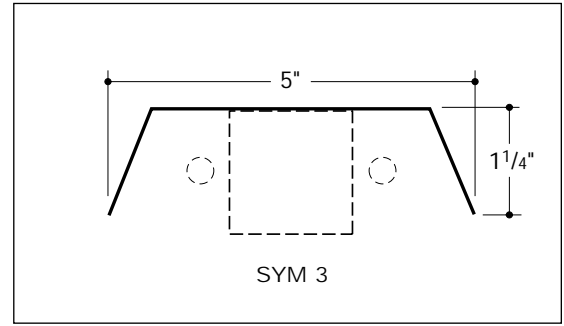
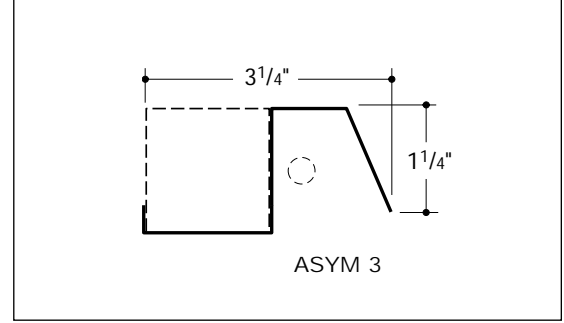
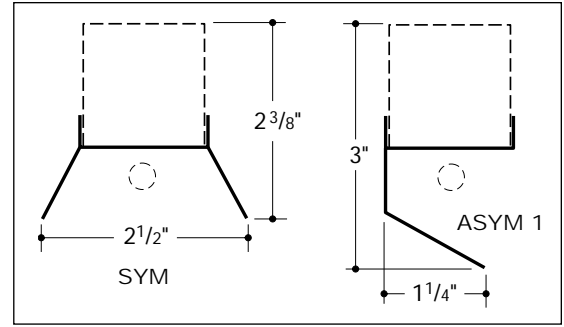
Series 245 T2 Sub-Micro Right Angle Strip			
Catalog No.	No. & Lamp Wattage	Length	Wt.
245-26	2-6W-T2	8 ³ / ₄ "	1
245-28	2-8W-T2	12 ³ / ₄ "	1 ¹ / ₂
245-211	2-11W-T2	16 ³ / ₄ "	2
245-213	2-13W-T2	20 ³ / ₄ "	2 ¹ / ₂
245-48	4-8W-T2	25 ³ / ₄ "	3
245-28/211	2-8W & 2-11W-T2	29 ³ / ₄ "	3
245-411	4-11W-T2	33 ³ / ₄ "	3 ¹ / ₂
245-211/213	2-11W & 2-13W-T2	37 ³ / ₄ "	4 ¹ / ₂
245-413	4-13W-T2	41 ³ / ₄ "	5

Series 255 T2 Sub-Micro Multi Strip			
Catalog No.	No. & Lamp Wattage	Length	Wt.
255-313	3-13W-T2	20 ³ / ₄ "	2 ¹ / ₂
255-68	6-8W-T2	25 ³ / ₄ "	3
255-38/311	3-8W & 3-11W-T2	29 ³ / ₄ "	3
255-611	6-11W-T2	33 ³ / ₄ "	3 ¹ / ₂
255-311/313	3-11W & 3-13W-T2	37 ³ / ₄ "	4 ¹ / ₂
255-613	6-13W-T2	41 ³ / ₄ "	5

CROSS SECTIONS



REFLECTOR OPTIONS (see front page)



FOR PHOTOMETRIC DATA CONSULT FACTORY
 Information supplied primarily for illustrative purposes, subject to change.
 Consult factory for verification and minimum quantity orders.

