

APPLICATIONS

The Vandalex® L.E.D. Cube is made for L.E.D. Light Emitting Diodes. A quality vandal proof luminaire engineered with high efficiency energy saving L.E.D. technology.

Designed for use in residential exteriors, entryways, walkways, stairways and perimeters, parking garages, and wet industrial commercial spaces.



SPECIFICATIONS

HOUSING: Die cast heavy gauge aluminum exterior back housing.

REFLECTOR/COMPONENT PLATE: Die formed of code gauge steel and mounted securely to fixture housing.

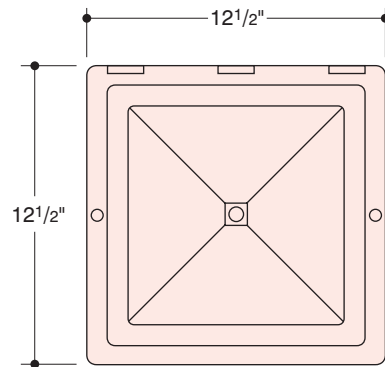
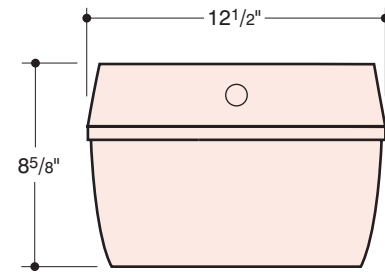
ELECTRICAL: L.E.D. Drivers, as required for specific lamps. 118 Volt 60 Hz. Other voltages available. CONSULT FACTORY.

MOUNTING: Ceiling or wall mounting for indoor or outdoor areas.

DIFFUSER/SECURITY: Injection molded, clear prismatic .125" Lexan® polycarbonate. Integral molded structural supports for maximum structural strength and ultra-violet inhibitors to minimize discoloring. Fully neoprene gasketed for moisture and dustproof. Tamperproof stainless steel screws (Torx, center pin type) optional secure the diffuser to the housing at four (4) points.

FINISH: Aluminum die cast exterior with chip and fade resistant architectural bronze finish. All steel component parts are completely protected against rust and discoloration by an Anchored Process and coated with a five stage powder coated Dura White finish for maximum durability, providing a high reflectance efficiency.

CERTIFICATION: The VANDALEX® L.E.D. CUBE is CSA listed for Damp Locations ("DL") and Wet Locations ("WL") for ceiling applications only, and bears the label of the I.B.E.W./AFL-CIO, Local #3.



TOP

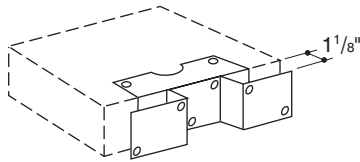
VANDALEX® and LEGION® are registered trademarks of LEGION LIGHTING CO., INC.
LEXAN® is a trademark of General Electric.

ORDERING DATA

Cat. No.	No. and Type Lamps	Socket Base	Wt.
LED - LIGHT EMITTING DIODE			
1712-1W25-UBP	25 Watts REPLACEMENT 2-26W	Self Contained	9
1712-3W12-UBP	36 Watts REPLACEMENT 2-42W		9
1712-3W16-UBP	48 Watts REPLACEMENT 100MH		10
1712-5W12-UBP	60 Watts REPLACEMENT 150MH		10
1712-5W16-UBP	80 Watts REPLACEMENT 175MH		10

ACCESSORIES - Optional

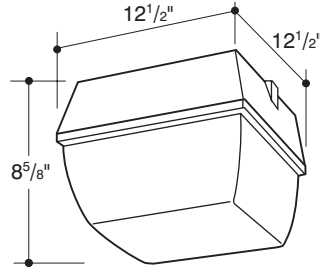
- TPSDT** Tamperproof Torx screwdriver
- 1712-BKT** Wall Bracket



Wall Bracket

OPTIONS

Suffix "IR" for Internal Reflector Hood.
 Suffix "DL" for Damp Location.
 Suffix "WL" for Wet Location (Ceiling mount only).
 Suffix "20, 40 or 60" Degree optics and specify your choice.



L.E.D. Module
 Available with Optional 20, 40 or 60 degree optic
 See OPTIONS

PHOTOMETRICS

CONSULT FACTORY

Information supplied primarily for illustrative purposes, subject to change.
 Consult factory for verification and minimum quantity orders.