

APPLICATIONS

The Vandalex® H.I.D. Cube is made for High Pressure Sodium and Metal Halide lamps. A quality vandal proof luminaire engineered with high efficiency, broad beam patterns and excellent visual uniformity. Designed for high abuse areas such as Correctional facilities, Parking Garages, Recreation Areas, Public Buildings, Schools, Hotels, Hospitals and Shopping Malls.



SPECIFICATIONS

HOUSING: Die cast heavy gauge aluminum exterior back housing. Interior housing formed of 16 gauge steel, rigidly fabricated, to insure true and perfect alignment.

REFLECTOR/COMPONENT PLATE: Die formed of code gauge steel and mounted securely to fixture housing.

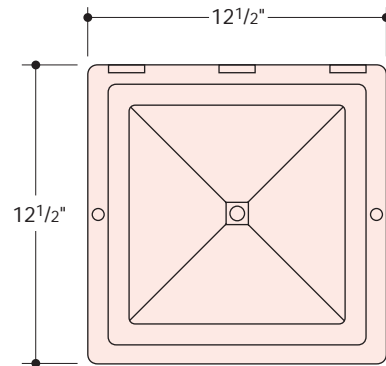
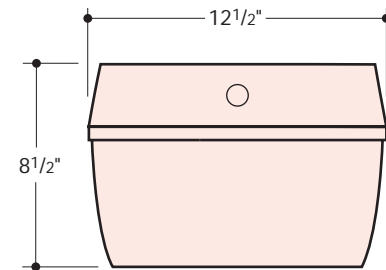
ELECTRICAL: Medium base sockets of glazed porcelain with nickel plated interior and ballast for one High Pressure Sodium NPF 100W, 150W, or Metal Halide HX-HPF 100W or 150W for E17, or 175W Mogul base socket for E28 lamp, 118 volt 60 Hz. Other voltages available. (CONSULT FACTORY).

MOUNTING: Ceiling or wall mounting for indoor or outdoor areas.

DIFFUSER/SECURITY: Injection molded, clear prismatic .125" Lexan® polycarbonate. Integral molded structural supports for maximum structural strength and ultraviolet inhibitors to minimize discoloring. Fully neoprene gasketed for moisture and dustproof. Tamperproof stainless steel screws (Torx, center pin type) secure the diffuser to the housing at four (4) points.

FINISH: Aluminum die cast exterior with chip and fade resistant architectural bronze finish. All steel component parts are completely protected against rust and discoloration by an Anchored Process and coated with a five stage powder coated Dura White finish for maximum durability, providing a high reflectance efficiency.

CERTIFICATION: The VANDALEX® H.I.D. CUBE is U.L. and C.U.L. listed for Damp Locations ("DL") and Wet Locations ("WL") for ceiling applications only, and bears the label of the I.B.E.W./AFL-CIO, Local #3.



TOP

VANDALEX® and LEGION® are registered trademarks of LEGION LIGHTING CO., INC. LEXAN® is a trademark of General Electric.

ORDERING DATA

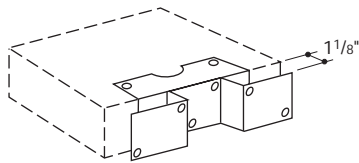
Cat. No.	No. and Type Lamps	Socket Base	Wt.
HIGH PRESSURE SODIUM			
1712-1100HPS-UBP	1-100W-HPS-E17-S54	Med.	13
1712-1150HPS-UBP	1-150W-HPS-E17-S55	Med.	14
METAL HALIDE			
1712-1100MH-UBP	1-100W-MH-E17-M90	Med.	17
1712-1150MH-UBP	1-150W-MH-E17-M81	Med.	18
1712-1175MH-UBP	1-175W-MH-E17-M57	Med.	18

OPTIONS

Suffix "IR" for Internal Reflector Hood.
 Suffix "WH" for White Diffuser.
 Suffix "HPF" for HPS only (High Pressure Sodium).
 Suffix "DL" for Damp Location.
 Suffix "WL" for Wet Location (Ceiling mount only).

ACCESSORIES

TPSDT Tamperproof Torx screwdriver
1712-BKT H.I.D. Wall Bracket



HID Wall Bracket

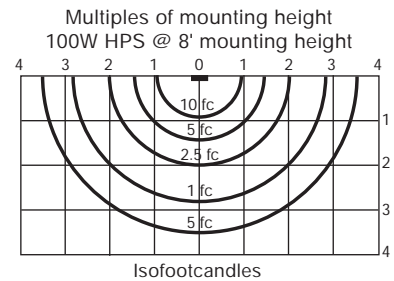
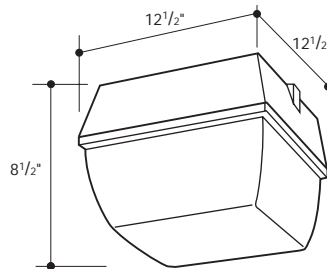
PHOTOMETRICS

Multipliers for Different Mounting Heights

Mounting Height	9'	10'	12'	14'
Multiply by	.9	.8	.7	.6

Multipliers for Different Wattages

Wattage	HPS		Metal Halide		
	100	150	100	150	175
Multiply by	.6	1.0	.5	.84	.94



Information supplied primarily for illustrative purposes, subject to change.
 Consult factory for verification and minimum quantity orders.