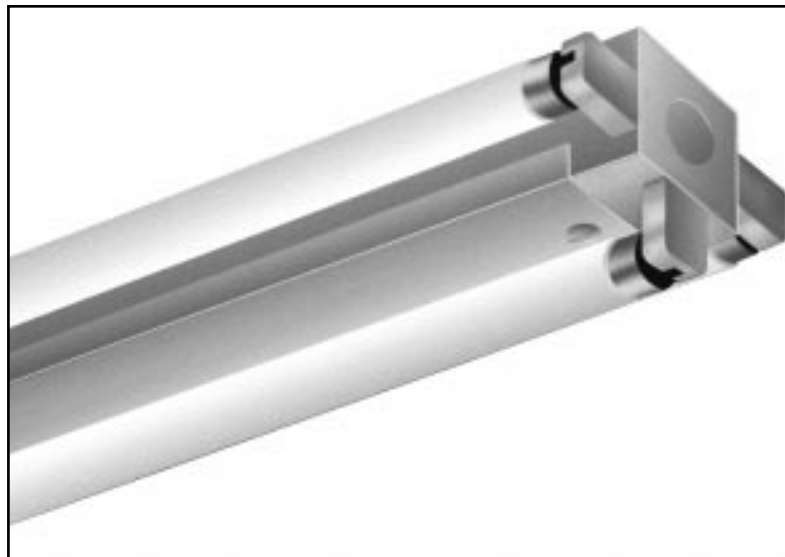


APPLICATIONS

MICRO-MULTI SIDE STRIP® offers the specifier for the first time, the smallest electronic ballasted strip. This Ultra Low Profile design opens new vistas and allows greater flexibility for the designer heretofore only accomplished with strips with remote ballast.

The Micro compact design occupies minimum space providing high lumen output, T5 lamps, energy and installation saving, and impressive color rendering availability. Quality components, welded construction, post powder coated finish, assuring a long trouble free life.



SPECIFICATIONS

CONSTRUCTION: 20 gauge cold rolled prime steel, die formed and electrically welded to insure true and perfect alignment.

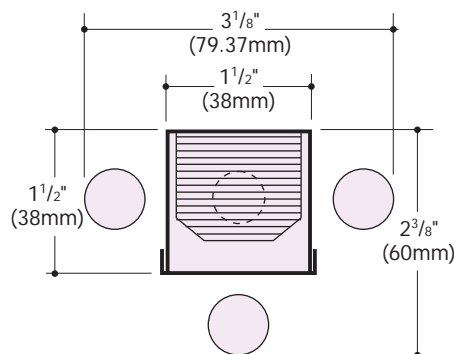
MOUNTING: For individual or continuous rows, for continuous mounting, $\frac{5}{8}$ " dia. (16mm) end knockouts may be removed and units joined together, $\frac{7}{8}$ " dia (22mm) knockouts and $\frac{1}{4}$ " dia. (6mm) mounting holes provided on back. Optional $\frac{3}{8}$ " greenfield conduit connection fitting available, see OPTIONS.

ELECTRICAL: 1 and 2 lamp T5 rapid quick-start 460MA for 14W, 21W, 28W and 35W and 430MA to 300MA for 24W, 39W, 54W and 80W T5HO Electronic High Power Factor, Class "A" sound rated, < 10% THD (less than 10% Total Harmonic Distortion). U.L. and CSA, FCC Listed Type 1 for 118V 60 Hz operation. Other voltages and frequencies available. CONSULT FACTORY.

FINISH: All steel component parts are completely protected against rust and discoloration after fabrication through an automated conveyerized multi-stage phosphate bonding process. Finished with an electrostatic baked white polyester thermosetting powder coating. This electronic computer controlled integrated system assures consistent 88%+ reflectance efficiency and maximum durability. Facia finished matte white standard, optionally finished walnut (see Options listing). Other painted finishes available to specification at additional cost, please consult factory and supply color chip.

CERTIFICATION: The MICRO-MULTI SIDE STRIP® Series 1675 is U.L. and C.U.L. listed and bears the label of the I.B.E.W./AFL-CIO, Local #3. Optionally U.L. and C.U.L. listed for damp locations "DL".

Due to the very nature of coves and enclosed areas, the heat ambience temperature must be considered when designing and installing in confined spaces, so that the spaces are adequately ventilated to provide heat dissipation and air circulation to prevent ballast cycling, failure, or reduced ballast and lamp life.



MICRO-MULTI SIDE STRIP®, XTRALUME® and LEGION® are trademarks of LEGION LIGHTING CO., INC.

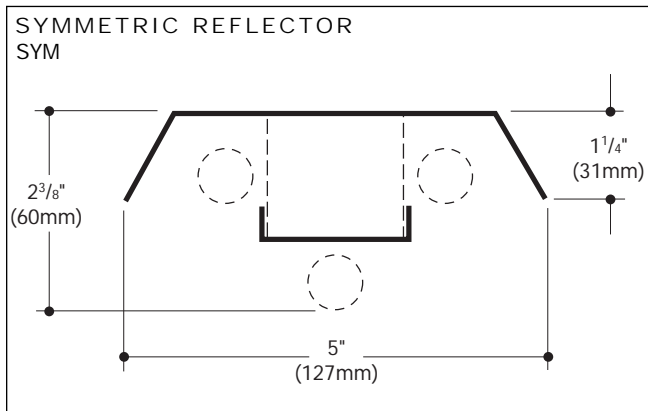
ORDERING DATA

Catalog No.	No. and Type Lamps	"A" Dimensions			Wt. Lbs.
		Nom.	Inches	mm	
1675-314	3-F14T5	2 ft.	22 ³ / ₈ "	568	5
1675-324HO	3-F24HOT5				
1675-321	3-F21T5	3 ft.	34 ¹ / ₄ "	870	7
1675-339HO	3-F39HOT5				
1675-328	3-F28T5	4 ft.	46"	1168	9
1675-354HO	3-F54HOT5				
1675-335	3-F35T5	5 ft.	57 ⁷ / ₈ "	1470	10
1675-380HO	3-F80HOT5				
1675-321-6T	6-F21T5	6 ft.	68 ¹ / ₂ "	1740	14
1675-339HO-6T	6-F39HOT5				
1675-328-8T	6-F28T5	8 ft.	92"	2336	18
1675-354HO-8T	6-F54HOT5				

OPTIONS

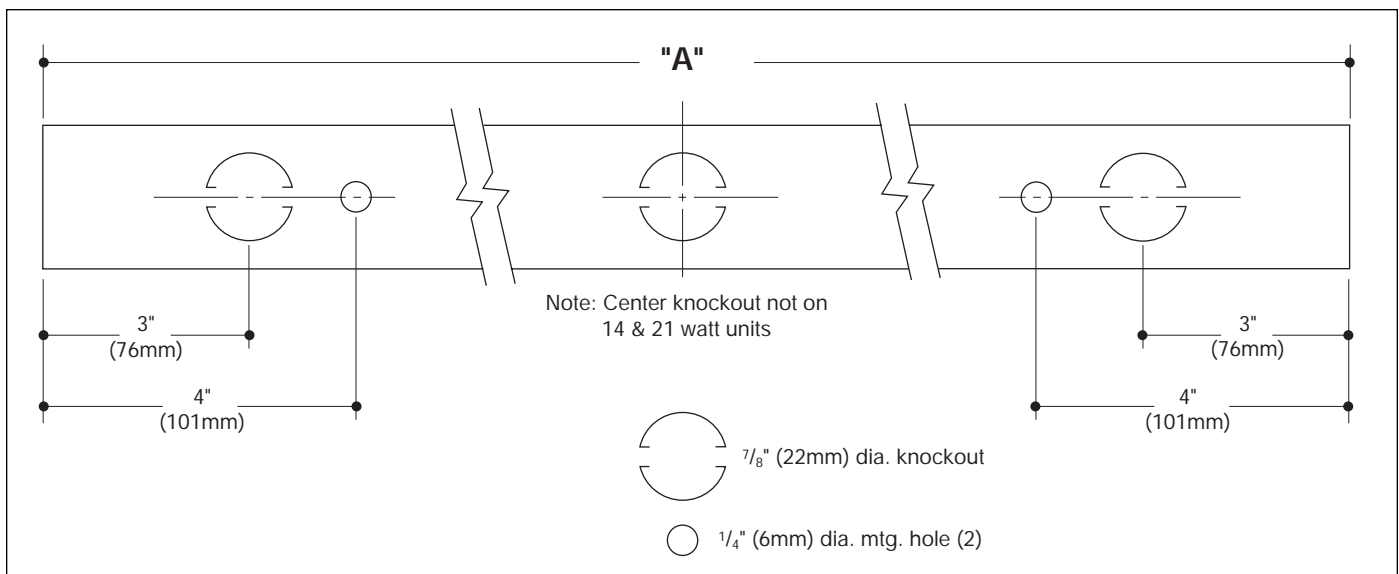
- Suffix "DIM" after catalog no. for dimming ballast.
 - Suffix "LT" after catalog no. for cold weather ballast.
 - Suffix "DL" after catalog no. for damp location.
 - Suffix "EM" after catalog no. for emergency battery pack, see price list for types and consult factory.
 - Suffix "XTA" after catalog no. for XTRALUME® reflector standard with 85% reflectance, for 95% reflectance please specify your requirements.
 - Suffix "SYM" after catalog no. for post powder coated white SYMMETRIC reflector.
 - Suffix "WG" after catalog no. for wire guard.
 - Suffix "GCC" after catalog no. for 3/8" greenfield/conduit connector.
 - Consult factory for availability of "WG" wire guard and minimum quantity order.
- Reflectors available in perforated metal, consult factory.**

REFLECTOR OPTIONS



Reflector configurations shown can be modified to specification. Consult factory for minimum quantity order.

BACK PLAN



FOR PHOTOMETRIC DATA CONSULT FACTORY.
Information supplied primarily for illustrative purposes, subject to change.
Consult factory for verification and minimum quantity orders.

