

## APPLICATIONS

The VAPORTRON® I Series 16 is an Enclosed and gasketed weather resistant and corrosion free fiber glass unit having no exposed metal parts to corrode. Ideally suited for exterior applications where water vapor or high humidity are present. Suitable for use in Food Processing areas, Swimming Pool Areas, Car Washes and Exterior Waiting areas.



## SPECIFICATIONS

**CONSTRUCTION:** Injection molded, rigid one piece, flame retardant reinforced polyester fiberglass enclosure, with robotically applied closed cell polyurethane gasketing which seals the diffuser to the enclosure.

**SHIELDING:** Molded one piece UV stabilized polycarbonate is standard. The diffuser is held in the closed position by corrosion resistant, replaceable, all plastic latches that snap on and require no tools. Other lenses and latches optionally available (see OPTIONS).

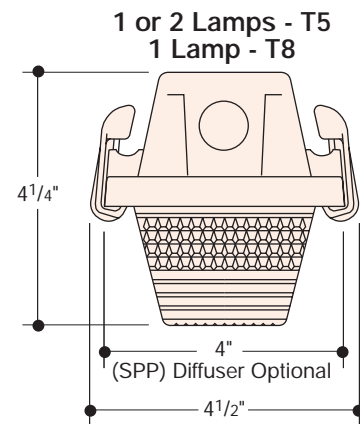
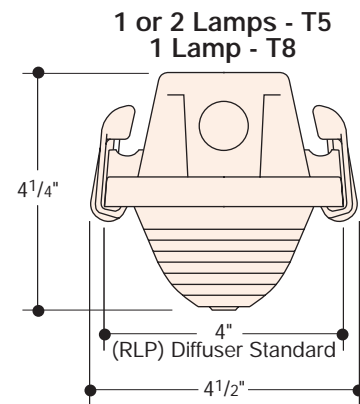
**INTERNAL HOUSING:** Heavy gauge internal full steel liner/cover for positive grounding and maximum protection and rigidity, finished high gloss baked white enamel (minimum 89% reflectance). All electrical components are readily removable for servicing.

**ELECTRICAL:** 1 and 2 lamp T5 rapid quick-start 460MA for 14W, 28W and 35W, and octic T8, 265MA Electronic High Power Factor, class "A" sound rated < 10% THD (Total Harmonic Distortion). U.L. listed Type 1 for 118 volt 60 Hz operation. Other voltages and frequencies available. CONSULT FACTORY.

**MOUNTING:** Suitable for individual or continuous rows, surface or pendant mounting. Embossments provided on back and ends, mounting and feed holes to be drilled at job site. PVC Plug is provided for sealing end holes. (See OPTIONS for additional accessories).

**CERTIFICATION:** The VAPORTRON® I Series 16 is U.L. and C.U.L. listed, and bears the label of the I.B.E.W./AFL-CIO, Local # 3. Optional "DL" & "WL" available see options

VAPORTRON® and LEGION® are registered trademarks of LEGION LIGHTING CO, INC.



**Optional Square Cornered Diffuser available:**  
**(SPA)**–Square Prismatic Acrylic (consult factory).  
**(SPP)**–Square Prismatic Polycarbonate (consult factory).



11/03

ORDERING DATA

Catalog No.	No. and Type Lamps	Nominal Dimensions	Wt.
16-114-RLP	1-F14T5	2 FT.	8
16-214-RLP	2-F14T5		
16-128-RLP	1-F28T5	4 FT.	13
16-228-RLP	2-F28T5		
16-135-RLP	1-F35T5	5 FT.	18
16-235-RLP	2-F35T5		
16-117-RLP EBO	1-FO17-OCT-T8	2 FT.	8
16-132-RLP EBO	1-FO32-OCT-T8	4 FT.	13
16-140-RLP EBO	1-FO40-OCT-T8	5 FT.	18

OPTIONS

LATCH OPTIONS

"EGIL" supplied standard.  
Suffix "EGSL" after catalog no. for stainless steel latch.

ACCESSORY OPTIONS

"EGP" end plug supplied standard.  
"NSF" gasketing supplied standard.  
Suffix "EGBB" after catalog no. for back mounting bracket (2)  
Suffix "EGDCB" after catalog no. for die cast bushing for 3/4" K.O.

SHIELDING OPTIONS

Type (RLP) Round Lineal Prismatic Polycarbonate standard.  
Type (RLA) Round Lineal Prismatic Acrylic optional-specify "RLA".  
Type (SPP) Square Prismatic Polycarbonate (CONSULT FACTORY)  
Type (SPA) Square Prismatic Acrylic (CONSULT FACTORY).

OPTIONS

Suffix "DL" after catalog no. for damp location.  
Suffix "WL" after catalog no. for wet location.  
Suffix "EM" after catalog no. for Emergency Battery Pack and see price list for types.

LATCH OPTIONS



**EGIL**  
Individual Standard Latch



**EGSL**  
Stainless Steel Latch

ACCESSORY OPTIONS



**EGDCB** - Die cast bushing for 3/4" K.O.  
**EGDCH** - Die cast bushing for 1" K.O.



**EGBB**  
Back mounting bracket (2 per kit)



**EGP**  
End plug, standard

PHOTOMETRICS

Consult Factory for Photometric Data

Information supplied primarily for illustrative purposes, subject to change.  
Consult factory for verification and minimum quantity orders.