

APPLICATIONS

The VAPORTRON® Series 14 is an enclosed and gasketed weather resistant and corrosion free fiberglass unit having no exposed metal parts to corrode. Ideally suited for exterior applications where water vapor or high humidity are present. Suitable for use in Food Processing areas, Laboratories, Exterior Canopys, Swimming Pool Areas, Car Washes and Exterior Waiting Areas. U.L. and C. U. L. listed for damp and wet locations.



SPECIFICATIONS

CONSTRUCTION: Molded one-piece, fiberglass reinforced polyester, with an impact strength of not less than 80 CMKP/CM3 and tensile strength of not less than 17,000 P.S.I. The housing is self-extinguishing according to ASTM 635-56D. All units have a continuously bonded neoprene gasket.

SHIELDING: One piece lens basket of high impact DR Acrylic plastic. The entire perimeter of the lens is mechanically sealed to the housing by means of a closed cell neoprene gasket which is continuously bonded to the housing to form a continuous seal for the lens. The lens is held in the closed position by six corrosion resistant, replaceable, all plastic latches that snap on and require no tools. Other lenses and latches optionally available (see OPTIONS).

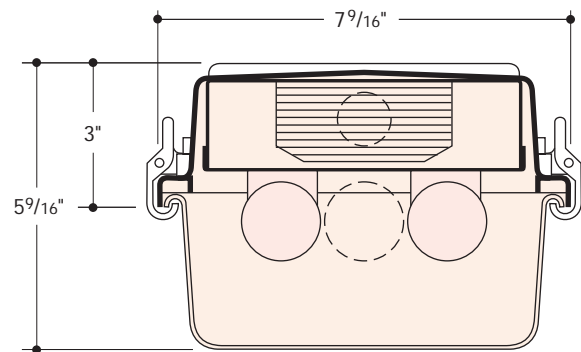
ELECTRICAL/HOUSING: 20 gauge internal full steel liner and cover for positive grounding and maximum protection and rigidity. All electrical components are readily removable for servicing. Thermally protected Class "P" Energy Saving Instant Start HPF 265MA-T8, 430MA-T12, Slimline 265MA-T8, High Output 800MA-T12, magnetic ballasts for 118V 60 Hz operation standard. Other electronic ballasts, other voltages and frequencies available (See OPTIONS listing and consult factory).

MOUNTING: Suitable for individual or continuous rows, surface mounting. Embossments provided on each end, mounting and feed holes to be drilled at job site. PVC Plug is provided for sealing end holes. (See OPTIONS for additional accessories).

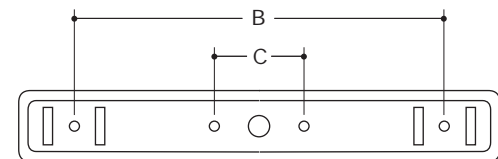
FINISH: Housing, permanent pearl grey color. Interior steel liner and component parts are completely protected against rust and discoloration after fabrication through an automated conveyerized multi-stage phosphate bonding process. Finished with an electrostatic baked white polyester thermosetting powder coating. This electronic computer controlled integrated system assures consistent 88%+ reflectance efficiency and maximum durability.

CERTIFICATION: The VAPORTRON® Series 14 is U.L. and C.U.L. listed, and bears the I.B.E.W.-AFL/CIO label. Optionally U.L. and C.U.L. listed for damp location "DL" and wet location "WL".

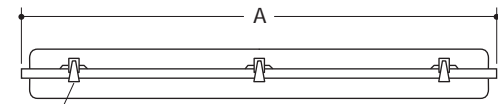
VAPORTRON® and LEGION® are registered trademarks of LEGION LIGHTING CO., INC.



1, 2 or 3 Lamps



BACK PLAN



SIDE VIEW

Plastic Cam Latch
(8 per 4 ft., 12 per 8 ft.)

- 1 1/2" dia. Boss
- 2" dia. Boss
- ▭ 1" x 4 1/2" Boss

DIMENSIONS			
Nom. Size	A	B	C
2 ft.	25 ¹³ / ₁₆ "	17 ¹ / ₂ "	-
4 ft.	49 ¹³ / ₁₆ "	38 ³ / ₄ "	-
8 ft.	97 ¹³ / ₁₆ "	86 ³ / ₄ "	40 ¹³ / ₁₆ "

ORDERING DATA

Catalog No.	No. and Type Lamps	Nominal Dims.	Wt.
★ 14-117-ACP EBO	1-FO17-OCT-T8 +50°	7 ⁹ / ₁₆ " x 25 ¹³ / ₁₆ "	10
★ 14-217-ACP EBO	2-FO17-OCT-T8 +50°		
14-132-ACP EBO	1-FO32-OCT-T8 +50°	7 ⁹ / ₁₆ " x 49 ¹³ / ₁₆ "	15
14-232-ACP EBO	2-FO32-OCT-T8 +50°		20
14-332-ACP EBO	3-FO32-OCT-T8 +50°		16
14-132-ACP	1-FO32-OCT-T8 -0°		21
14-232-ACP	2-FO32-OCT-T8 -0°		
14-332-ACP	3-FO32-OCT-T8 -0°		
14-196SL-ACP	1-75W-SL-T12 +50°	7 ⁹ / ₁₆ " x 97 ¹³ / ₁₆ "	34
14-296SL-ACP	2-75W-SL-T12 +50°		
14-196SL-ACP EBO	1-FO96-OCT-T8 +50°		
14-296SL-ACP EBO	2-FO96-OCT-T8 +50°		
14-196SL-LT-ACP	1-75W-SL-T12 -0°		38
14-296SL-LT-ACP	2-75W-SL-T12 -0°		
14-196SL-LT-ACP EBO	1-FO96-OCT-T8 -0°		34
14-296SL-LT-ACP EBO	2-FO96-OCT-T8 -0°		
14-196-HO-LT-ACP	1-110W-HO-T12 -20°		39
14-296-HO-LT-ACP	2-110W-HO-T12 -20°		

★ Suffix "LT" after catalog number for 0° ballast.

OPTIONS

LATCH OPTIONS

"EGIL" supplied standard.
 Suffix "EGTP" after catalog no. for tamper proof latch.
 Suffix "EGSL" after catalog no. for stainless steel latch.
 Suffix "EGSTP" after catalog no. for stainless steel latch, tamper proof.

ACCESSORY OPTIONS

"EGP" end plug supplied standard.
 "NSF" gasketing supplied standard.
 Suffix "EGDCB" after catalog no. for die cast bushing for 3/4" K.O.
 Suffix "EGTN" after catalog no. for 3 1/2" nipple.
 Suffix "EGBB" after catalog no. for back mounting bracket (2 per kit).
 Suffix "EGDCH" after catalog no. for die cast hub for 1" K.O.

SHIELDING OPTIONS

Type (ACP) Crepe Acrylic supplied standard.
 • Type (PAD) Prismatic Acrylic.
 • Type (PLD) Prismatic Lexan®.
 • Type (CADR) 100% DR Crepe Acrylic.
 • Type (PADR) 100% DR Prismatic Acrylic.
 • Type (OSAD) Opal Smooth Acrylic.
 • Type (CSAD) Clear Smooth Acrylic.
 • CONSULT FACTORY FOR AVAILABILITY AND MINIMUM QUANTITY.

OPTIONS

Suffix "DL" after catalog no. for damp location.
 Suffix "WL" after catalog no. for wet location.
 Suffix "EM" after catalog no. for Emergency Battery Pack and see price list for types.

ENERGY SAVING BALLASTS Where applicable (consult factory).
 Suffix "ESB" after catalog number, then / and then one of the following:

MAGNETIC

"SLH"-Super Low Heat T12 Ballast
 "OCT"-Octron T8 Ballast

ELECTRONIC

"EB"-Electronic T12 Ballast
 "EBO"-Electronic T8 Octron Ballast

LATCH OPTIONS



EGIL
Individual Standard Latch



EGTP
Tamper Proof Latch



EGSL
Stainless Steel Latch



EGSTP – Stainless Steel Latch, Tamper Proof

ACCESSORY OPTIONS



EGDCB – Die cast bushing for 3/4" K.O.
EGDCH – Die cast bushing for 1" K.O.



EGTN – 3 1/2" threaded nipple



EGBB – Back mounting bracket (2 per kit)



EGP – End plug, standard

Consult factory for special requirements and other options available.