

## APPLICATIONS

*Soft corner fluorescent wall bracket for personal care areas.*

*For use over cabinets, mirrors, vanities, in display cases, dressing rooms, bathrooms, kitchens, coves, corridors, hallways and stairwells.*

*Wide selection of lengths and lamping arrangements to fit any requirement.*



## SPECIFICATIONS

**CONSTRUCTION:** Die formed of heavy gauge cold rolled prime steel, rigidly fabricated, to insure true and perfect alignment.

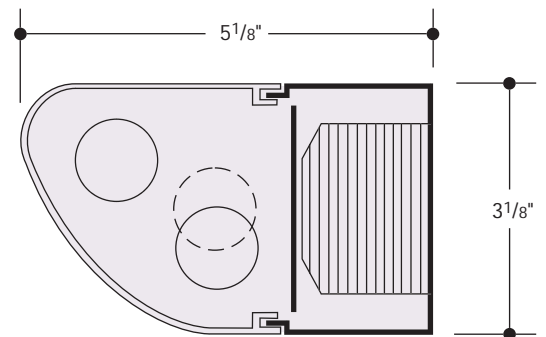
**SHIELDING:** One piece heavy gauge precision extruded white acrylic plastic, removable for relamping by removal of the end caps. Tight fit minimizes dust accumulation inside of lamp compartment.

**MOUNTING:** Ample knockouts and mounting holes for mounting individually or continuous on wall or ceiling, vertically or horizontally. Specify all continuous row lengths so that proper quantity of joiner bands can be provided. End caps are used at the end of rows, and on both ends of individual fixtures. Joiner bands are used at joint of fixtures in rows.

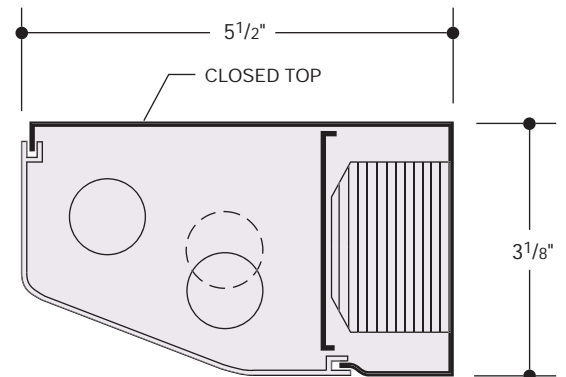
**ELECTRICAL:** Thermally protected class "P" Energy Saving Instant Start HPF 265MA-T8 electronic ballasts standard for 118V 60Hz operation. Other ballasts, voltages and frequencies available, consult factory. Consult factory for 40 and 50 watt (BIAX) Twin Tube Rapid Start availability.

**FINISH:** All steel components parts are completely protected against rust and discoloration by an Anchored Process and coated with 365° sprayed baked white synthetic enamel for maximum durability and shall provide high reflectance efficiency. Chrome finish available. See OPTIONS list.

**CERTIFICATION:** The WALL BRACKET Series 1194 & 1294 are U.L. and C.U.L. listed and bear the label of the I.B.E.W./AFL-CIO, Local #3.



**1294 Cross Section**



**1194 Cross Section**

ALL DIMENSIONS SHOWN ARE NOMINAL.

LEGION® is a registered trademark of LEGION LIGHTING CO., INC.

3/04

ORDERING DATA

Catalog No.	No. and Type Lamps	Nominal Length	Wt.
WH1294-115-ACW	1-15W-TS-T8	3 <sup>1</sup> / <sub>8</sub> " x 18 <sup>1</sup> / <sub>2</sub> "	6
★ WH1294-117-ACW EBO	1-FO17-OCT-T8	3 <sup>1</sup> / <sub>8</sub> " x 24 <sup>1</sup> / <sub>2</sub> "	6
★ WH1294-125-ACW EBO	1-FO25-OCT-T8	3 <sup>1</sup> / <sub>8</sub> " x 36 <sup>1</sup> / <sub>2</sub> "	9
★ WH1294-132-ACW EBO	1-FO32-OCT-T8	3 <sup>1</sup> / <sub>8</sub> " x 48 <sup>1</sup> / <sub>2</sub> "	10
★ WH1294-217-ACW EBO	2-FO17-OCT-T8	3 <sup>1</sup> / <sub>8</sub> " x 24 <sup>1</sup> / <sub>2</sub> "	7 <sup>1</sup> / <sub>2</sub>
★ WH1294-225-ACW EBO	2-FO25-OCT-T8	3 <sup>1</sup> / <sub>8</sub> " x 36 <sup>1</sup> / <sub>2</sub> "	10 <sup>1</sup> / <sub>2</sub>
★ WH1294-232-ACW EBO	2-FO32-OCT-T8	3 <sup>1</sup> / <sub>8</sub> " x 48 <sup>1</sup> / <sub>2</sub> "	11 <sup>1</sup> / <sub>2</sub>

Consult factory for 40 and 50 watt (BIAX) Twin-Tube Rapid Start availability. Change catalog no. to **1194** for closed top.

OCTRON™ is a registered trademark of SYLVANIA

OPTIONS

Suffix "DIM" after catalog no. for dimming ballast.  
 Suffix "LT" after catalog no. for cold weather ballast.  
 Suffix "EM" after cat. no. for emergency battery pack, see price list for types.

Suffix "DL" after catalog no. for damp location.  
 Suffix "GCO" after catalog no. for grounded convenience outlet.  
 Suffix "SW" after catalog no. for switch.

For CHROME finish, change prefix WH to CH.  
 For CLOSED TOP, change catalog no. to **1194**.

**ENERGY SAVING BALLASTS** Where applicable (consult factory).  
 Suffix "ESB" after catalog number, then / and then one of the following:

**MAGNETIC**

"OCT"-Octron T8 Ballast

**ELECTRONIC**

"EBO"-Electronic T8 Octron Ballast

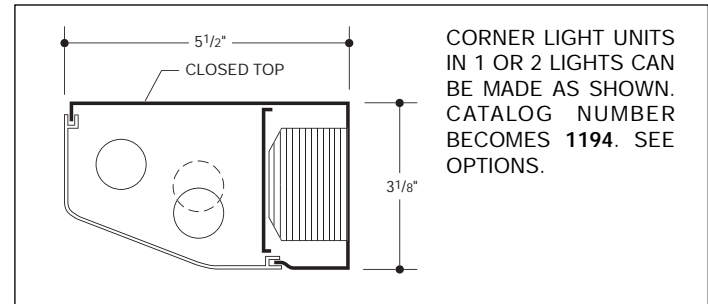
"EBDO"-Electronic T8 Dimming Ballast

As a Energy Star® Partner, Legion Lighting Co., Inc. has determined that the Series 1294 Wall Bracket Starred \* meets the Energy Star® guidelines for energy efficiency. Please consult factory for specific information.

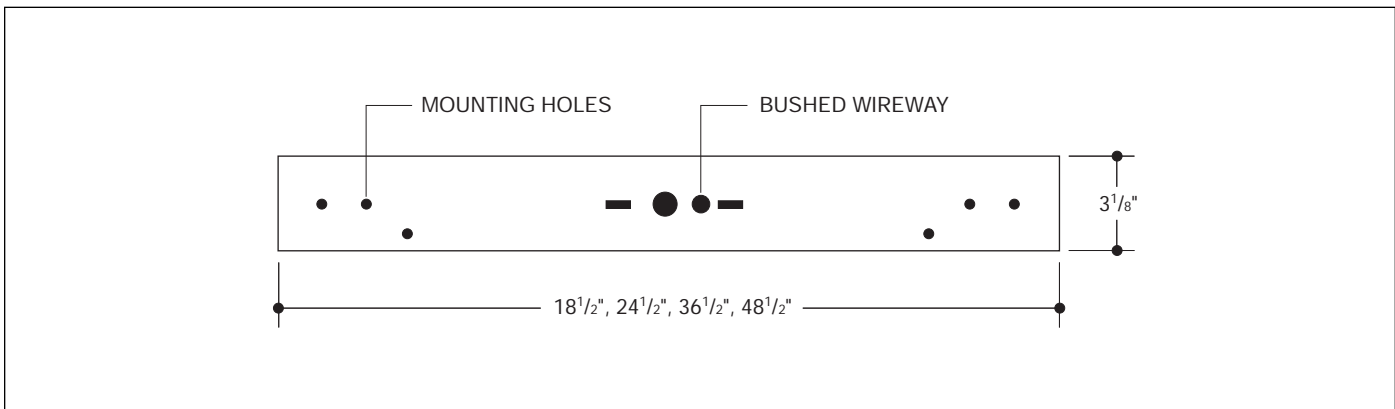


Energy Star® and Logo are registered trademarks of the U.S. Govt. and EPA.

CLOSED TOP



BACK PLAN



Information supplied primarily for illustrative purposes, subject to change.  
 Consult factory for verification and minimum quantity orders.

