

## APPLICATIONS

*A proven solution to outside all weather lighting. For Billboards, Store Windows, Service Stations, Highway Signs, Store Entrances, Building Facades and Loading Platform Areas, and Interior Hi-Tech & Nouveau Designs.*

*U.L. and C.U.L listed for wet and damp locations.*



## SPECIFICATIONS

**HOUSING:** High quality extruded aluminum .062" wall thickness with cast aluminum ends and enclosed wireway. Prewired at factory, eliminates remote wiring. No need to pull wire through each conduit. Cuts down considerably on labor and material costs. Eliminates junction boxes, and conduits, minimizes wire pulling.

**REFLECTOR:** Parabolic shaped housing finished baked white polyester powder coated white on the interior providing an 88% reflectance for maximum output efficiency. Full rotation of housing from 0°-360° adjustment. Two set screws and a neoprene washer permit rotation. Can be locked in position from the outside providing precise beam control on the surface to be illuminated.

**DIFFUSER:** Supplied with a clear acrylic plastic lens. Optionally available with a lip on the lens, which allows unit to be aimed upward, maintaining the UL/C.U.L. listing for wet locations. Suffix "LIP". See OPTIONS listing and consult factory.

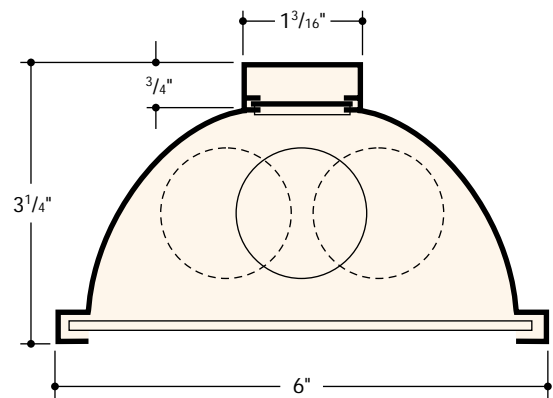
**ELECTRICAL:** Remote weatherproof ballast, High Output 800MA-T12, Very High Output 1500MA-T12, and Power Groove 1500MA-T17 for 118V 60 Hz operation, class "P". Remote non-weather proof ballast, Energy saving Instant Start HPF 265MA-T8, electronic ballasts for multi-voltage 120/277V 60Hz thermally protected class "P". Other voltages and frequencies available, consult factory.

**LAMP HOLDERS:** Spring loaded design with weatherproof rubber "O" Ring as required. Extra large splice boxes make for easier connections at each lampholder, splice boxes gasketed to keep weather out.

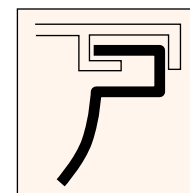
**MOUNTING:** Uses standard conduit fittings. Can be completely assembled on the ground or in the shop and mounted in position in a minimum of expensive field time. Electrical connections are simply made from lampholder to lampholder. Necessary splice boxes are provided for easy connection at each lampholder.

**FINISH:** Exterior post powder coated white. End castings and splice boxes mill finish aluminum with anodic coat. Consult factory for other finishes.

**CERTIFICATION:** The Series 11 is U.L. and C.U.L. listed for wet and damp locations, and bears the label of the I.B.E.W.-AFL/CIO, Local #3.



1 or 2 Lamps



**OPTIONAL LIP ON FLAT LENS  
ALLOWS UNIT TO BE AIMED  
\*UPWARD MAINTAINING  
THE U.L. LISTING.  
FOR WET LOCATIONS  
SEE OPTIONS LISTING**

**\*MUST DRILL WEEP  
HOLES IN HOUSING**

LEGION® is a registered trademark of LEGION LIGHTING CO., INC.

1/08



ORDERING DATA

Catalog No.	No. and Type Lamps	Nominal Dimensions	WT
★ 11-132 EBO	1-FO32-OCT-T8	6" x 48"	24
11-148 HO	1-60W-HO-T12		26
11-148 PG	1-110W-PG-T17		24
★ 11-232 EBO	2-FO32-OCT-T8		26
11-248 HO	2-60W-HO-T12		31
11-248 PG	2-110W-PG-T17	6" x 48" & 48"	33
★ 11-132-44 EBO	2-FO32-OCT-T8		29
11-148-44 HO	2-60W-HO-T12		31
11-148-44 PG	2-110W-PG-T17	6" x 72"	29
★ 11-125-6T EBO	2-FO25-OCT-T8		31
11-172 HO	1-85W-HO-T12		29
11-172 PG	1-160W-PG-T17		31
◆★ 11-225-6T EBO	4-FO25-OCT-T8		31
11-272 HO	2-85W-HO-T12	6" x 72" & 72"	30
11-272 PG	2-160W-PG-T17		40
★ 11-125-6T-66 EBO	4-FO25-OCT-T8		44
11-172-66 HO	2-85W-HO-T12	6" x 96"	32
11-172-66 PG	2-160W-PG-T17		34
★ 11-132-8T EBO	2-FO32-OCT-T8		44
◆★ 11-232-8T EBO	4-FO32-OCT-T8	6" x 96" & 96"	32
11-296 HO	2-85W-HO-T12		34
11-296 PG	2-160W-PG-T17		44
★ 11-132-8T-88 EBO	4-FO32-OCT-T8	6" x 96" & 96"	44
11-196-88 HO	2-110W-HO-T12		46
11-196-88 PG	2-215W-PG-T17		

When ordering PG (Power Groove 1500MA) Specify T12 or T17, T10 or T10J lamps. PG (1500MA) Supplied standard for T12 VHO/SHO - if other specify T17, T10 or T10J lamps.

SUPPLIED WITH FIXTURE:

CSB-11 cast splice box connector included with fixture. Cast aluminum splice box threaded for 3/4" conduit, used on ends or as centers. For individual units 2 are needed. Remote weatherproof ballast included with fixtures not starred.

★ FO25-OCT EBO-0°, and FO32-OCT EBO-0° ballasts are in non-outdoor, non-weatherproof ballast boxes (for indoor mounting only). All others include remote weather proof ballasts.

◆ Consult factory for availability.

**ALL UNITS ARE AVAILABLE FOR T5 LAMPS – CONSULT FACTORY WITH WATTAGE REQUIREMENTS.**

OPTIONS

Suffix "LIP" to catalog no. for \*Lip Acrylic Plastic Lens.

\*Must drill weep holes in housing

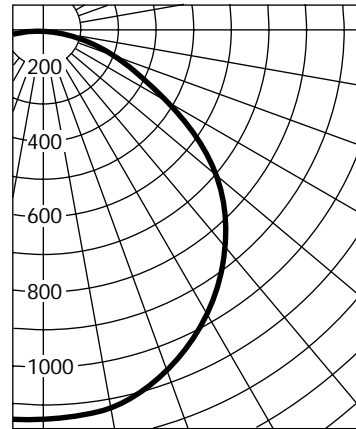
● ENERGY SAVING BALLAST

- "EB"-Electronic T12 Ballast
- "EBO"-Electronic T8 Octron Ballast
- "EBD"-Electronic T12 Dimming Ballast
- "EBDO"-Electronic T8 Dimming Ballast

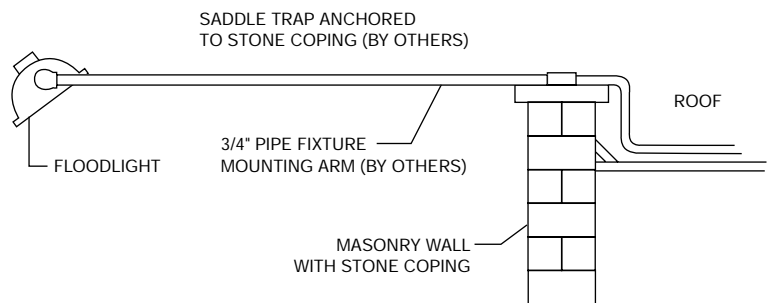
● All FO25-OCT EBO-0°, and FO32-OCT EBO-0° ballasts are in non-outdoor, non-weatherproof ballast boxes (for indoor mounting only).

PHOTOMETRIC DATA

CANDLEPOWER DISTRIBUTION FOR F96T12CW H.O. LAMP

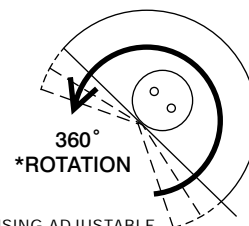
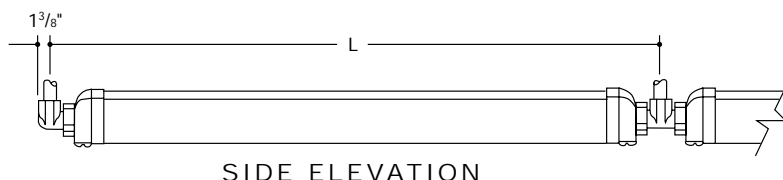


MOUNTING DETAILS



Conduit Mounting		
Center to Center Distances		
Cat. No.	L	Applications
11-4	50 1/2"	For 4' Lamps
11-6	74 1/2"	For 6' Lamps
11-8	98 1/2"	For 8' Lamps

Housings supplied in 4', 6' or 8' lengths coupled together in field by installer.



Information supplied primarily for illustrative purposes, subject to change. Consult factory for verification and minimum quantity orders.